

THIS DRAWING IS UNPUBLISHED.

RELEASED FOR PUBLICATION

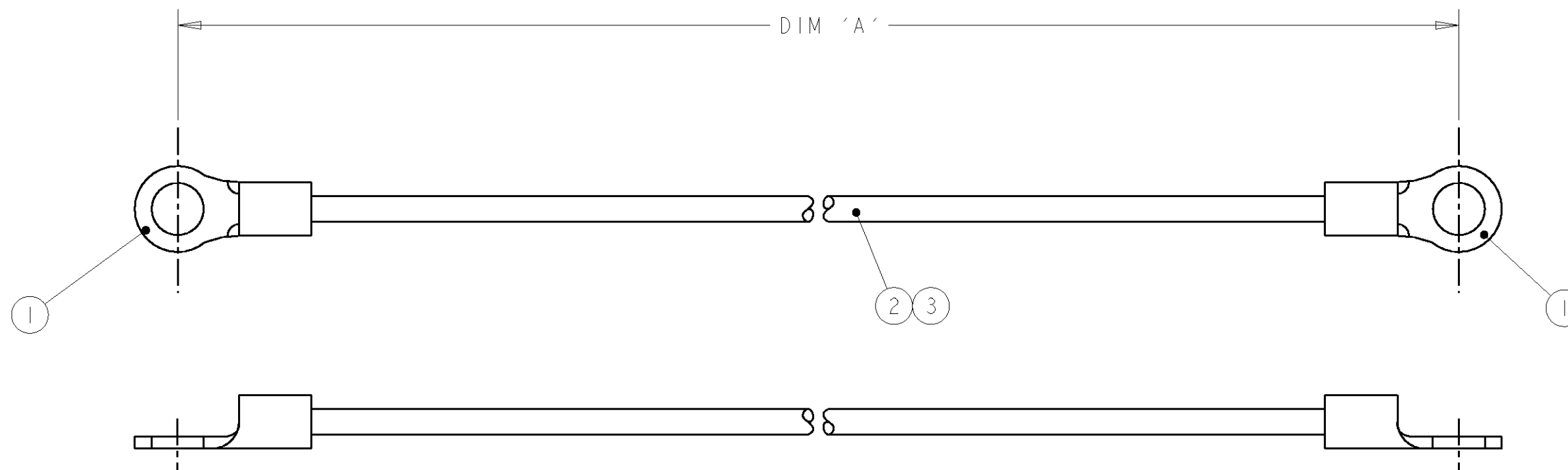
20

© COPYRIGHT 20

BY TYCO ELECTRONICS CORPORATION. ALL RIGHTS RESERVED.

LOC	DIST	REVISIONS					
E	B	P	LTR	DESCRIPTION	DATE	DWN	APVD
			I	FIRST ISSUE	02JAN01	RC	JJ
			A	EBD0-0334-04	29SEP2004	RS	NC

ITEM NO	DESCRIPTION	QTY/ ASSY
1	SOLISTRAND RING TONGUE / 22-16 AWG	2
2	BRAIDED CABLE - 0.5mm ²	A/R
3	HEATSHRINK - RNF-100 BLACK	A/R



200 ±5	1337708-3
150 ±5	1337708-2
100 ±5	1337708-1
DIM 'A'	TYCO PART NUMBER

THIS DRAWING IS A CONTROLLED DOCUMENT FOR TYCO ELECTRONICS CORPORATION
IT IS SUBJECT TO CHANGE AND THE CONTROLLING ENGINEERING ORGANIZATION
SHOULD BE CONTACTED FOR THE LATEST REVISION.

DIMENSIONS: mm	TOLERANCES UNLESS OTHERWISE SPECIFIED: 0 PLC ±- 1 PLC ±0.1 2 PLC ±0.01 3 PLC ±0.005 4 PLC ±0.0001 ANGLES ±-	DWN R.CHURCHILL 02JAN2001 CHK D.CHICK 02JAN2001 APVD J.JEWELL 02JAN2001	tyco Electronics	AMP of Great Britain Ltd., Stanmore, Middlesex, HA7 4RS.
MATERIAL -	FINISH -	PRODUCT SPEC - APPLICATION SPEC - WEIGHT -	NAME 0.5mm CSA BRAID M3-M3	RESTRICTED TO -
CUSTOMER DRAWING		SIZE A3	CAGE CODE 00779	DRAWING NO C-1337708
		SCALE NTS	SHEET 1 OF 1	REV A