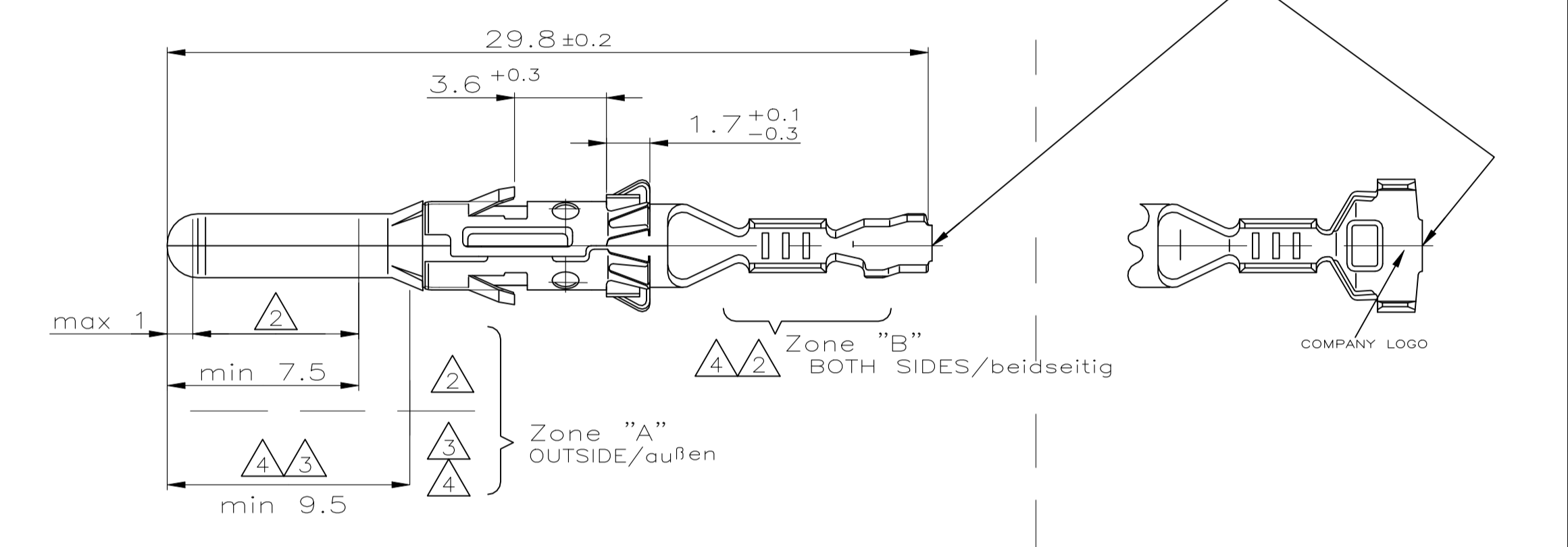


Version B (SINGLE WIRE SEAL-SYSTEM / Einzel-Dichtungs-System)

TE CONNECTIVITY ORDER-Nr.	TE CONNECTIVITY ORDER-Nr.	REV.	MATERIAL Werkstoff	SURFACE Oberfläche	DGB [mm ²]	WIRE CRIMP Drahtcrimp	INSUL.-CRIMP Isol.-Crimp	WIRE CRIMP HEIGHT CH Drahtcrimp-Höhe CH	APPLICATION TOOL Anschlag-WKZ	HAND TOOL Handzange	A	B	C	TE CONNECTIVITY ORDER-Nr. SINGLE SEAL Einzeldichtung	TE CONNECTIVITY ORDER-Nr. DEAD END PLUG Blindstopfen	
1-962800-4	1-962973-4	A	CuNiSi	A	>2.5-4.0 FLR	E = 4.3	H = 5.4	4.0mm ² = 2.30	MQC-Applicator 4151297-X	-	4	6.9	8.5	828985-1	-	
962800-7	962973-7	K				G = 4.5	K = 5.9	3.0mm ² = 2.05								
962800-1	962973-1	K				D _{cr} = 2.4	D = 3.9									
1-929968-4	1-962972-4	A	CuNiSi	A	>1.0-2.5 FLR	E = 3.6	H = 5.0	2.5mm ² = 1.97	MQC-Applicator 539679-2	1579024-5	4	6.9	8.5	828921-1	828922-1	
929968-8	962972-8	M				G = 3.8	K = 5.0	2.0mm ² = 1.82								
929968-1	962972-1	M				D _{cr} = 1.7	D = 3.6	1.5mm ² = 1.67								
1-929967-4	1-962971-4	A	CuNiSi	A	0.5-1.0 FLR	E = 2.6	H = 4.8	1.0mm ² = 1.45	MQC-Applicator 734289-1	1579024-3	3	5.4	7	828920-1	828922-1	
929967-8	962971-8	M				G = 2.8	K = 4.8	0.75mm ² = 1.36								
929967-7	962971-7	M				D _{cr} = 1.1	D = 3.2	0.5mm ² = 1.27								
1-929966-4	1-962970-4	A	CuNiSi	A	0.2-0.4 FLR	E = 2.1	H = 4.5	0.35mm ² = 1.11	MQC-Applicator 2-878484-2	1579024-3	3	5.4	7	828920-1	828922-1	
929966-8	962970-8	M				G = 2.1	K = 4.5									
929966-7	962970-7	M				D _{cr} = 0.8	D = 3.2									



REMARKS
 Bemerkungen

1 **PRE TINNED** 1-2µm
 vorverzinnt

2 **ZONE "A":** MIN 0.8µm ELECTROPL. Au OVER MIN 1.3µm ELECTROPL. Ni LAYER
 min 0.8µm galv. Au über min 1.3µm galv. Ni
ZONE "B": 1-2µm ELECTROPL. Sn OVER MIN 0.1µm ELECTROPL. Ni
 1-2µm galv. Sn über min 0.1µm galv. Ni
REST: min 0.1µm ELECTROPL. Ni
 min 0.1µm galv. Ni

3 **ZONE "A":** MIN 3µm ELECTROPL. Ag
 min 3µm galv. Ag
REST: min 0.5µm ELECTROPL. Ag
 min 0.5µm galv. Ag

4 **ZONE "A":** MIN 3µm ELECTROPL. Ag
 min 3µm galv. Ag
ZONE "B": 1-3µm ELECTROPL. Sn
 1-3µm galv. Sn
REST: SILVER OR TIN ALLOWED IN TRANSITION AREAS.OVERLAPPING LAYERS
 AND PLAIN SURFACES ARE NOT ALLOWED.
 Silber oder Zinn im Übergangsbereich erlaubt.
 überlagernde Schichten oder blanke Stellen sind nicht erlaubt.

5 **AT AREA OF TOP OPENING PERMITTED**
 Im Bereich der Spitze Öffnung zulässig

6 **AVAILABILITY MUST BE CHECKED BY TE CONNECTIVITY**
 Verfügbarkeit ist von TE CONNECTIVITY zu prüfen

Version A (UNSEALED / ungedichtet)

TE CONNECTIVITY ORDER-Nr.	TE CONNECTIVITY ORDER-Nr.	REV.	MATERIAL Werkstoff	SURFACE Oberfläche	DGB [mm ²]	WIRE CRIMP Drahtcrimp	INSUL.-CRIMP Isol.-Crimp	WIRE CRIMP HEIGHT CH Drahtcrimp-Höhe CH	APPLICATION TOOL Anschlag-WKZ	HAND TOOL Handzange	A	B	C	
1-929965-4	1-962969-4	A	CuNiSi	A	>2.5-4.0 FLR	E = 4.3	H = 5.4	4.0mm ² = 2.30	MQC-Applicator 734285-3	734289-3	4	5.5	8.5	
929965-8	962969-8	J				G = 4.5	K = 5.6	3.0mm ² = 2.05						
929965-7	962969-7	J				D _{cr} = 2.4	D = 3.2							
929965-1	962969-1	J												
1-929964-4	1-962968-4	A	CuNiSi	A	>1.0-2.5 FLR	E = 3.6	H = 4.3	2.5mm ² = 1.97	MQC-Applicator 2-878482-2	734285-2	4	5.5	8.5	
929964-8	962968-8	J				G = 3.8	K = 4.5	2.0mm ² = 1.82						
929964-7	962968-7	J				D _{cr} = 1.7	D = 2.6	1.5mm ² = 1.67						
929964-1	962968-1	J												
1-929963-4	1-962967-4	A	CuNiSi	A	0.5-1.0 FLR	E = 2.6	H = 3.2	1.0mm ² = 1.45	MQC-Applicator 2-878481-2	734285-1	3	4.5	7	
929963-8	962967-8	L				G = 2.8	K = 3.4	0.75mm ² = 1.36						
929963-7	962967-7	L				D _{cr} = 1.1	D = 1.8	0.5mm ² = 1.27						
929963-1	962967-1	L												
1-929962-4	1-962966-4	A	CuNiSi	A	0.2-0.4 FLR	E = 2.1	H = 2.5	0.35mm ² = 1.11	MQC-Applicator 2-878480-2	734285-1	3	4.5	7	
929962-8	962966-8	J				G = 2.1	K = 2.5	0.25mm ² = 1.07						
929962-7	962966-7	J				D _{cr} = 0.8	D = 1.4	0.2mm ² = 1.05						
929962-1	962966-1	J												

THIS DRAWING IS A CONTROLLED DOCUMENT.
 DIESE ZEICHNUNG IST EIN KONTROLLIERTES DOKUMENT.

DIMENSIONS: MASSENEHLEN: mm	TOLERANCES UNLESS OTHERWISE SPECIFIED: ALLES TOLERANZEN	DIN C. Goetz 25-JUN-2001	TE Connectivity
0-RS ± 0.15 mm	1-PL ± -	CIK: J. Granzow 25-JUN-2001	
2-RCP ± -	3-PL ± -	APVD: -	NAME: DIA. 2.5MM PIN CONTACT
4-PL ± -	ANGLES / WINKEL ± 1°	PRODUCT SPEC: 108-18027	DIA 2.5mm Stiftkontakt
MATERIAL: SEE TABLE	FINISH / OBERFLÄCHE / FARBE: SEE TABLE	APPLICATION SPEC: 114-18020	SIZE: A1
		WEIGHT: 0.85 g	CAGE CODE: 00779
			DRAWING NO: 1355064
			RESTRICTED TO: -
			CUSTOMER DRAWING / KUNDENZEICHNUNG
			SCALE: 5:1
			SHEET: 1
			OF: 1
			VON: 1
			REV: A7