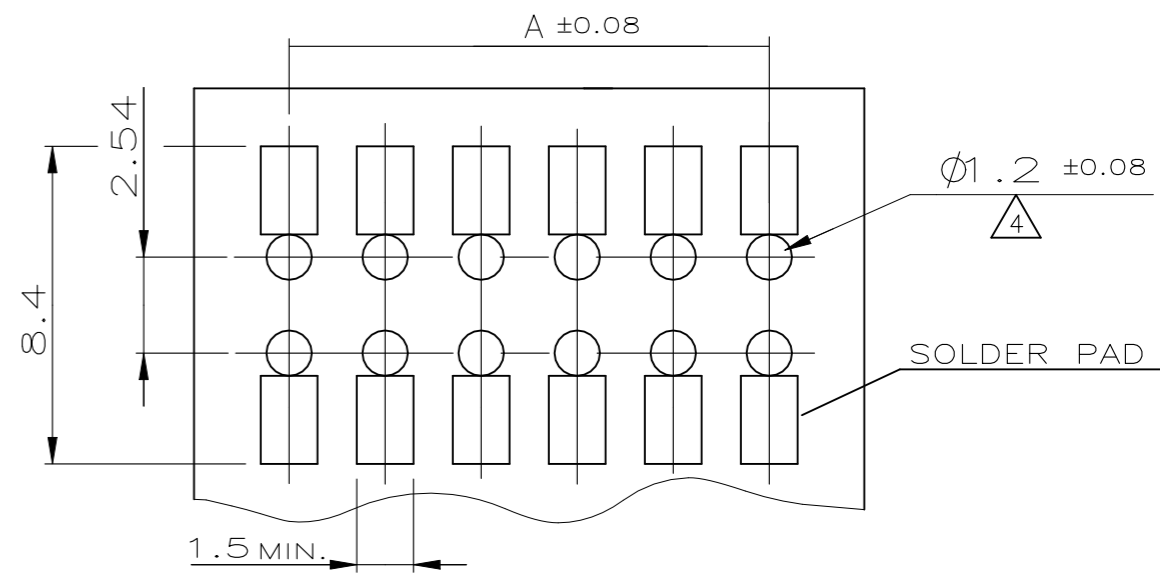
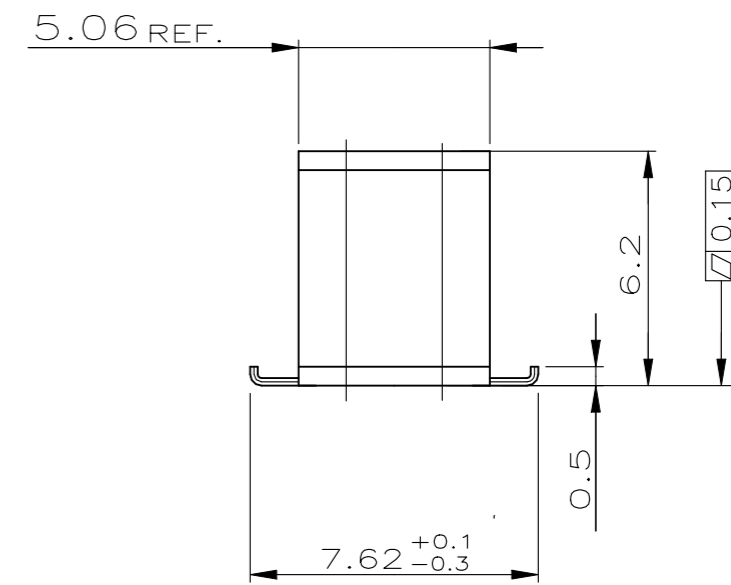
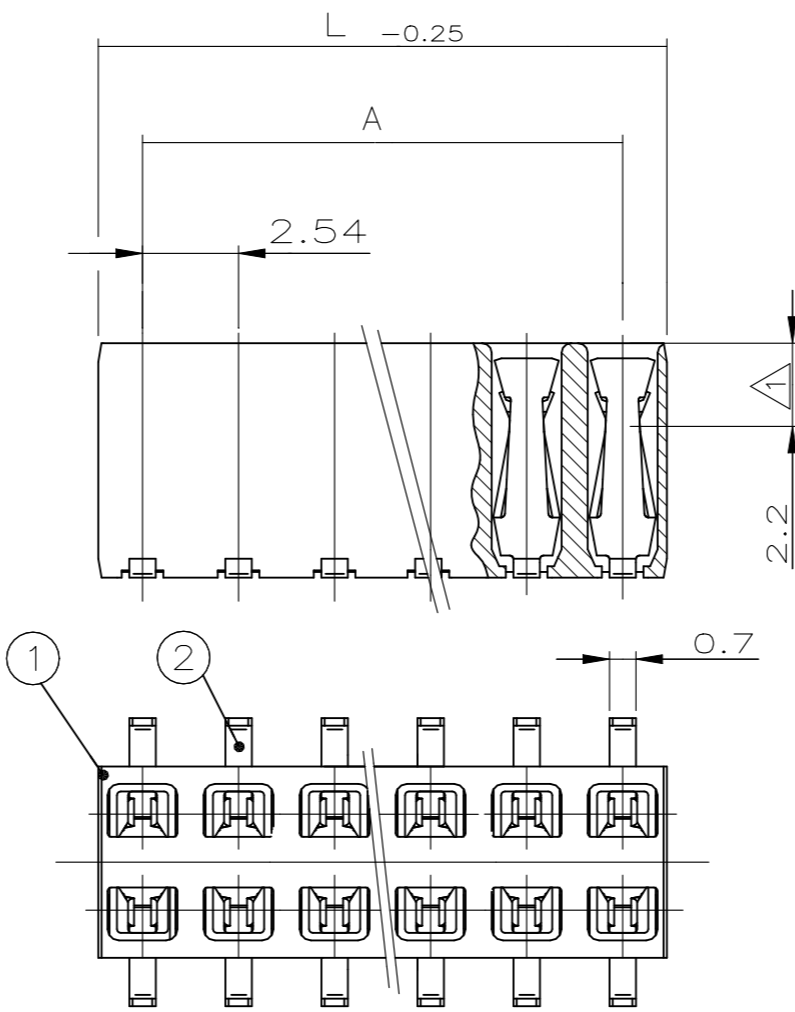


REVISIONS					
P	LTR	DESCRIPTION	DATE	DWN	APVD
	A5	PART OBSOLESCENCE	25MAR2024	KA	SS

POS. PER ROW	L -0.25	A	PART NUMBER
3	7.42	5.08	1355347-3
4	9.96	7.62	1355347-4
5	12.50	10.16	1355347-5
6	15.04	12.70	1355347-6
7	17.58	15.24	1355347-7
8	20.12	17.78	1355347-8
9	22.66	20.32	1355347-9
10	25.20	22.86	1-1355347-0
11	27.74	25.40	1-1355347-1
12	30.28	27.94	1-1355347-2
13	32.82	30.48	1-1355347-3
14	35.36	33.02	1-1355347-4
15	37.90	35.56	1-1355347-5
16	40.44	38.10	1-1355347-6
17	42.98	40.64	1-1355347-7
18	45.52	43.18	1-1355347-8
19	48.06	45.72	1-1355347-9
20	50.60	48.26	2-1355347-0



- NOTES:
- 1 POINT OF CONTACT
 - 2. MATEABLE WITH MODU II PINS $\phi 0.63$ OR $\square 0.63$ TOP OR BOTTOM ENTRY
 - 3. CUTTING-AREA OF THE CONTACT PLAIN
 - 4 ONLY AT BOTTOM ENTRY
 - 5. RECEPTACLE CONNECTOR PACKED IN BLISTER: SEE 3 OF 3
 - 6 PLATING: $2.5\mu\text{m} - 4.0\mu\text{m}$ TIN OVER $0.5 - 1.0\mu\text{m}$ Ni

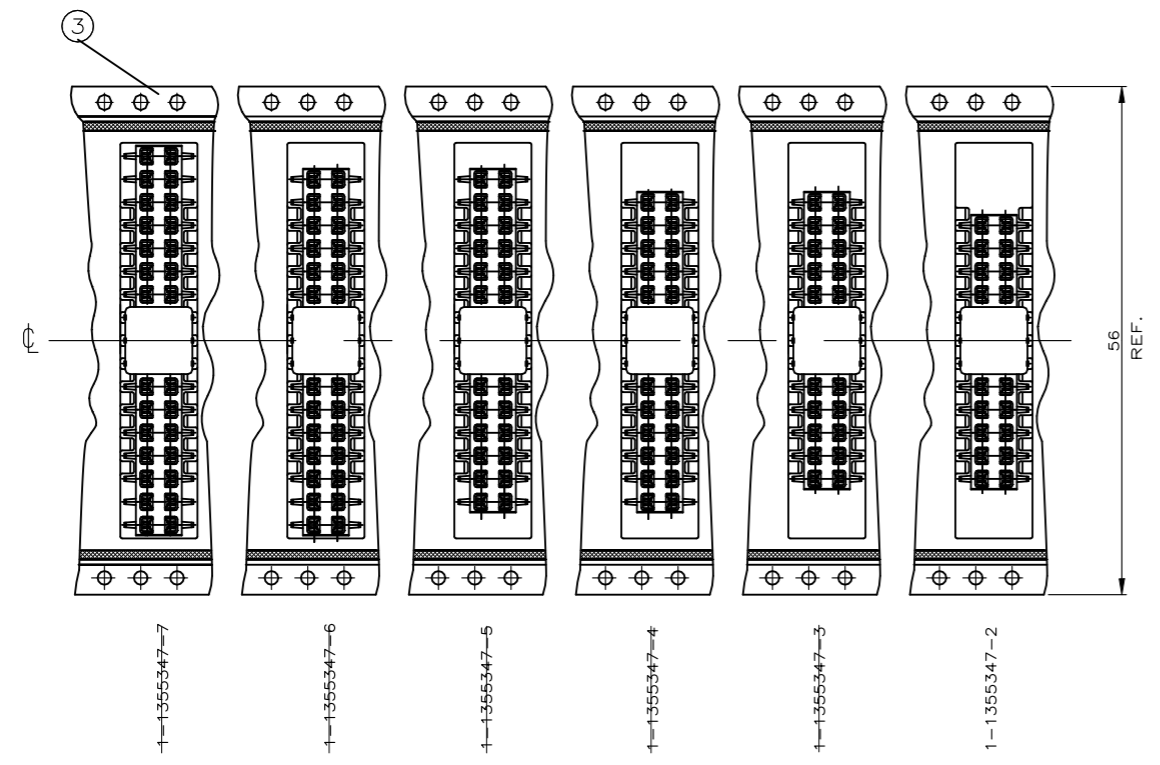
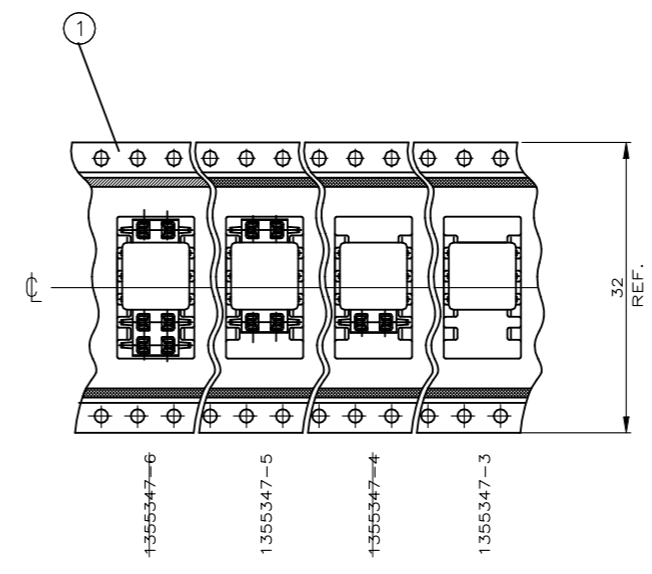
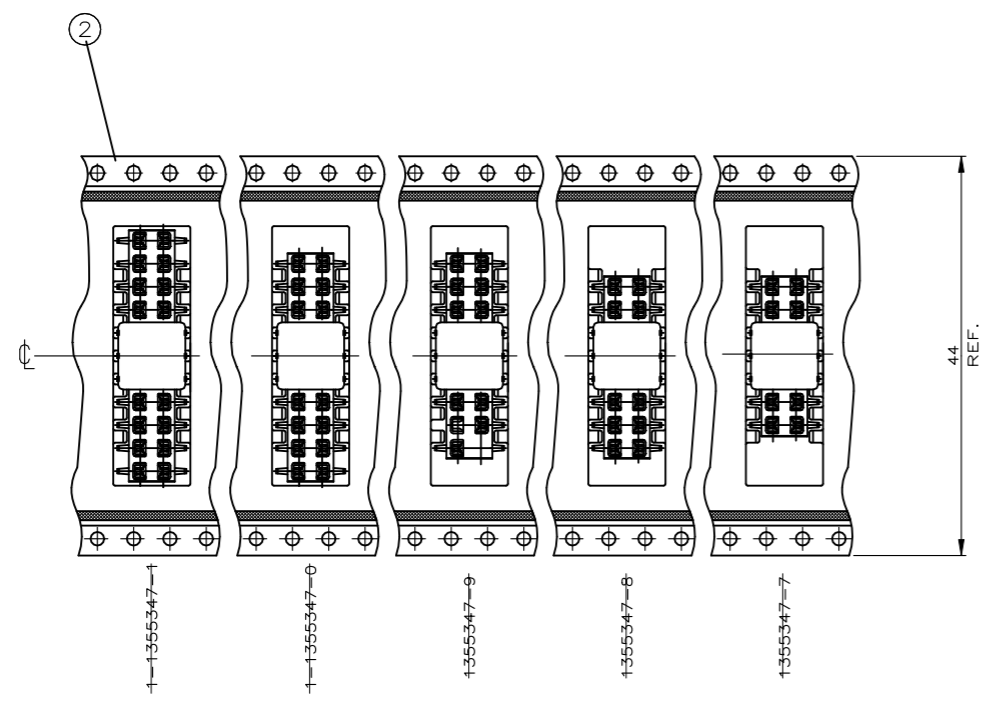
THIS DRAWING IS A CONTROLLED DOCUMENT.		DWN T.BERGNER 06FEB2023	TE Connectivity	
		CHK M.SCHAARSCHMIDT 18-OCT-99		
		APVD G.FELDMEIER 18-OCT-99	NAME HV100 RECEPT.CONNECTOR,DUAL ROW, SMD,PACKED IN BLISTER,TIN VERSION	
DIMENSIONS: mm		TOLERANCES UNLESS OTHERWISE SPECIFIED:	SIZE A3	
		0 PLC ± 0.2	CAGE CODE 00779	
		1 PLC ± 0.1	DRAWING NO C-1355347	
		2 PLC ± 0.1	RESTRICTED TO -	
		3 PLC $\pm -$	SCALE 5:1	
		4 PLC $\pm -$	SHEET 1 OF 3	
		ANGLES $\pm 3^\circ$	REV A5	
MATERIAL SEE TABLE		FINISH SEE TABLE	CUSTOMER DRAWING	

ORDER NO	ITEM NO.	WORDING ITEM	MATERIAL	SURFACE COLOR
SEE TABLE	2	HV100 CONTACT	CuSn	6 TINNED
SEE TABLE	1	HV100 HOUSING	LCP	BLACK

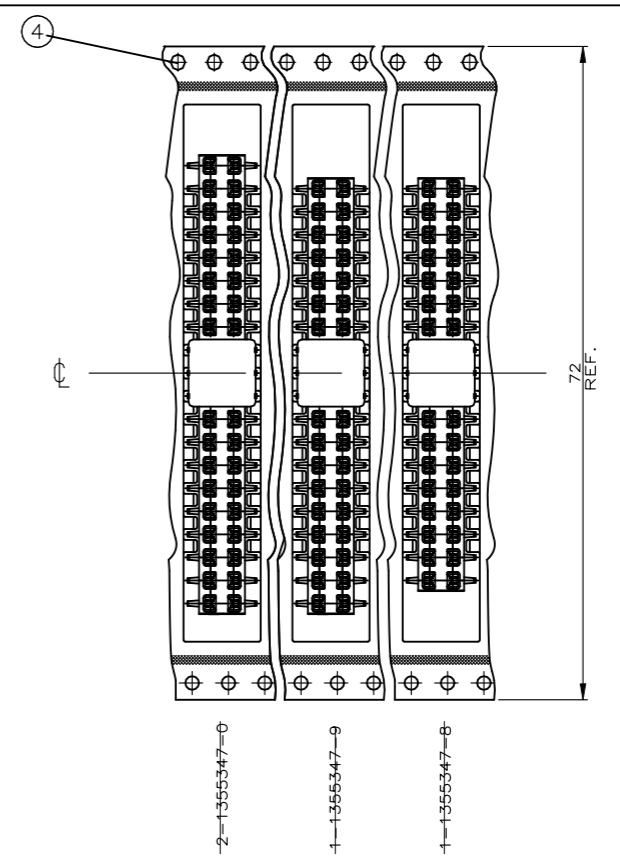
REVISIONS

P	LTR	DESCRIPTION	DATE	DWN	APVD
-	-	SEE SHEET 1	-	-	-

DETAIL X



DIRECTION OF THE TOP OF THE REEL



740669-4	④
740713-1	③
740669-2	②
740715-1	①
BLISTER PN:	ITEM

THIS DRAWING IS A CONTROLLED DOCUMENT.

DIMENSIONS:	TOLERANCES UNLESS OTHERWISE SPECIFIED:
mm	
	0 PLC ± 0.2
	1 PLC ± 0.1
	2 PLC ± 0.1
	3 PLC ± -
	4 PLC ± -
	ANGLES ± 3°
MATERIAL	FINISH
SEE TABLE	SEE TABLE

DWN	T.BERGNER	18-OCT-99
CHK	M.SCHAARSCHMIDT	18-OCT-99
APVD	G.FELDMEIER	18-OCT-99
PRODUCT SPEC	NAME	
APPLICATION SPEC	SIZE	
WEIGHT	CAGE CODE	
CUSTOMER DRAWING		



HV100 RECEPT.CONNECTOR,DUAL ROW, SMD,PACKED IN BLISTER,TIN VERSION

NAME	SIZE	CAGE CODE	DRAWING NO	RESTRICTED TO
	A3	00779	C-1355347	-
SCALE	SHEET	REV		
5:1	3 OF 3	A5		