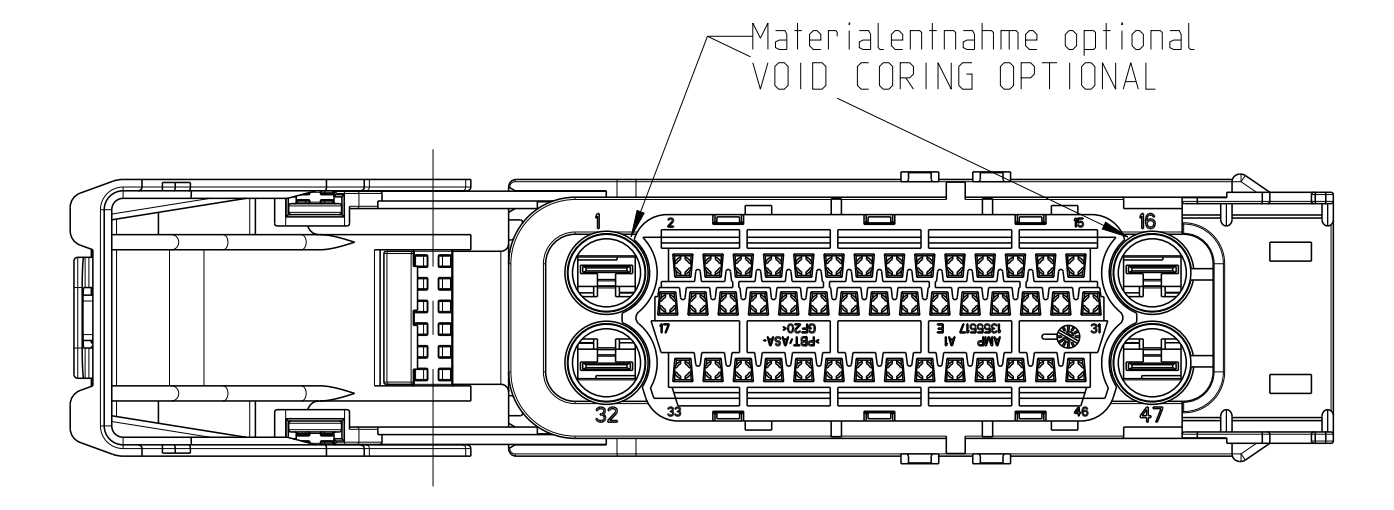
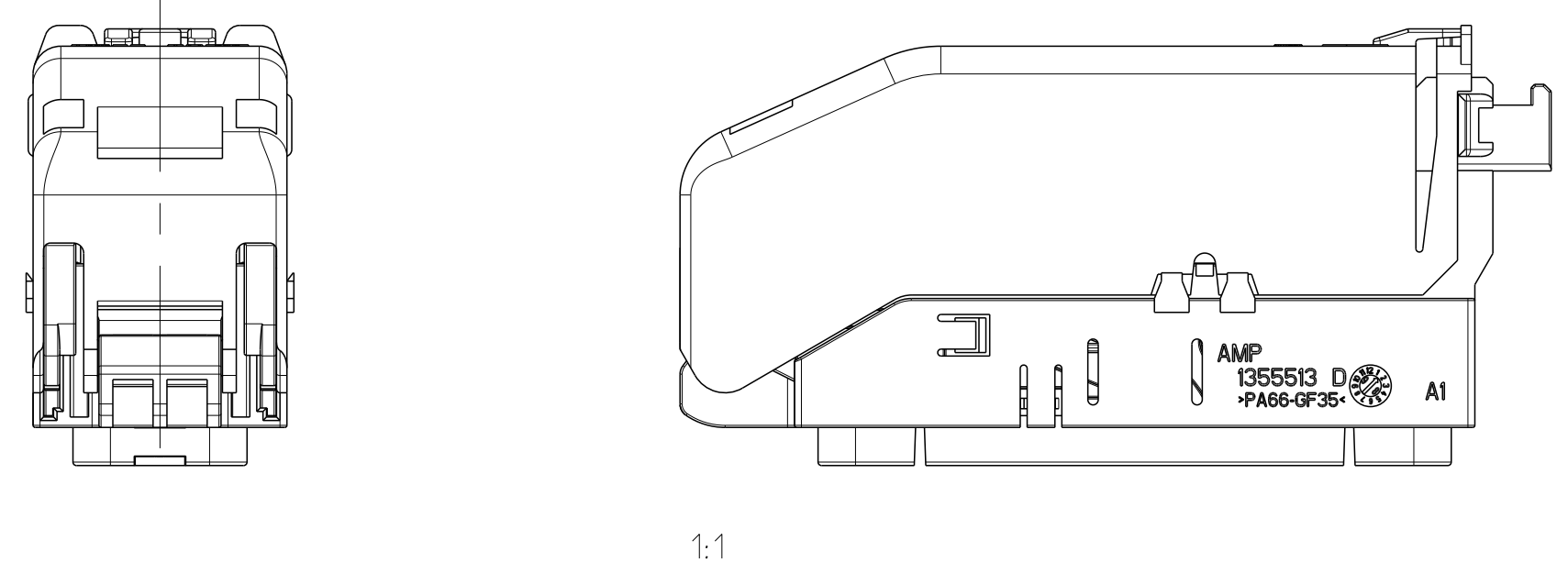
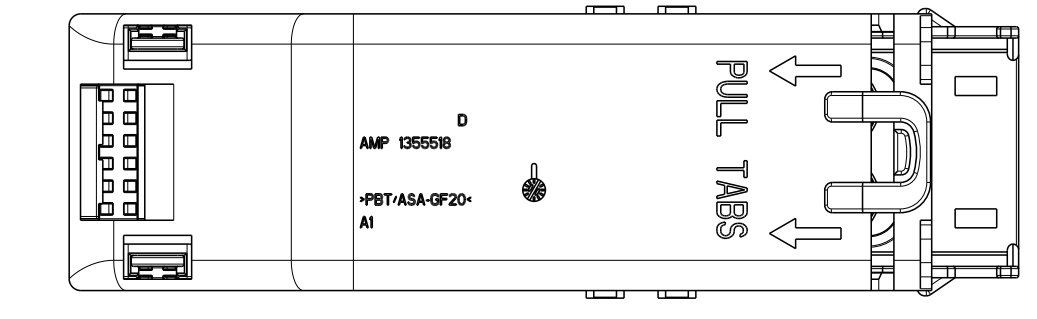
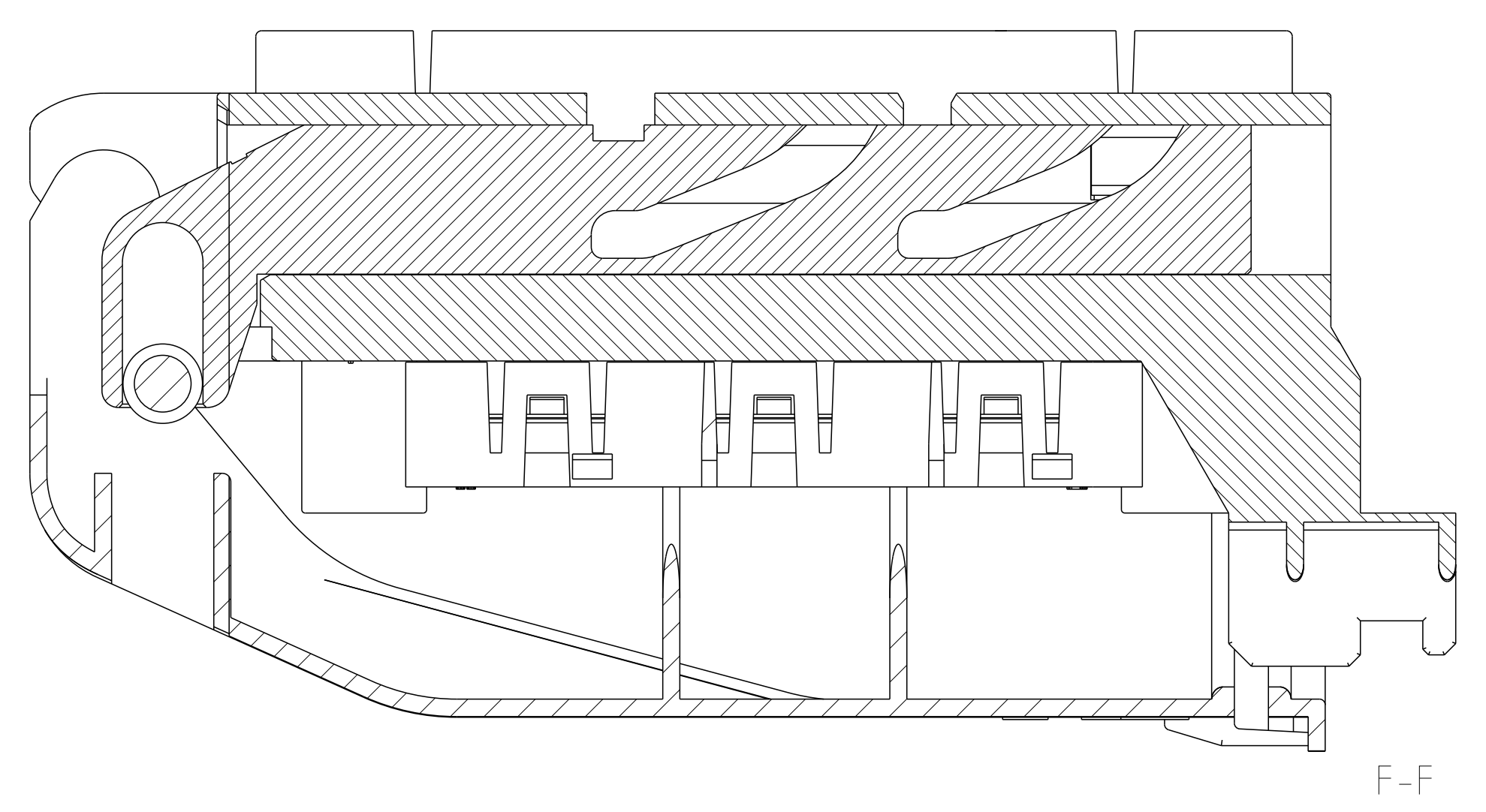
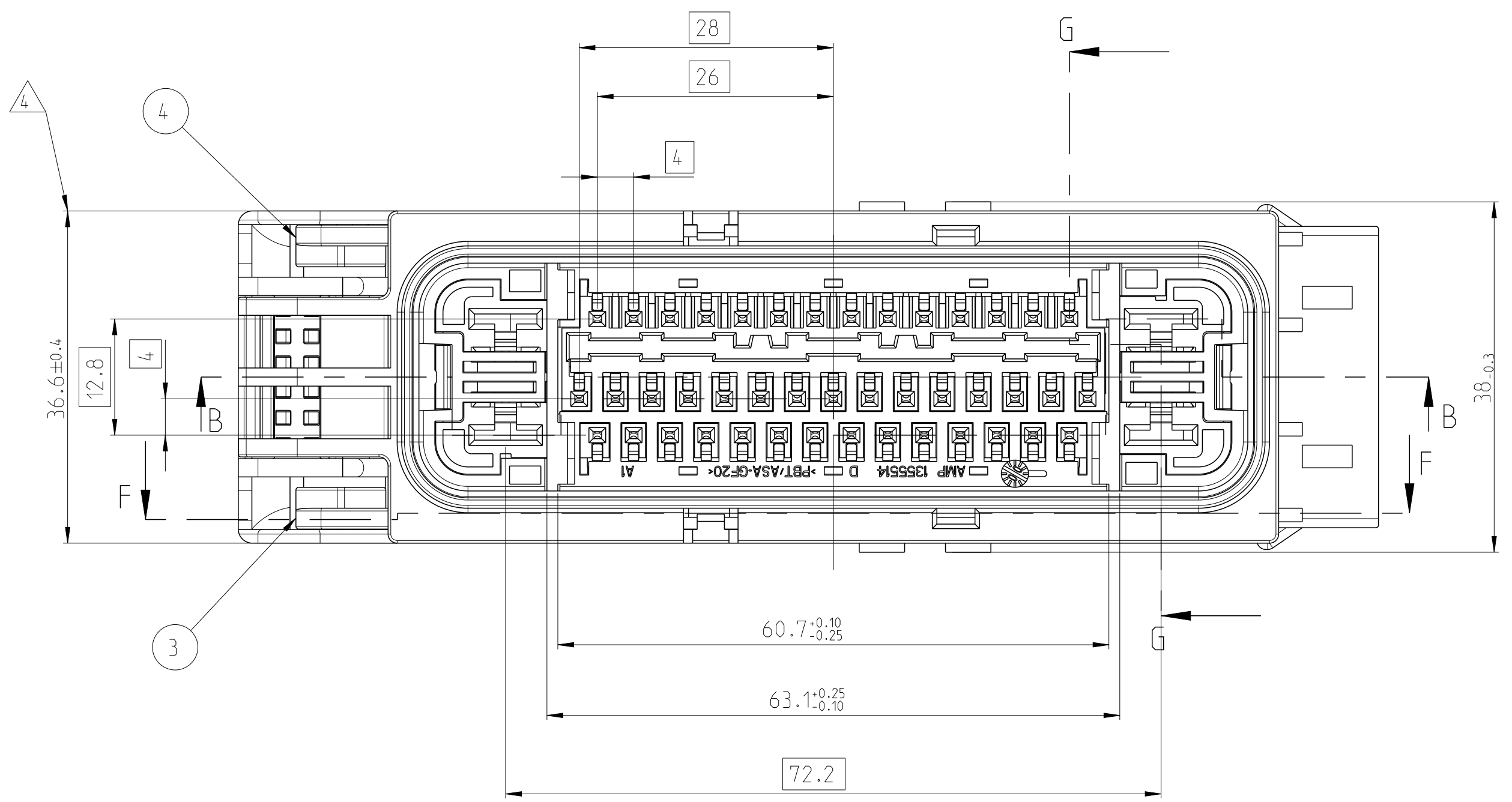
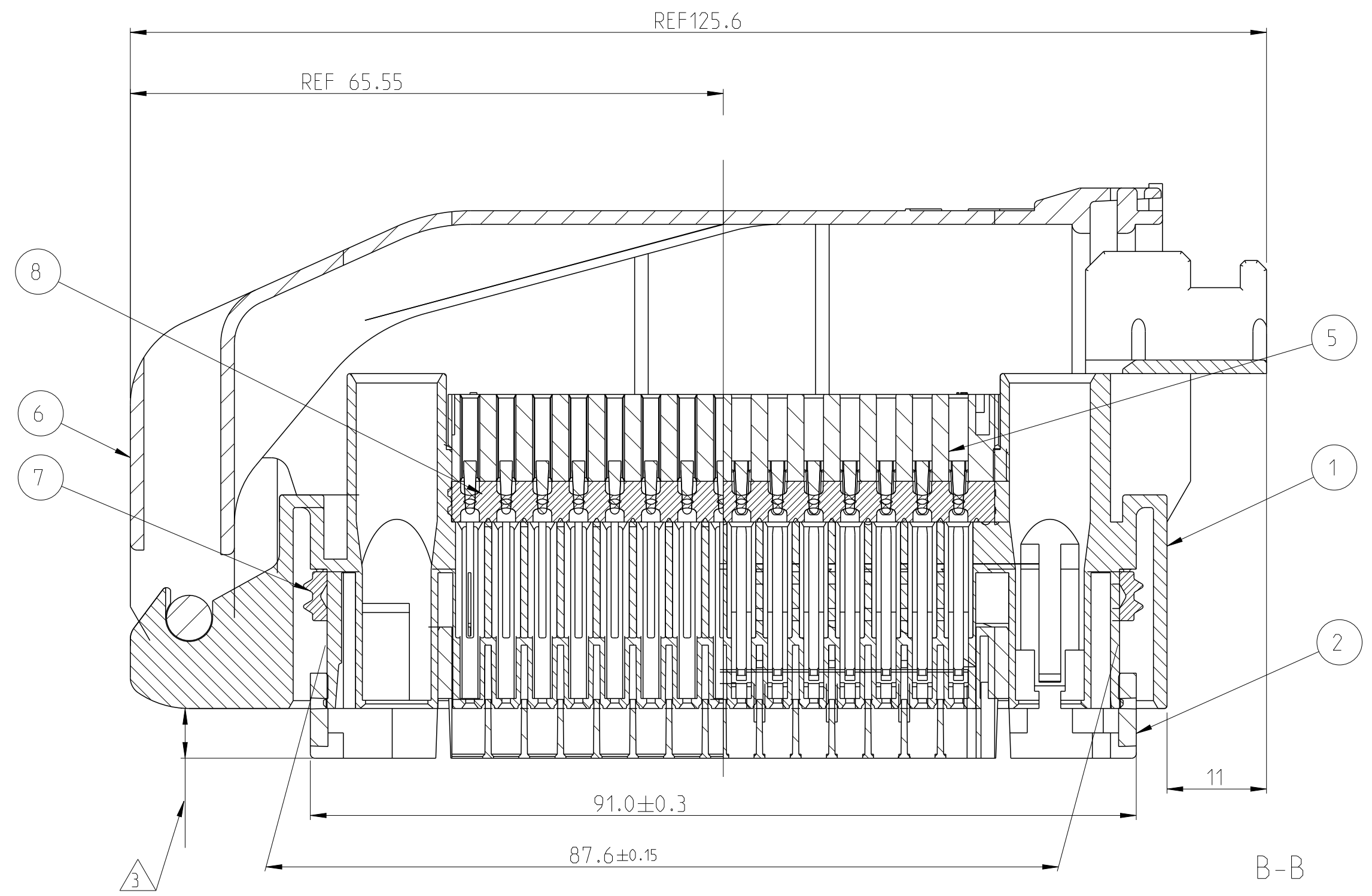
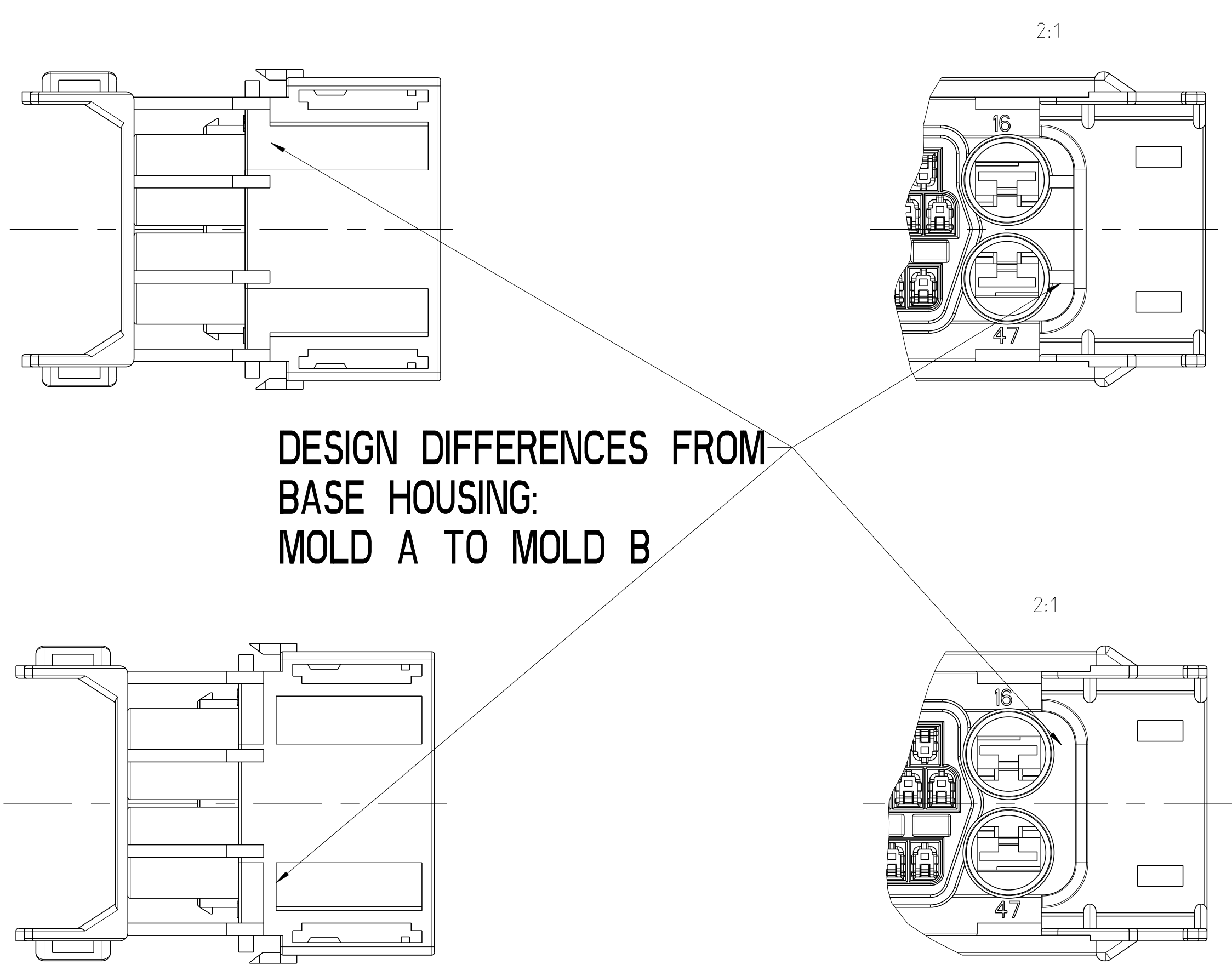
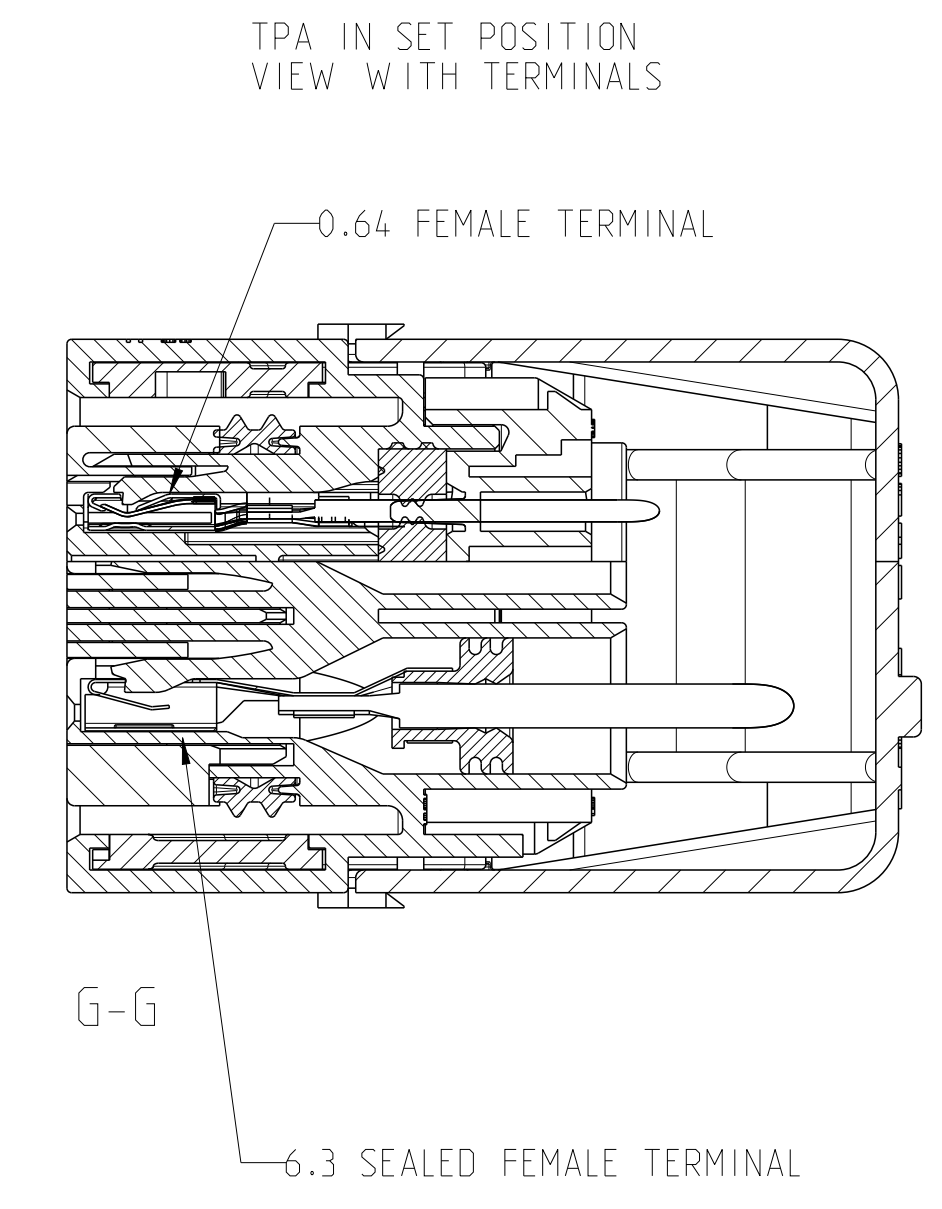
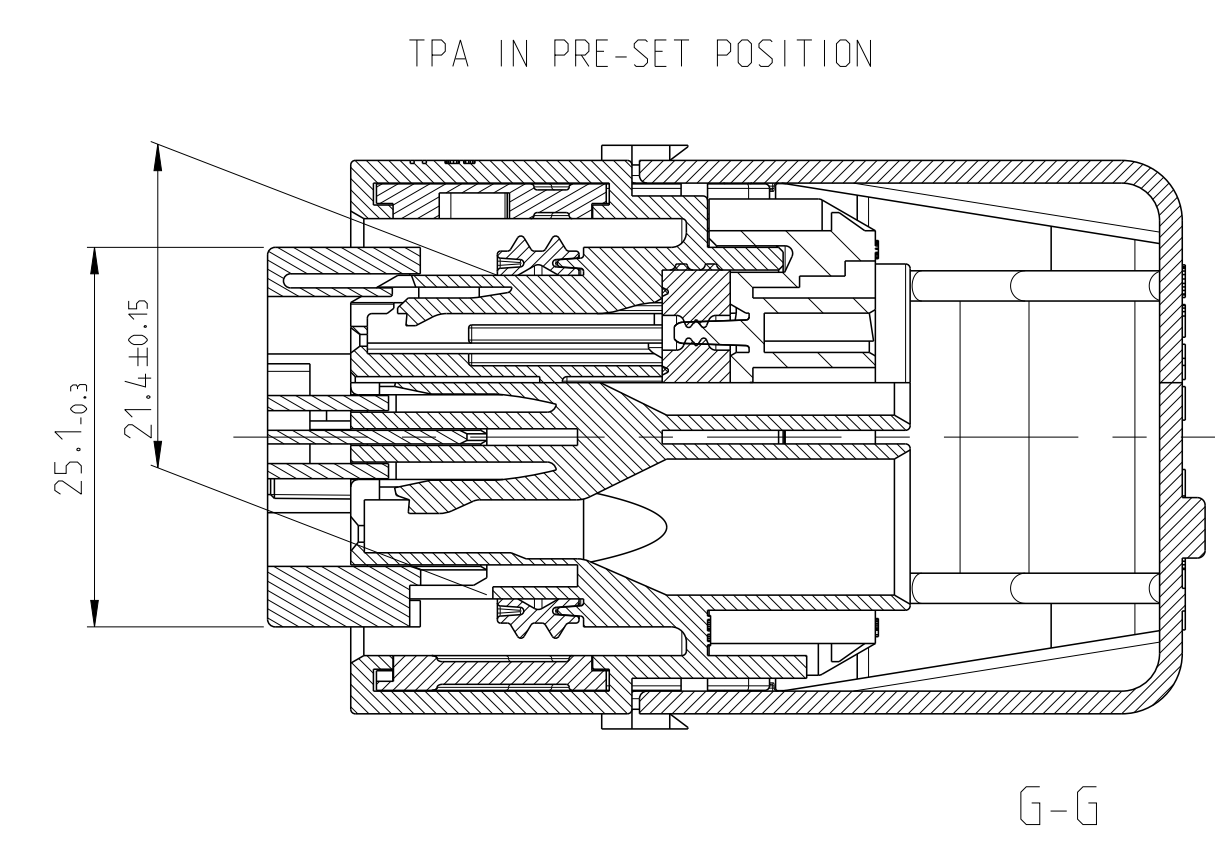
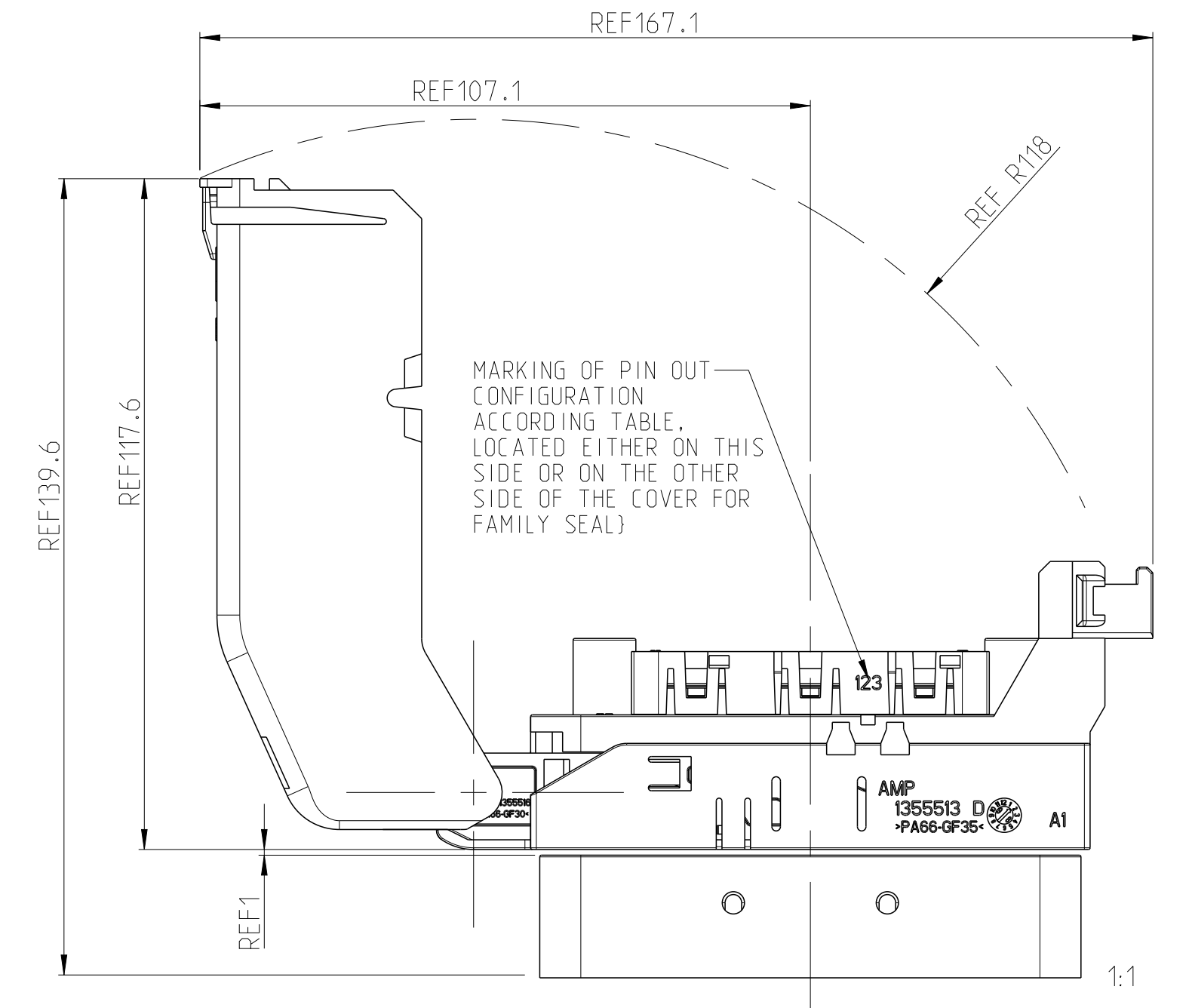


REV	DATE	BY	CHK	APPV
N4	SEE PCN-E-15-007677		JR	HR
N5	SEE PCN-E-17-001532		KC	SH
N6	SEE PCN-E-18-005619		RS	-
N7	E-20-009664		SRN	PT

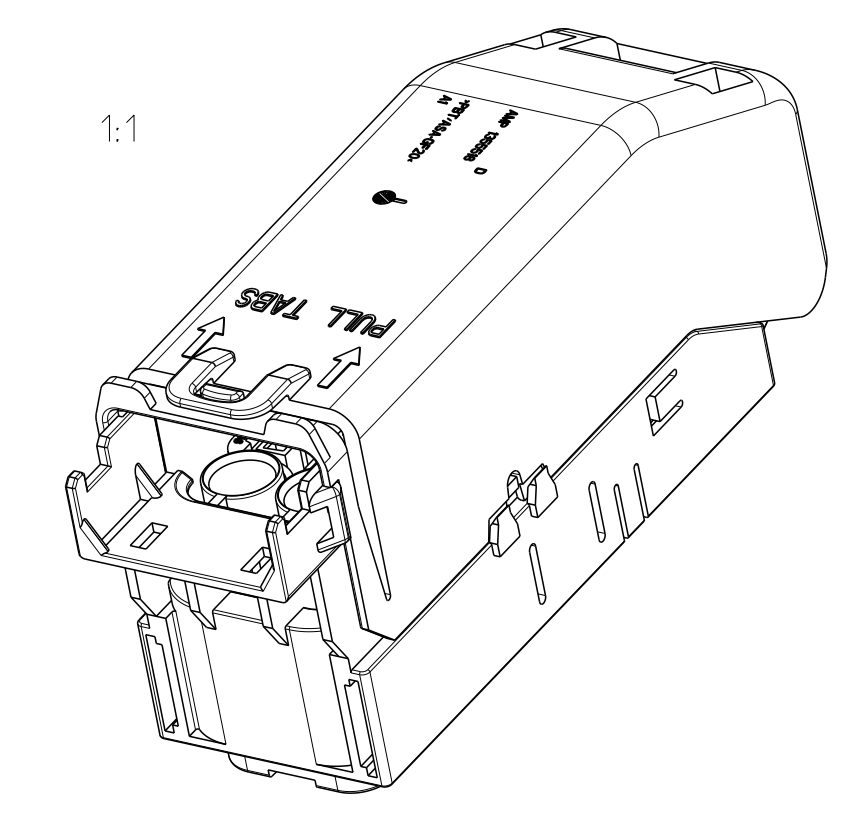


CONNECTOR WITH OPENED SHIELD



DESIGN DIFFERENCES FROM BASE HOUSING: MOLD A TO MOLD B

3D VIEW



- ⚠ Siehe Tabelle Seite 2 und 3
SEE TABLE SHEET 2 AND 3
- ⚠ SEE PAGE 2
Siehe Blatt 2
- ⚠ SPACER IN PRESET POSITION
Spacer in Vorraststellung
- ⚠ WARPAGE ALLOWED DOWN TO 35.7
Verzug bis 35.7 zulässig
- ⚠ Signal Kontakte sind ausgelegt fuer Kabelgroessen AWG 18-20, Leiterquerschnitt 0.5 - 0.75mm.
Fuer die Dichtigkeit der Steckverbinder ist notwendig, dass der Isolationsdurchmesser 1.4 - 1.9mm befreit.
SIGNAL CONTACTS ARE SUITABLE FOR WIRE SIZE AWG 18-20, CONDUCTOR CROSS SECTION 0.5 - 0.75mm.
FOR THE SEALING OF THE CONNECTOR IT IS NECESSARY TO HAVE A CABLE ISOLATION DIAMETER OF 1.4 - 1.9mm.

CUSTOMER PN	TE- PN	TE- PN	DESCRIPTION	QTY
ZL1T-14A464-AB-XXX	X-2291024-X	X-1355512-X	1x FAMILY SEALING	8
			1x PERIPHERAL SEAL	7
			1x WIRE DRESS COVER	6
			1x COVER FAM.-SEAL	5
			1x RIGHT SLIDE	4
			1x LEFT SLIDE	3
			1x SPACER	2
1x HOUSING	1			

THIS DRAWING IS A CONTROLLED DOCUMENT.		DATE	2005-04-19	BY	JAKLIN	DMAY99	TE Connectivity
DRAWN	BY	DATE	2005-04-19	CHK	NUMBER	DMAY99	
DATE	2005-04-19	BY	BOUDA	DMAY99	PRODUCT SPEC		
APPROVED	DATE	2005-04-19	BY	DMAY99	APPLICATION SPEC		
MATERIAL	FINISH	WEIGHT		SCALE	2:1	SHEET	1 of 3
				Customer Drawing		REV	N7

