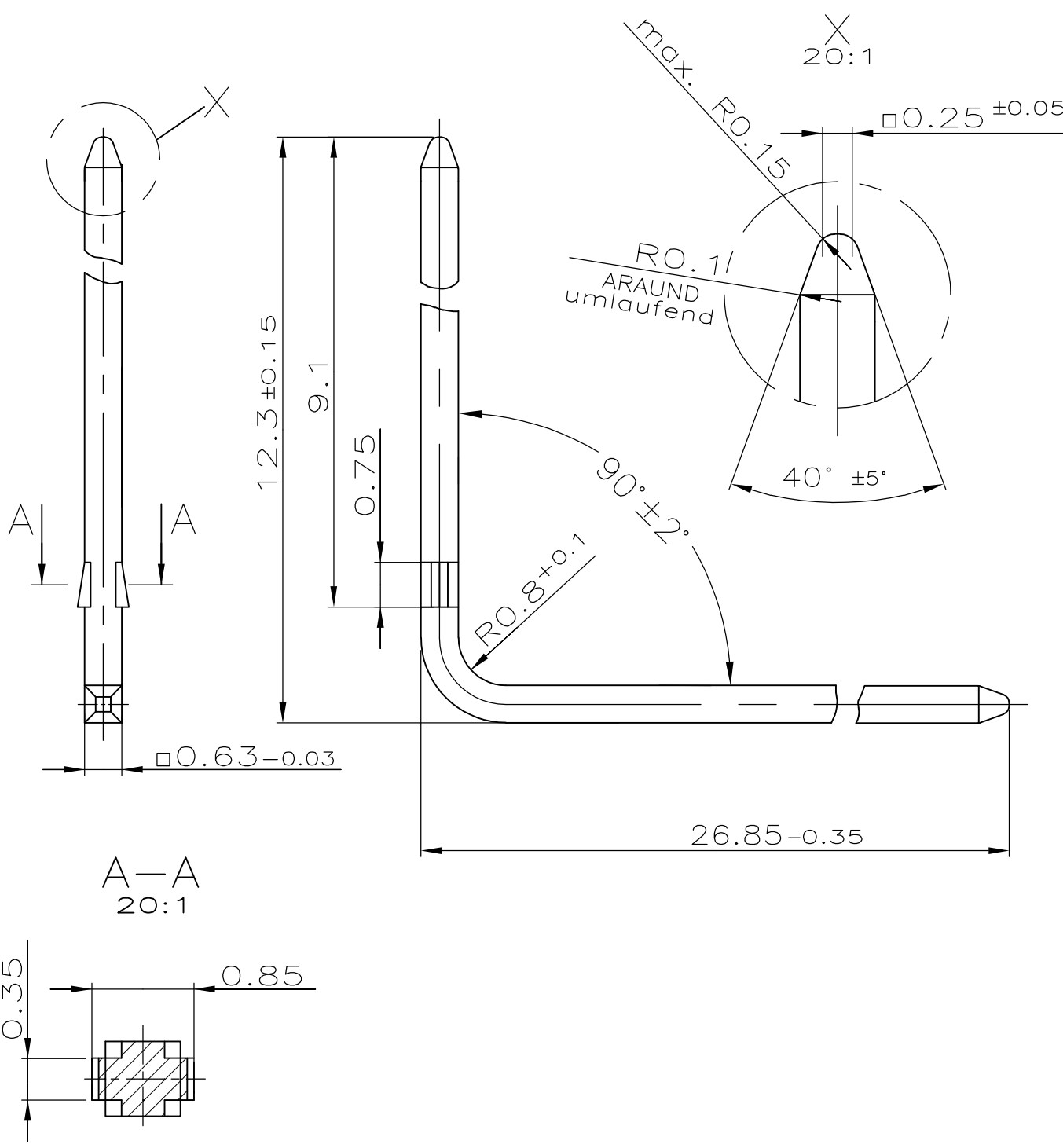


| | | | | | | | |
|-----------|-----------|--|-----|---|-----------|-----|------|
| LOC A1 | DIST — | REVISIONS ÄNDERUNGEN DESCRIPTION BESCHREIBUNG | | | DATE | DWN | APVD |
| | | P | LTR | | | | |
| | | B3 | | DRAWING REACTIVATED, CHANGE IN OVERALL LENGTH & RETENTION FEATURE | 02FEB2016 | KJK | PS |



RELEASED FOR PUBLICATION
 FREI FÜR VERÖFFENTLICHUNG
 ALL RIGHTS RESERVED.
 ALLE RECHTE VORBEHALTEN.
 THIS DRAWING IS UNPUBLISHED.
 VERTRAULICHE UNVERÖFFENTLICHTE ZEICHNUNG.
 © COPYRIGHT -00 By -

| | | |
|-------------|-------------|----------|
| 1355798-1 | MODU II PIN | CuSn6 |
| PART NUMBER | DESCRIPTION | MATERIAL |

| | | | |
|--|---|---|--|
| DIMENSIONS: MASSENHEITEN mm | DWN E. Palmie' 24-JAN-00 | MATERIAL — | FINISH 2-4µm Sn over 1.27µm min. Ni |
| | CHK H.Schmidt 24-JAN-00 | TE Connectivity | |
| TOLERANCES UNLESS OTHERWISE SPECIFIED: ALLGEMEINTOLERANZEN 0 PLC ± - 1 PLC ± - 2 PLC ± - 3 PLC ± - 4 PLC ± - ANGLES / WINKEL ± - | APVD — | | |
| | PRODUCT SPEC PRODUKTSPEZ. — | SIZE A4 | CAGE CODE 00779 |
| | APPLICATION SPEC VERARBEITUNGSSPEZ. — | DRAWING NO ZEICHNUNGS-NR. C-1355798 | RESTRICTED TO NUR FUER — |
| | WEIGHT GEWICHT — | CUSTOMER DRAWING / KUNDENZEICHNUNG | |
| | | SCALE MASSSTAB 20:1 | SHEET BLATT 1 OF 1 REV B3 |