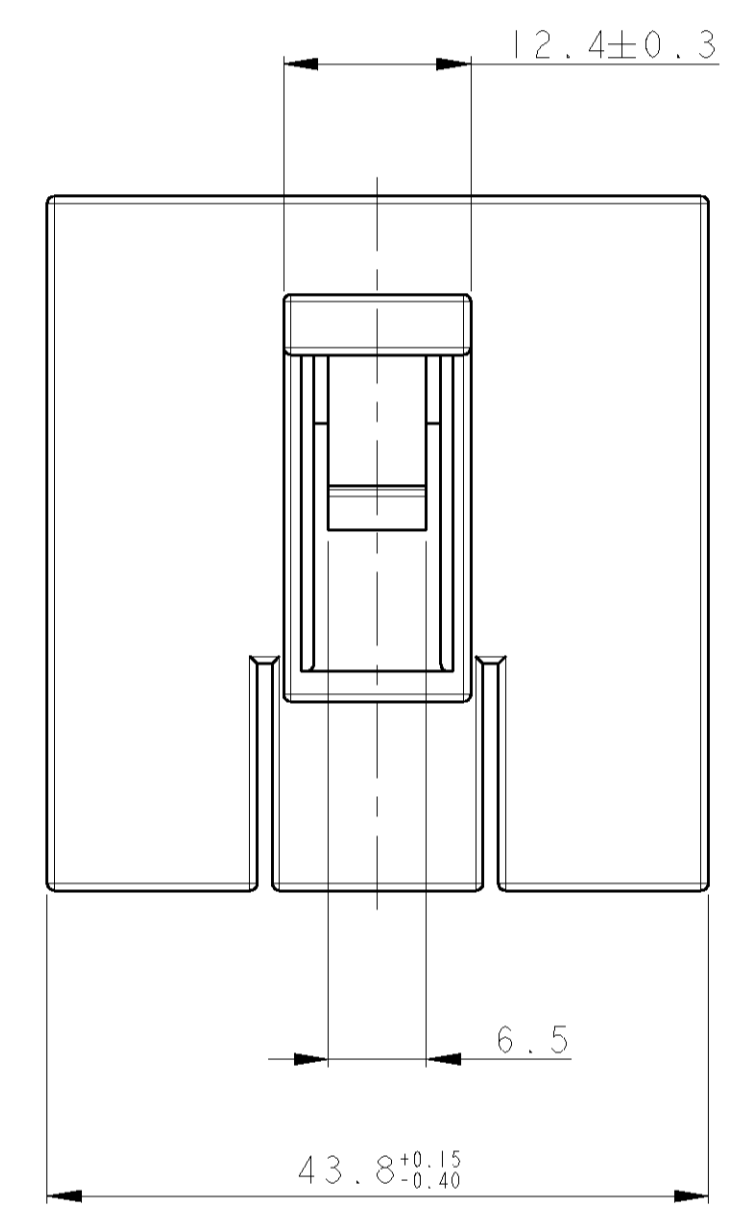
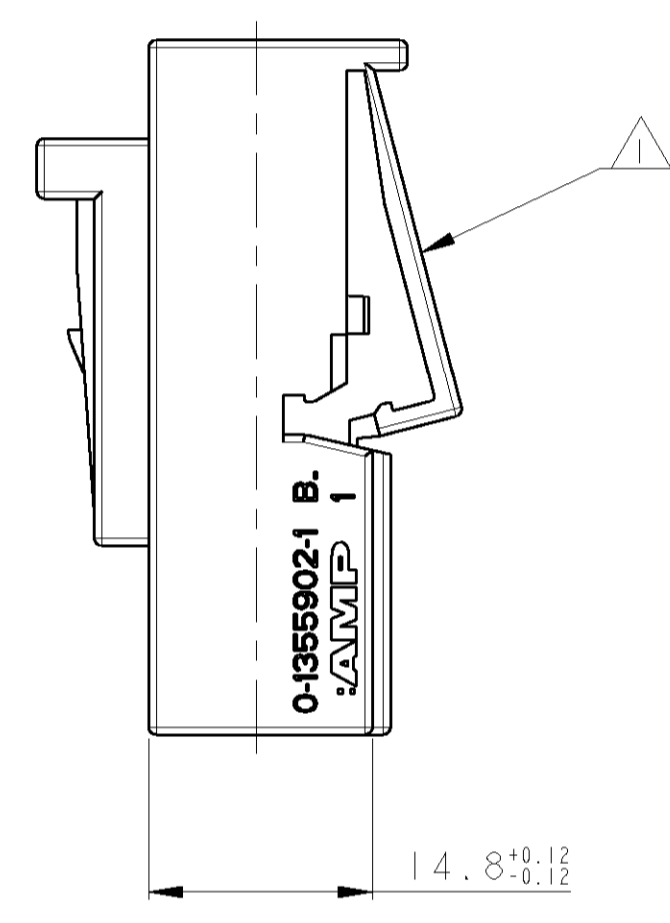
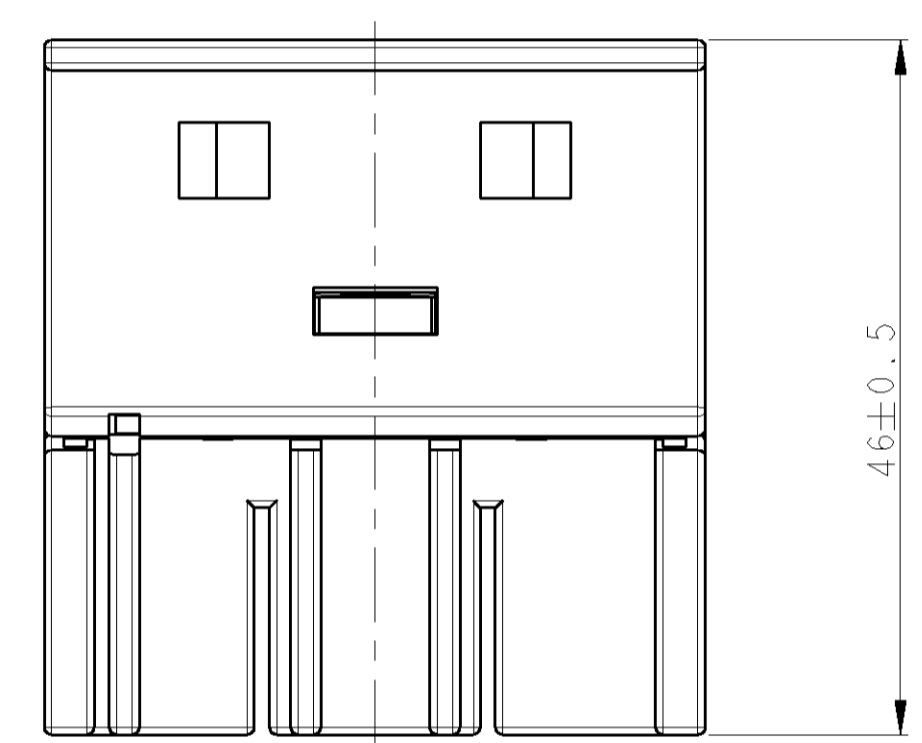
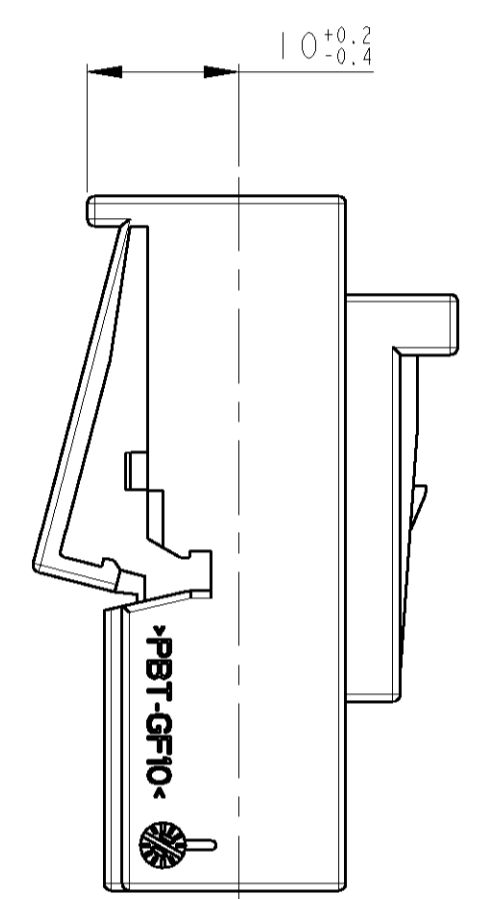
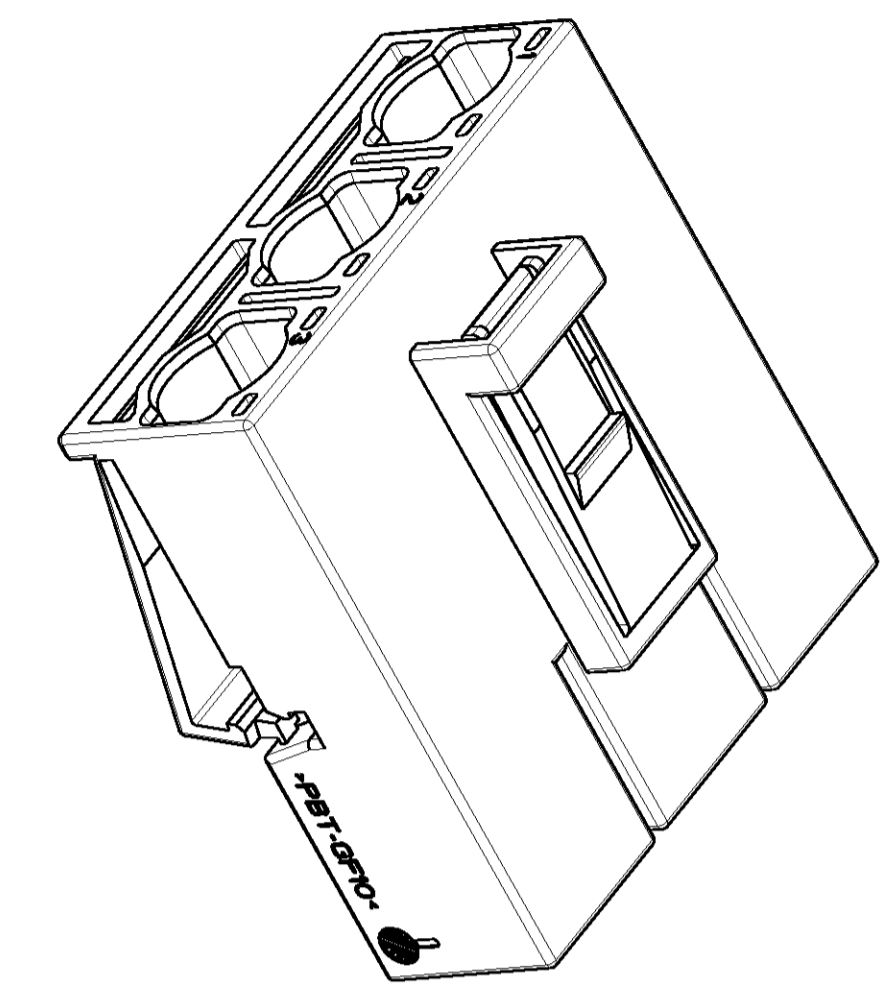
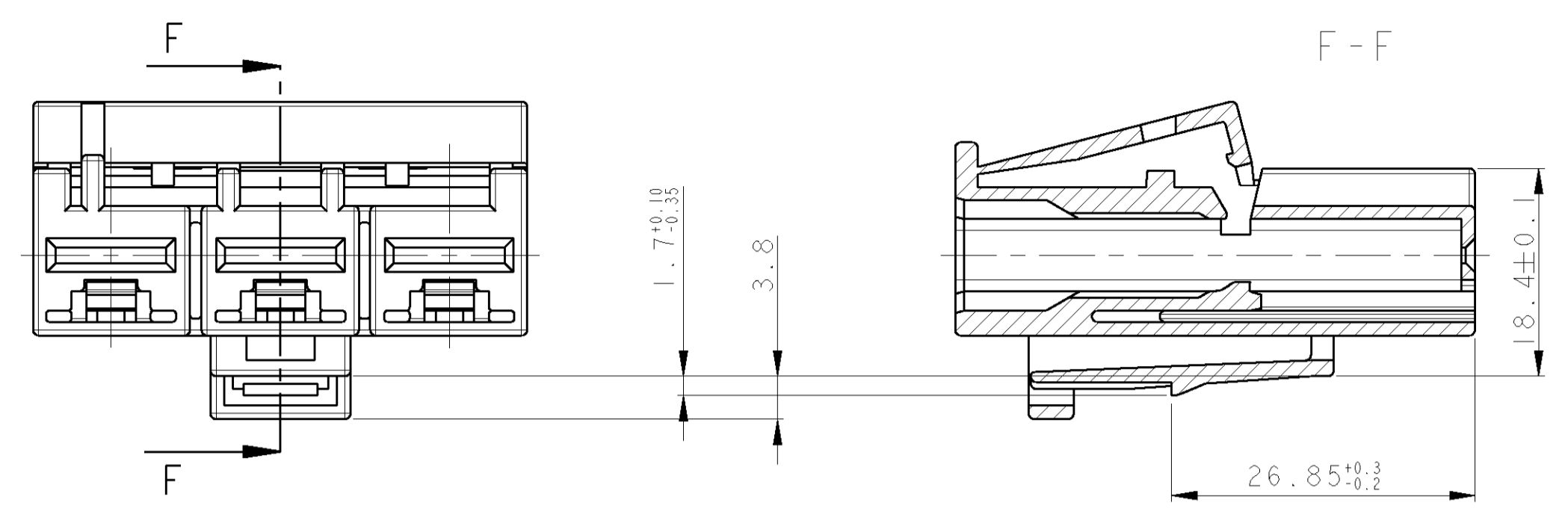
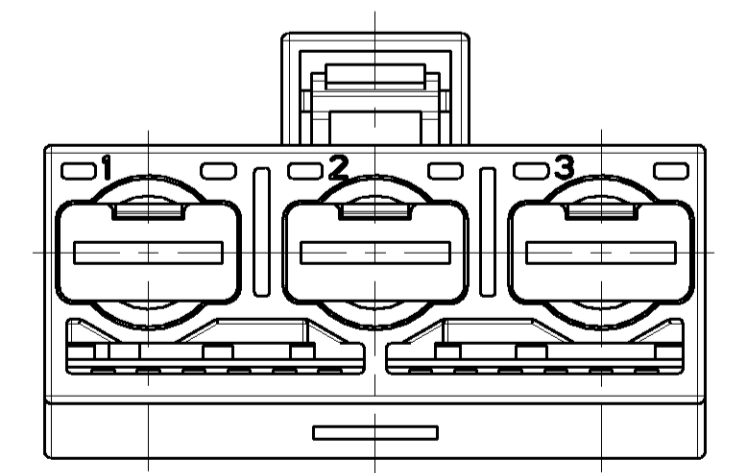


LOC		DIST		REVISIONS			
A		P	LTB	DESCRIPTION	DATE	DWN	APVD
		B2	EG00 3066 01		00JAN2001	CW	GM



NOTES  
 Bemerkungen  
 1. SECONDARY LOCK IN PRE-LOCK-IN POSITION  
 2. Kontaktsicherung in Vorraststellung



2S6T 14489 JA	0-1355902-1	MAXI FUSE BOX 0-1394252-1		1x	PBT-GF10	BLACK	SOCKET HOUSING	1	
CUSTOMER PART NO.	AMP PART NO.	SUITABLE FOR	PCS PER ASSY	MATERIAL	COLOR	DESCRIPTION	ITEM NO.		
		DIMENSIONS:		TOLERANCES UNLESS OTHERWISE SPECIFIED:		DWN: C. Weber 15MAY2000 ENK: D. Jakobleit 15MAY2000 APVD: G. Mumpfer 15MAY2000		Tyco Electronics AMP GmbH D - 64625 Bensheim	
		mm		0 PLC ±0.2 1 PLC ±0.2 2 PLC ±0.2 3 PLC ±0.2 4 PLC ±0.2 ANGLES ±0.2		NAME: 3POS. SOCKET HOUSING 9.5mm SYSTEM MCP		RESTRICTED TO	
		MATERIAL: -		FINISH: -		WEIGHT: -		SCALE: 2:1 SHEET 1 OF 1 REV: B2	
		CUSTOMER DRAWING		SIZE: 00779 C=1355902					