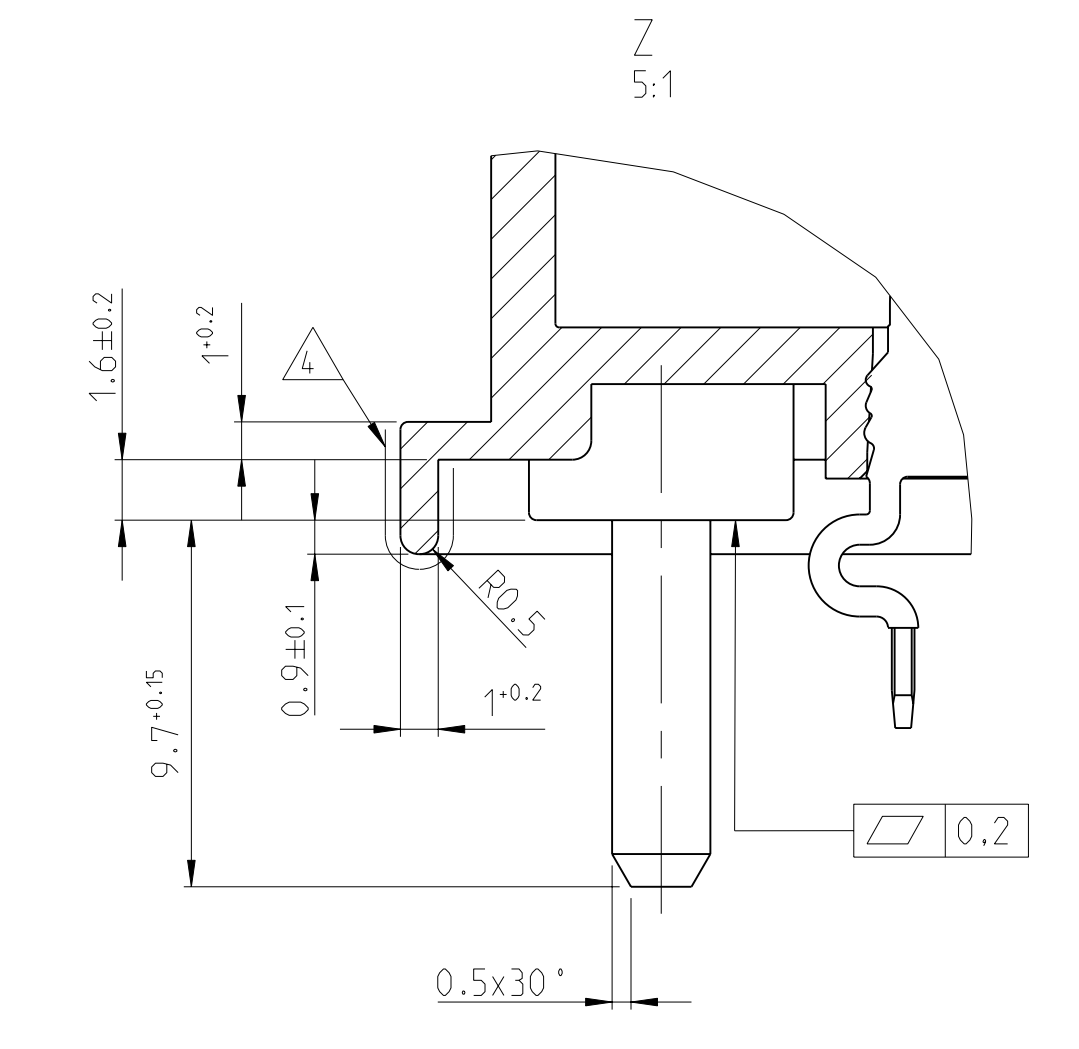
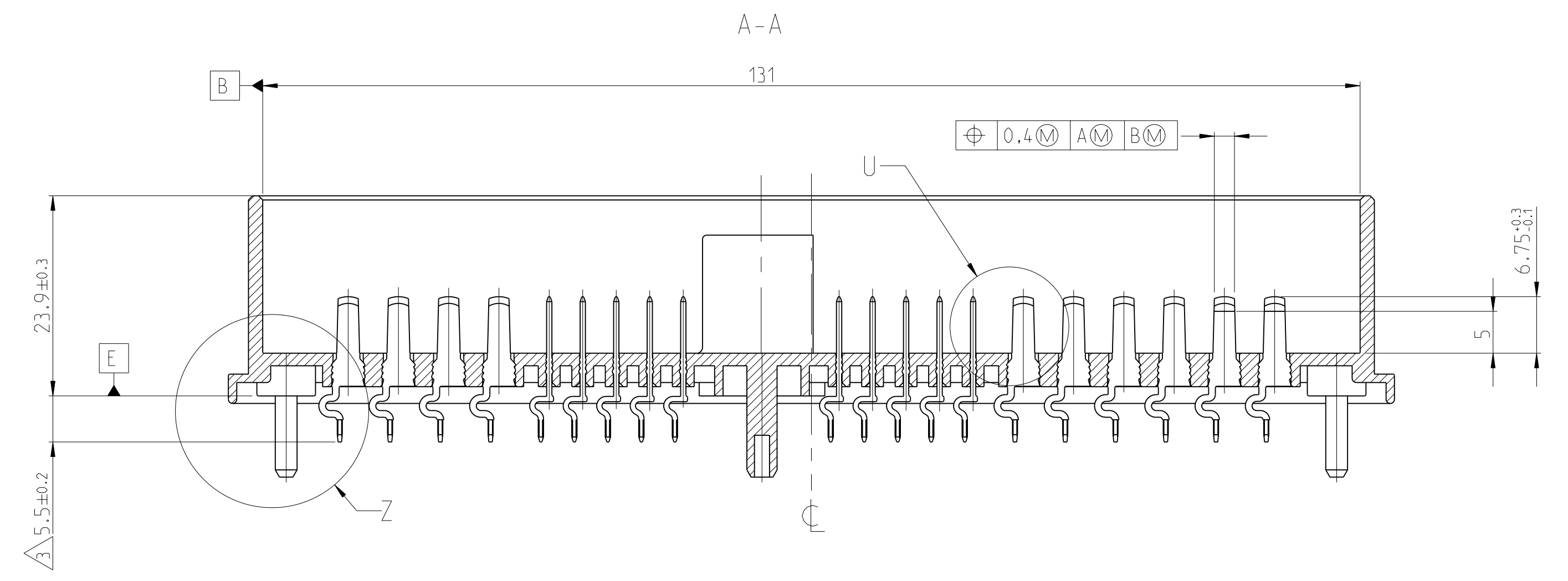
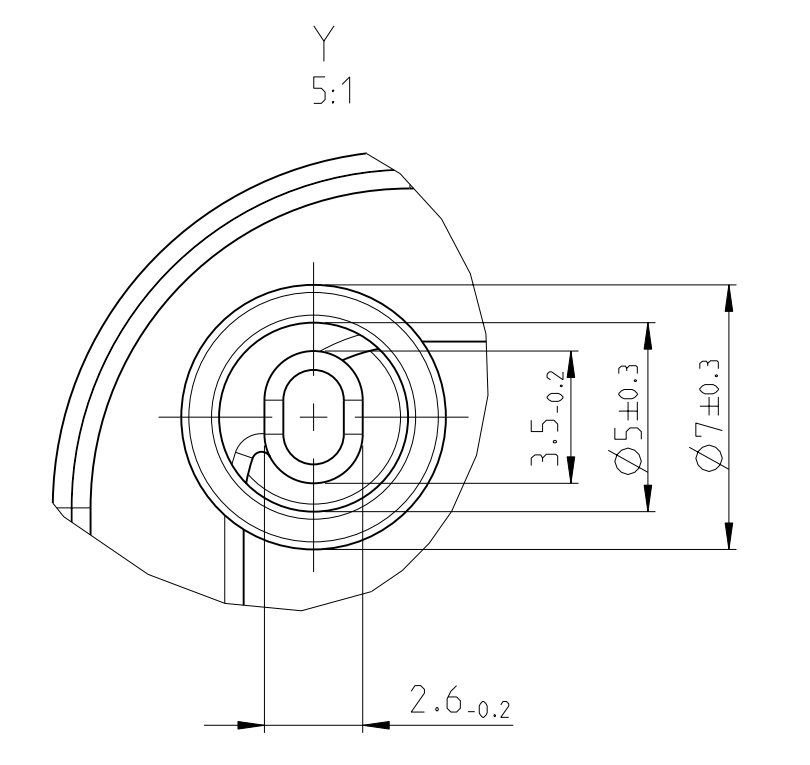
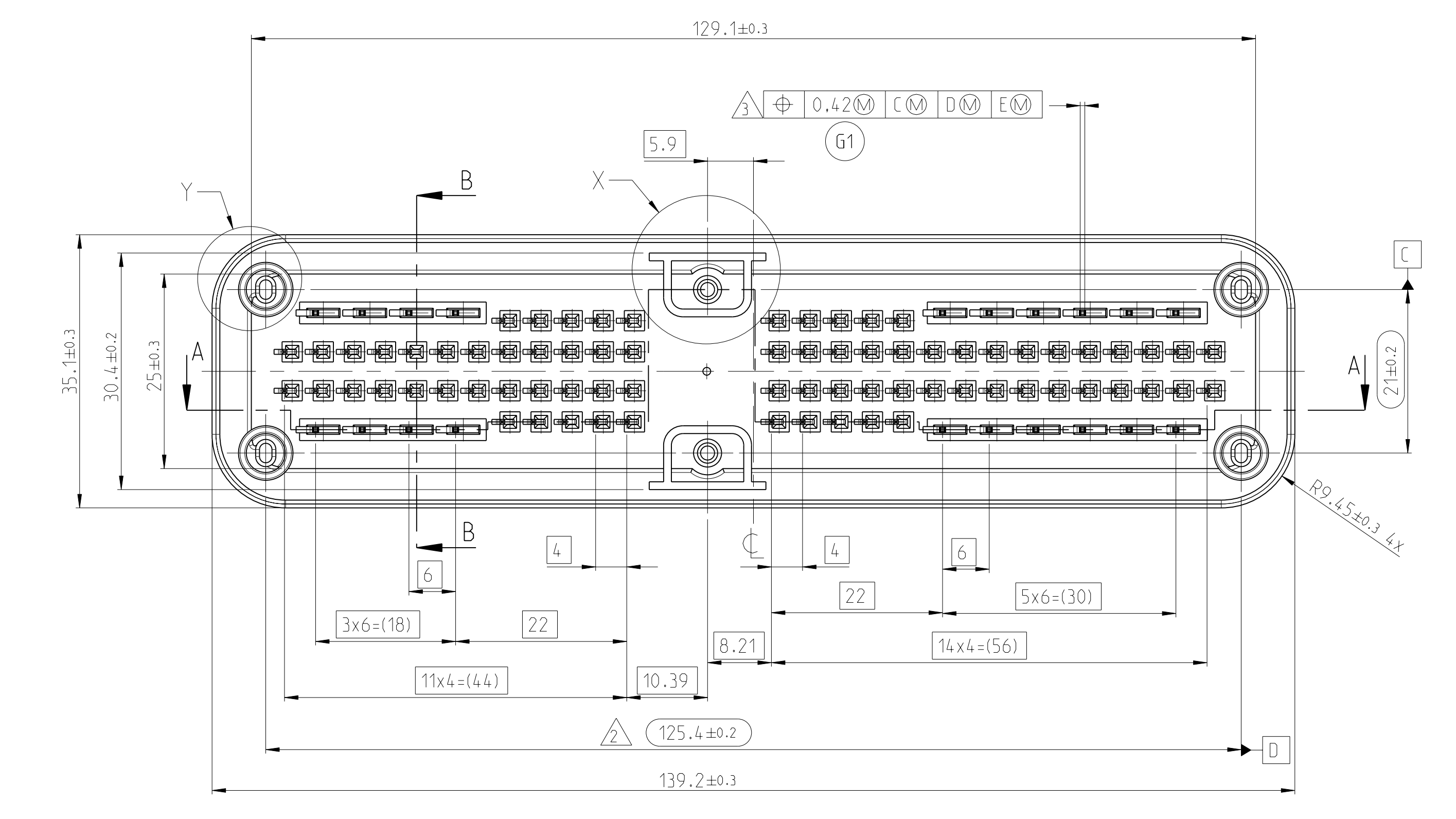
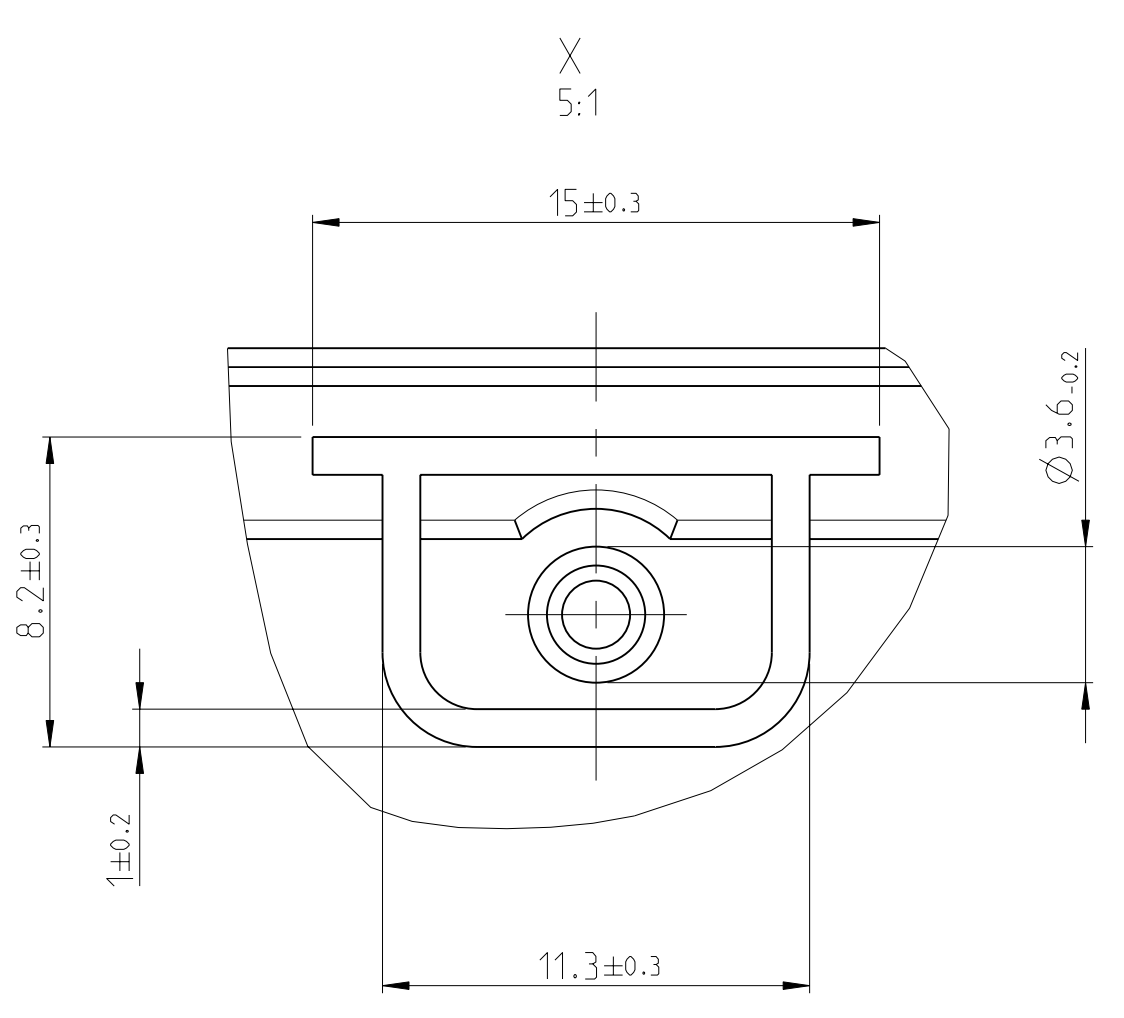
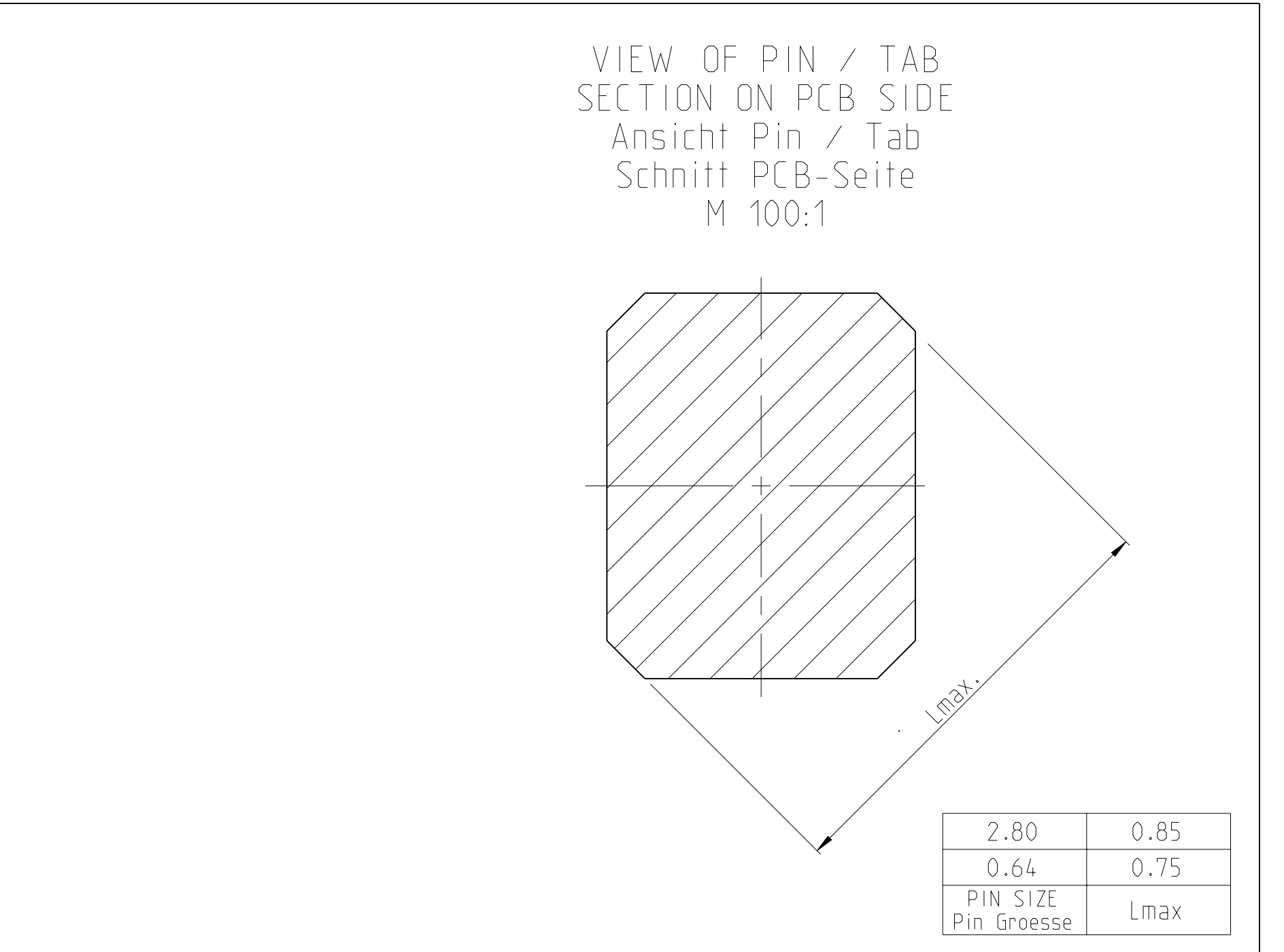
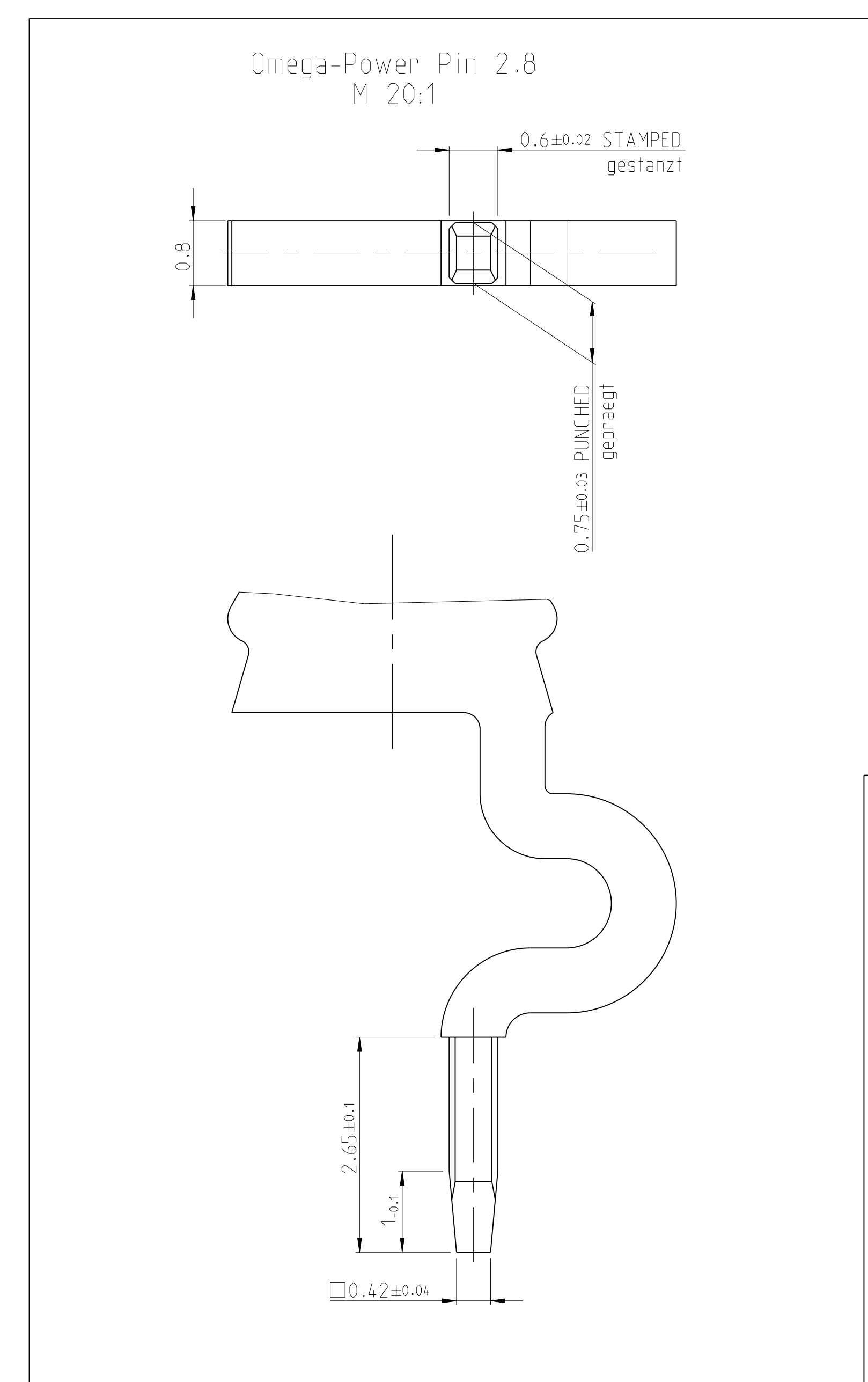
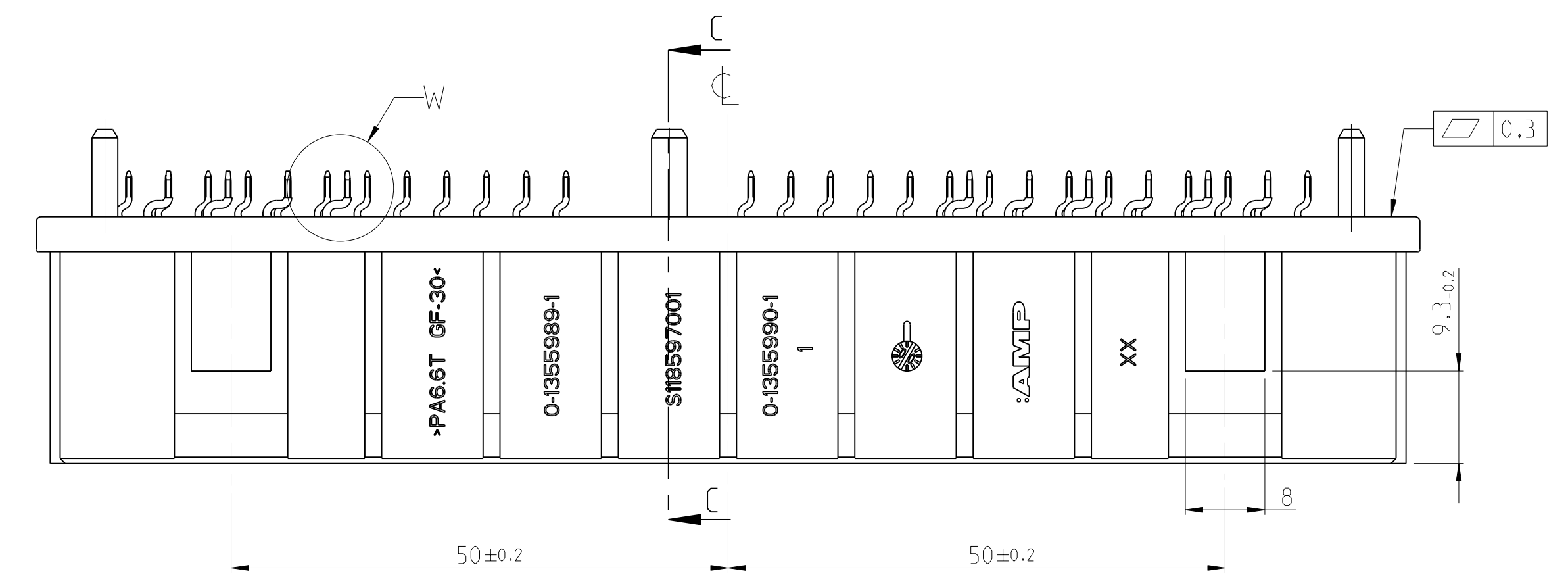
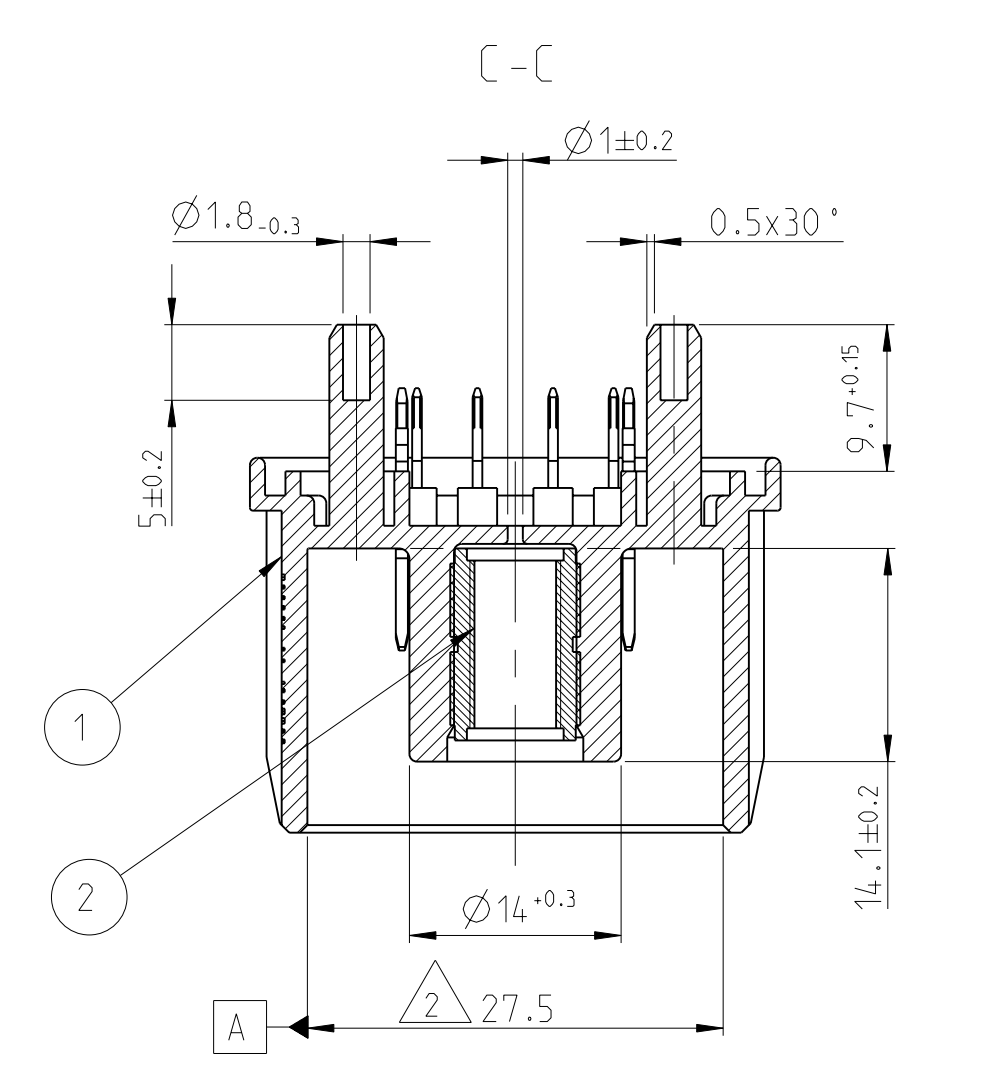
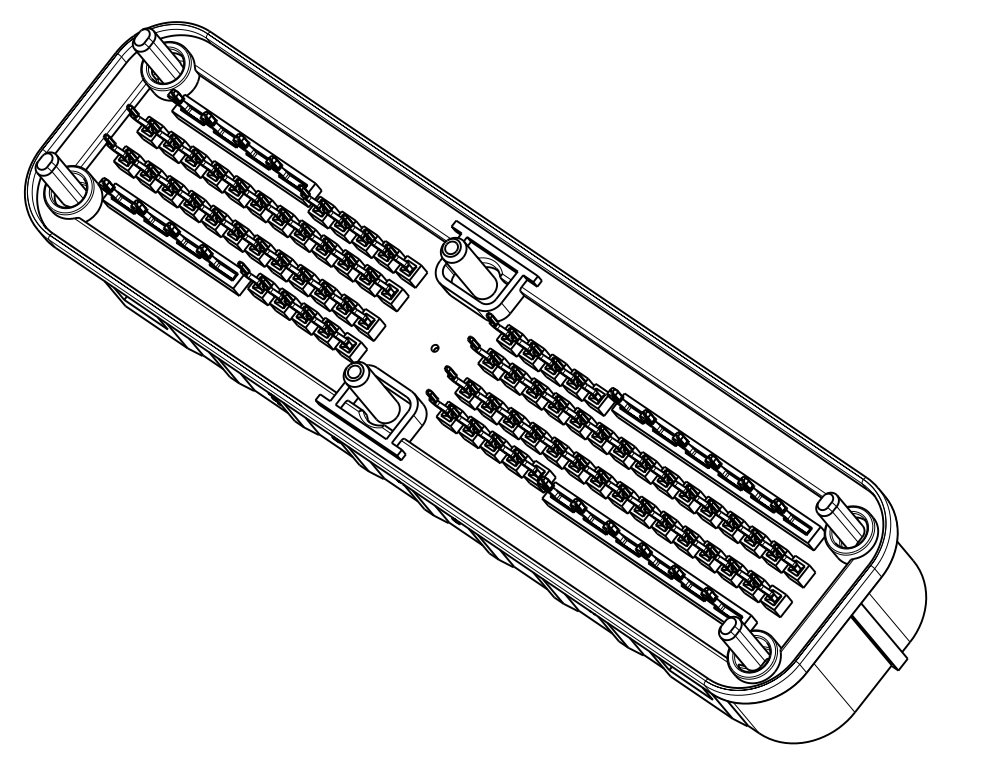
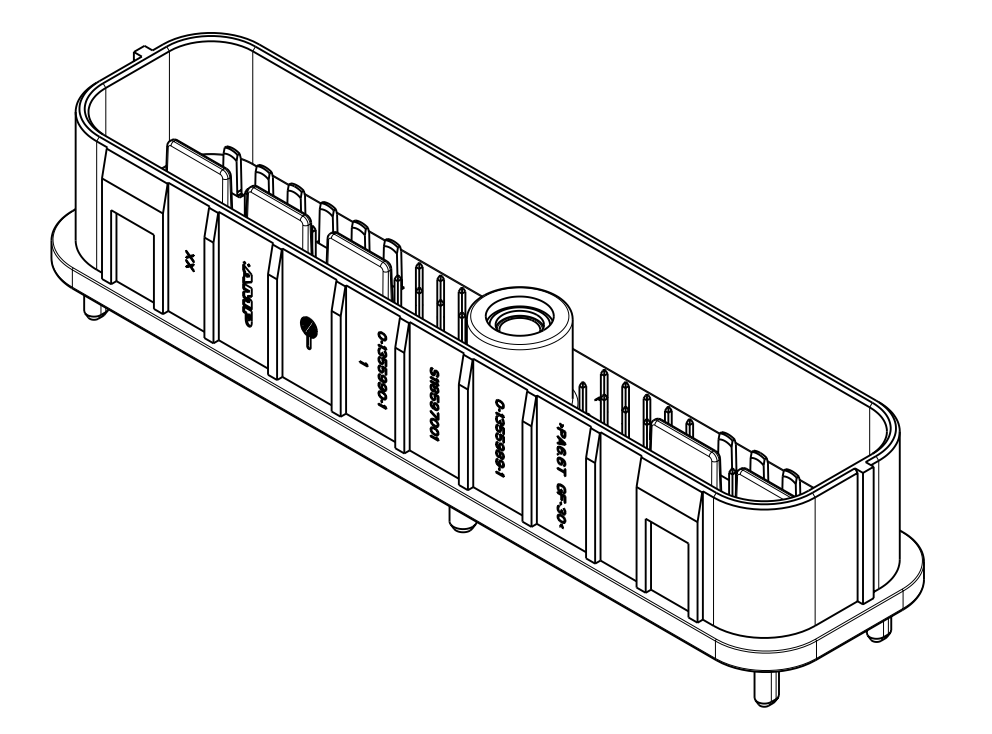
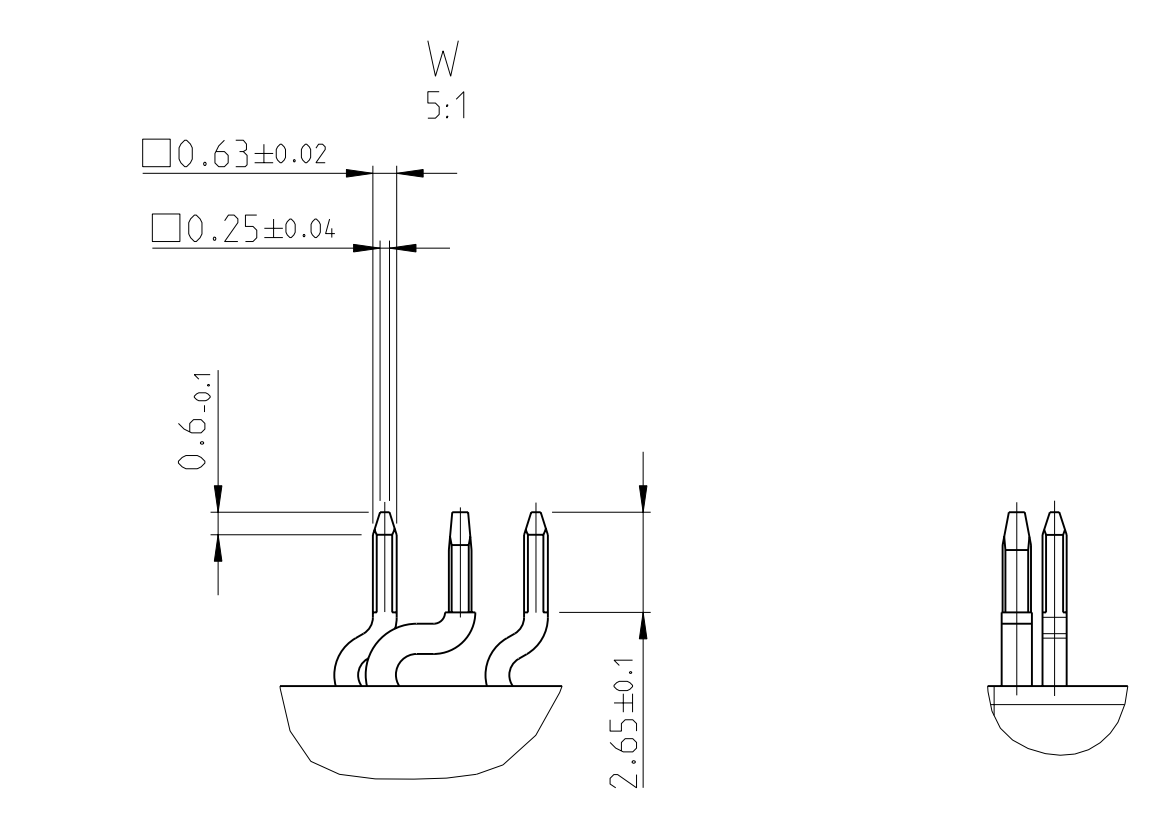
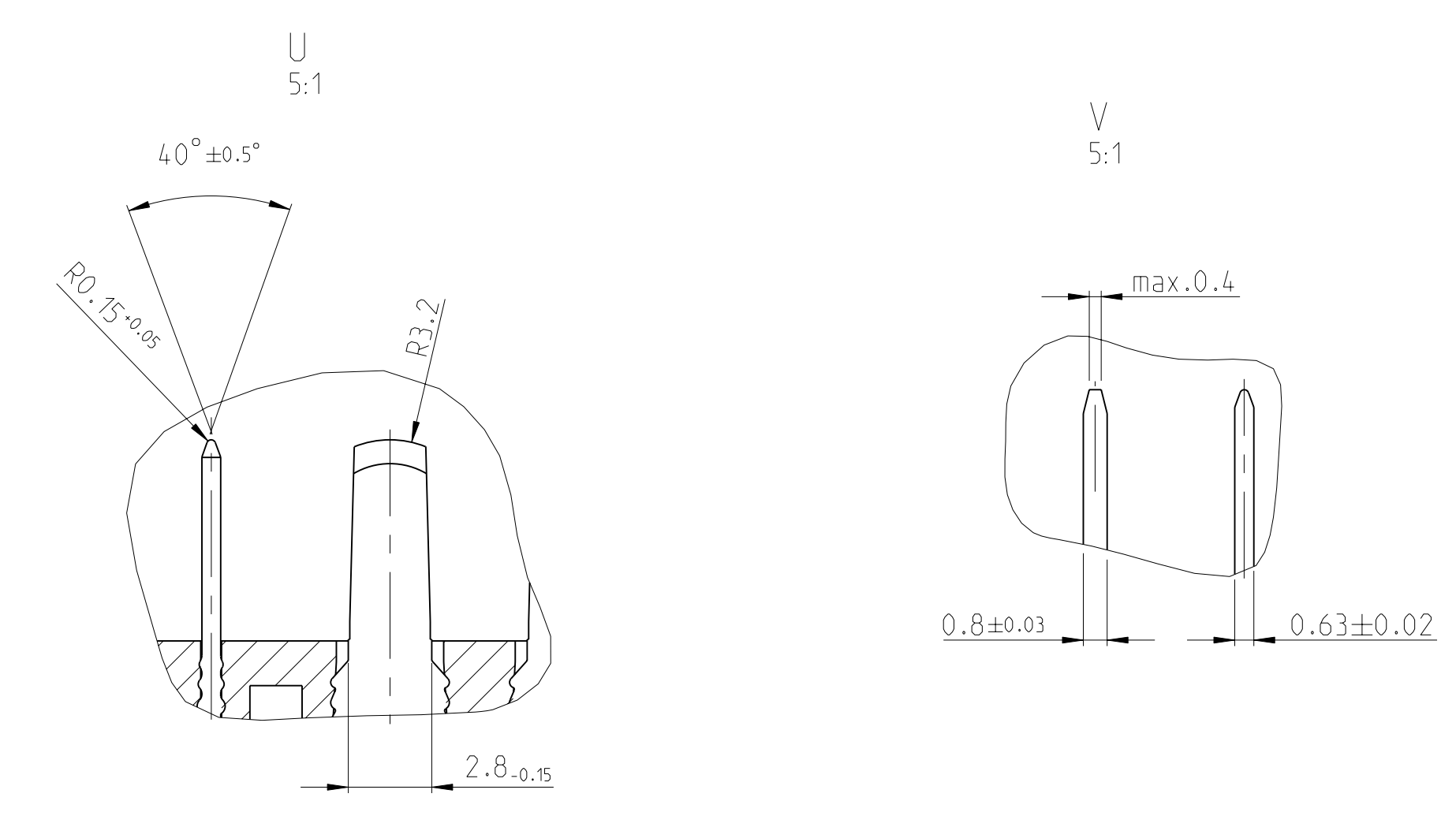
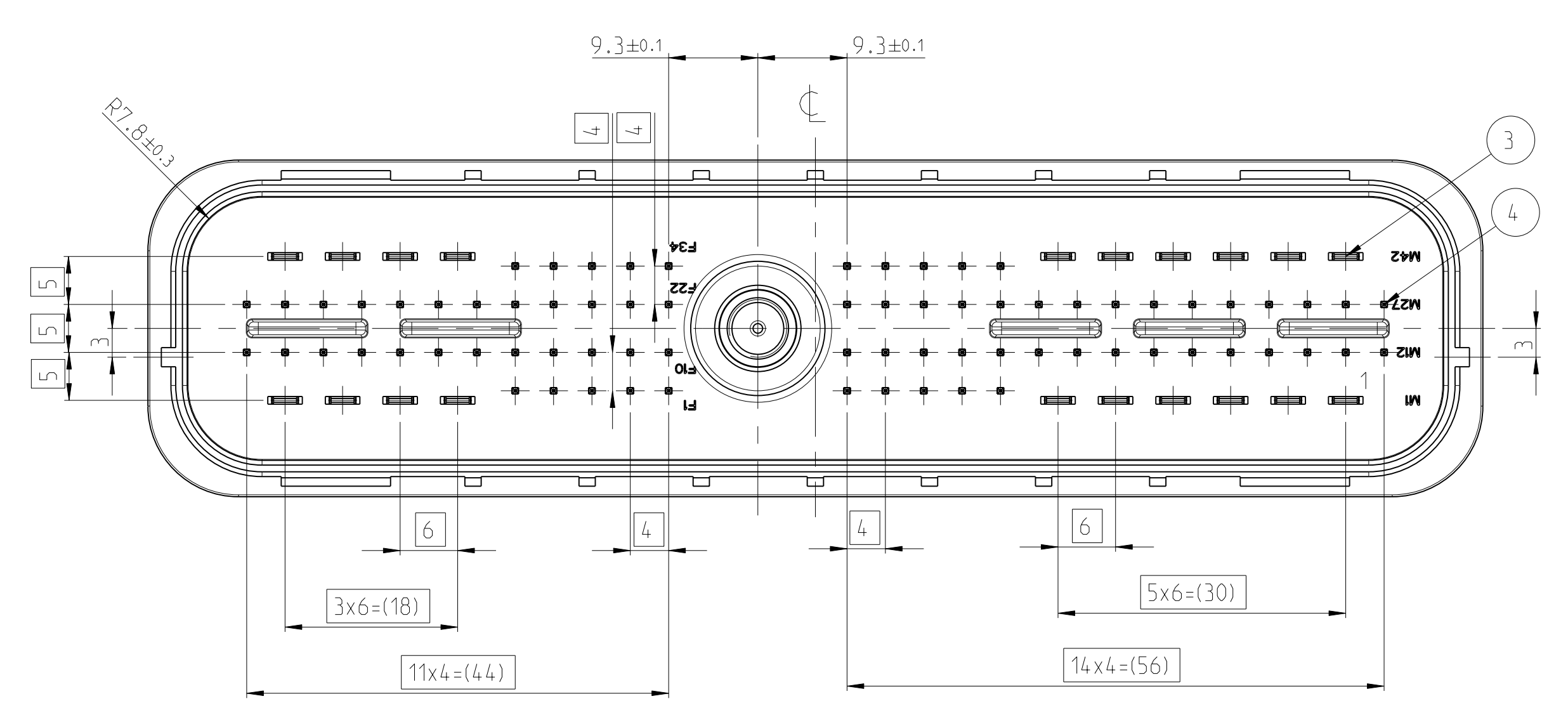
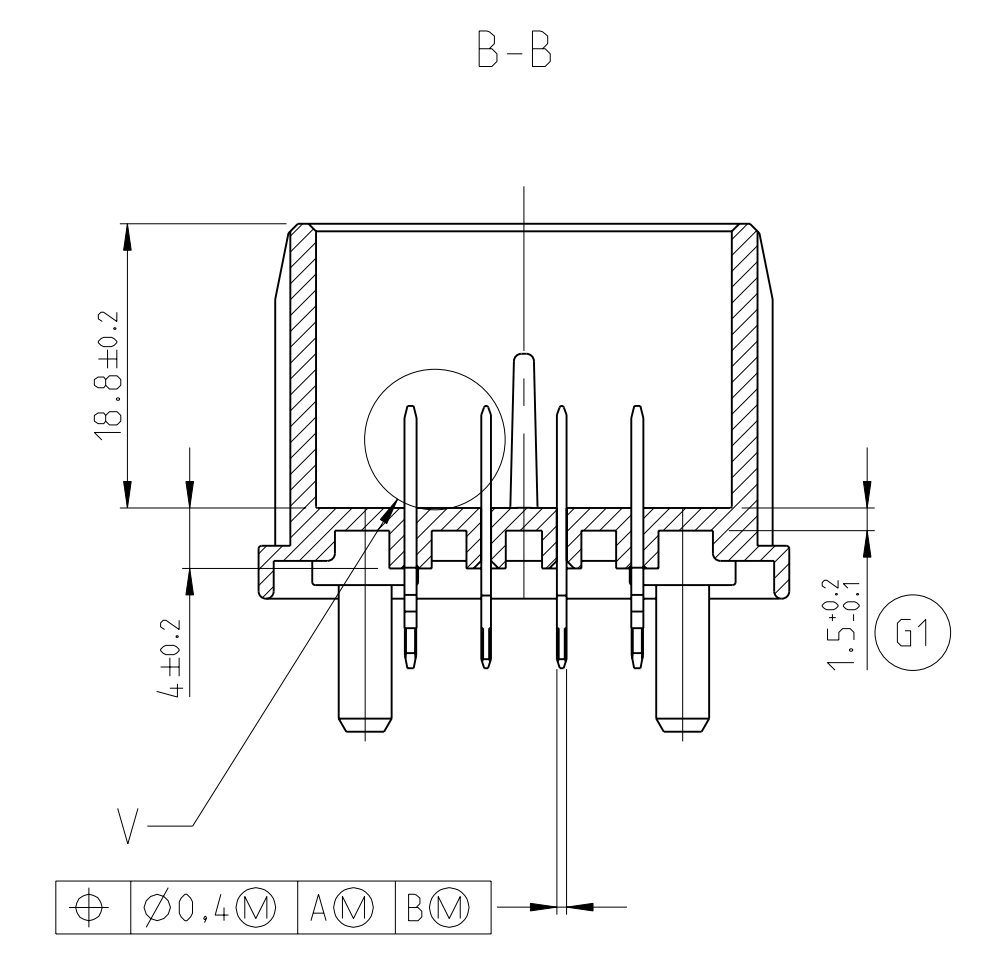


REV	DATE	BY	CHKD	DESCRIPTION
G	12JAN2006	GP	GM	
G1	07JAN2011	GP	GM	



- MATED WITH - TE-PART NO. 0-1355992-1
 FORD PART NO. 2561-14A464-PCA
 passend zu - TE-Teile-Nr. 0-1355992-1
 FORD-Teile Nr. 2561-14A464-PCA
- PROCESS CAPABILITY HAS TO DOCUMENTED FOR THE INITIAL SAMPLE INSPECTION REPORT (ISIR)
 Prozessfähigkeit muss fuer Erstmusterpruefbericht (EMPB) nachgewiesen werden
- PROCESS CAPABILITY HAS TO DOCUMENTED FOR THE INITIAL SAMPLE INSPECTION REPORT (ISIR) ON PIN M1.F10.F42
 Prozessfähigkeit muss fuer Erstmusterpruefbericht (EMPB) nachgewiesen werden an Pin M1.F10.F42
- SURROUNDING EROSION 30 ACC. TO VDI 3400
 umlaufend Erosierstufe 30 nach VDI 3400 vorsehen
- PLATING PURE TIN FOR SIGNAL AND POWER TERMINALS
 Oberfläche Reinzinn fuer Signal und Power Terminals

TE PART NO.	QTY	NATURE	DESCRIPTION	UNIT
0-1355989-1	74x	NATURE	TAB 0.64mm	4
	20x	NATURE	PIN 2.8x0.8mm	3
	1x	NATURE	NUT. CROSS KNURLED	2
	1x	PA 6.6T GF30	BLACK	1
		MATERIAL	COLOR	DESCRIPTION

THIS DRAWING IS A CONTROLLED DOCUMENT. DATE: 10JUL2000
 G. JACOBELT
 DATE: 13JUL2000
 G. JACOBELT

STE TE Connectivity
 PINHEADER 94POS FOR MCP/MDS
 Stiftleiste 94pol fuer MCP/MDS

SCALE: 5:1 SHEET 1 OF 1 REV G1