

4

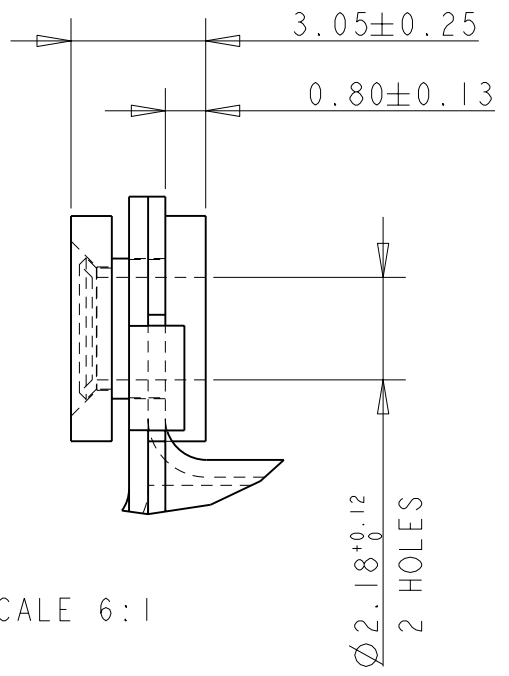
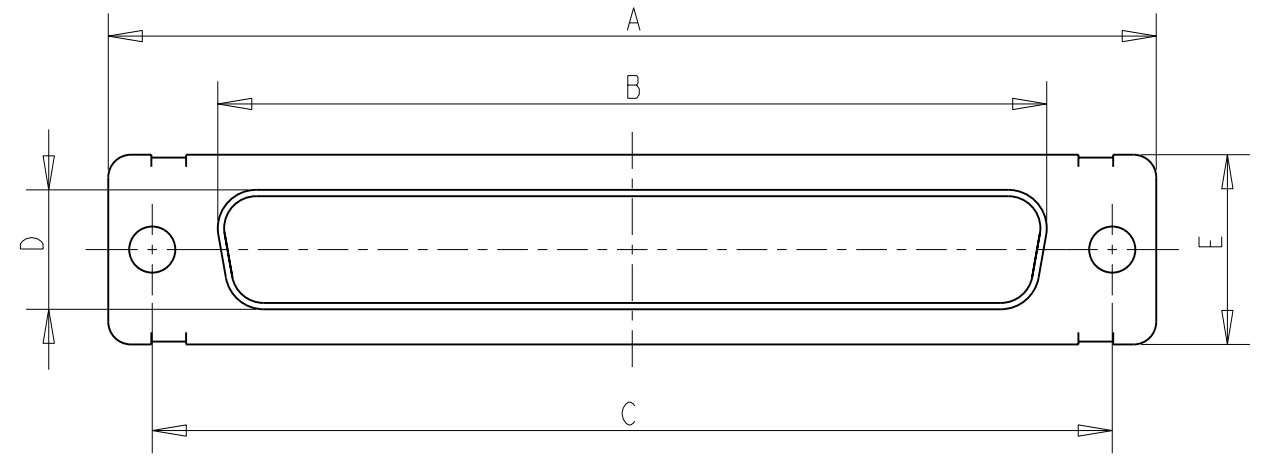
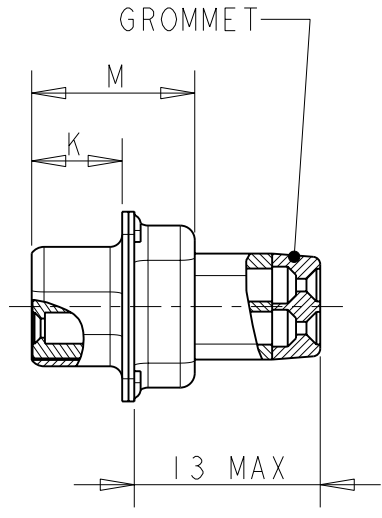
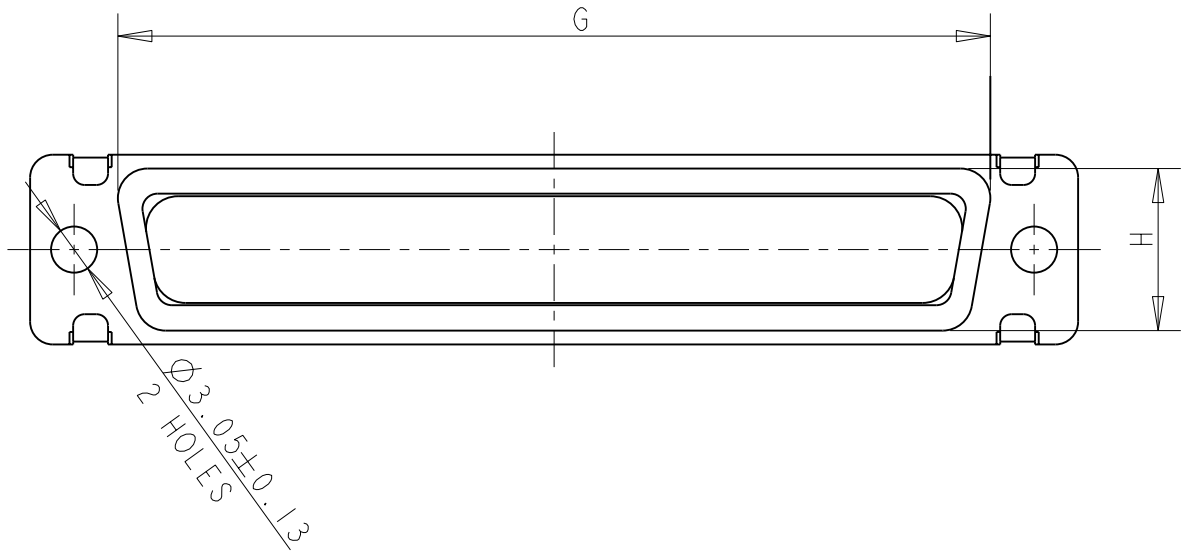
3

2

1

THIS DRAWING IS UNPUBLISHED. RELEASED FOR PUBLICATION 20
 © COPYRIGHT 20 Tyco Electronics AMP GmbH ALL RIGHTS RESERVED.

| LOC | DIST | REVISIONS | | | |
|-----|------|-------------|---|-----------|-------|
| P | LTR | DESCRIPTION | DATE | DWN | APVD |
| F | 00 | G | CLARIFICATIONS | 30JUN2009 | JT YP |
| | | H | 13 WAS 11.9 MAX. UPDATE NOTE 5 AND FORMAT | 20OCT2011 | JT YP |


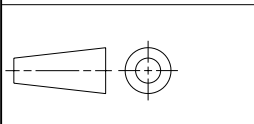


| 10.90 | 6.17 | 55.32 | 13.56 | 15.37 | 10.74 | 61.11 | 52.43 | 66.93 | RECEPTACLE WITH #20 SOCKET CONTACTS | 50 | 5 | MDP308GF - 50S2 | 6-135760-0 |
|--------|--------|--------|--------|--------|--------|--------|--------|--------|-------------------------------------|---------|------|-----------------|---------------|
| 10.90 | 6.17 | 57.71 | 10.72 | 12.55 | 7.90 | 63.50 | 54.84 | 69.32 | RECEPTACLE WITH #20 SOCKET CONTACTS | 37 | 4 | MDP308GF - 37S2 | 9-135760-5 |
| 10.90 | 6.17 | 41.30 | 10.72 | 12.55 | 7.90 | 47.04 | 38.38 | 53.04 | RECEPTACLE WITH #20 SOCKET CONTACTS | 25 | 3 | MDP308GF - 25S2 | 5-135760-9 |
| 10.90 | 6.17 | 27.51 | 10.72 | 12.55 | 7.90 | 33.32 | 24.66 | 39.14 | RECEPTACLE WITH #20 SOCKET CONTACTS | 15 | 2 | MDP308GF - 15S2 | 5-135760-8 |
| 10.90 | 6.17 | 19.28 | 10.72 | 12.55 | 7.90 | 24.99 | 16.33 | 30.81 | RECEPTACLE WITH #20 SOCKET CONTACTS | 9 | 1 | MDP308GF - 9S2 | 9-135760-4 |
| M±0.25 | K±0.13 | G±0.25 | H±0.25 | E±0.38 | D±0.13 | C±0.13 | B±0.13 | A±0.38 | DESCRIPTION | NB POS. | SIZE | OLD P/N | P/N △ 2 |

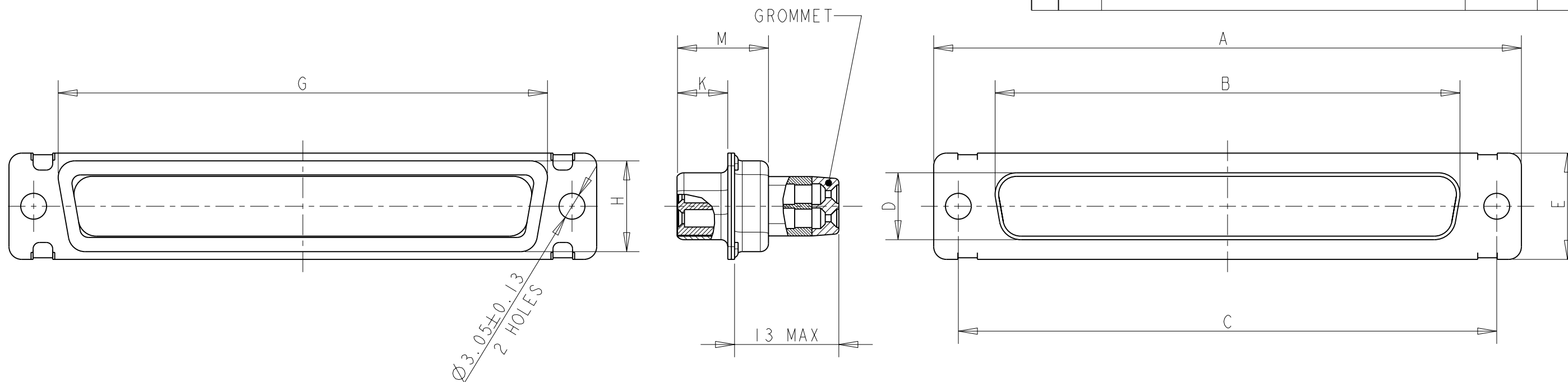
SCALE 6:1

SEE NOTES ON LAST SHEET

FLOATING BUSHING

| | | | | | |
|---|--|-------------------------------------|---|--------------------|------------------------|
| THIS DRAWING IS A CONTROLLED DOCUMENT. | | DWN Thierry CORRIOU 21APR2004 |  TE Connectivity | | |
| DIMENSIONS: mm | | CHK Yves PETRONIN 21APR2004 | | | |
| TOLERANCES UNLESS OTHERWISE SPECIFIED: | | APVD Miguel FURIO 21APR2004 | NAME SUB D RECEPTACLE WITH WIRE BUSHING MDP TYPE | | |
|  | | PRODUCT SPEC - | RESTRICTED TO | | |
| MATERIAL NOTE 3 | | APPLICATION SPEC NOTE 7 | SIZE A3 | CAGE CODE 00779 | DRAWING NO C-135760 |
| FINISH NOTE 4 | | WEIGHT - | SCALE 2:1 SHEET 1 OF 5 REV H | | |
| CUSTOMER DRAWING | | | | | |

| LOC | DIST | REVISIONS | | | |
|-----|------|-------------|-------------|-----|------|
| P | LTR | DESCRIPTION | DATE | DWN | APVD |
| F | 00 | - | SEE SHEET 1 | - | - |



| | | | | | | | | | | | | | |
|--------|--------|--------|--------|--------|--------|--------|--------|--------|-------------------------------------|---------|------|-------------------|------------|
| 10.90 | 6.17 | 58.47 | 15.14 | 16.97 | 12.32 | 63.65 | 55.60 | 69.32 | RECEPTACLE WITH #22 SOCKET CONTACTS | 104 | 6 | MDP308G - 66104S2 | 7-135760-9 |
| 10.90 | 6.17 | 55.32 | 13.56 | 15.37 | 10.74 | 61.11 | 52.43 | 66.93 | RECEPTACLE WITH #22 SOCKET CONTACTS | 78 | 5 | MDP308G - 5078S2 | 9-135760-3 |
| 10.90 | 6.17 | 57.71 | 10.72 | 12.55 | 7.90 | 63.50 | 54.84 | 69.32 | RECEPTACLE WITH #22 SOCKET CONTACTS | 62 | 4 | MDP308G - 3762S2 | 9-135760-1 |
| 10.90 | 6.17 | 41.30 | 10.72 | 12.55 | 7.90 | 47.04 | 38.38 | 53.04 | RECEPTACLE WITH #22 SOCKET CONTACTS | 44 | 3 | MDP308G - 2544S2 | 6-135760-9 |
| 10.90 | 6.17 | 27.51 | 10.72 | 12.55 | 7.90 | 33.32 | 24.66 | 39.14 | RECEPTACLE WITH #22 SOCKET CONTACTS | 26 | 2 | MDP308G - 1526S2 | 8-135760-8 |
| 10.90 | 6.17 | 19.28 | 10.72 | 12.55 | 7.90 | 24.99 | 16.33 | 30.81 | RECEPTACLE WITH #22 SOCKET CONTACTS | 15 | 1 | MDP308G - 915S2 | 8-135760-6 |
| 10.90 | 6.17 | 55.32 | 13.56 | 15.37 | 10.74 | 61.11 | 52.43 | 66.93 | RECEPTACLE WITH #20 SOCKET CONTACTS | 50 | 5 | MDP308G - 50S2 | 5-135760-7 |
| 10.90 | 6.17 | 57.71 | 10.72 | 12.55 | 7.90 | 63.50 | 54.84 | 69.32 | RECEPTACLE WITH #20 SOCKET CONTACTS | 37 | 4 | MDP308G - 37S2 | 5-135760-6 |
| 10.90 | 6.17 | 41.30 | 10.72 | 12.55 | 7.90 | 47.04 | 38.38 | 53.04 | RECEPTACLE WITH #20 SOCKET CONTACTS | 25 | 3 | MDP308G - 25S2 | 5-135760-5 |
| 10.90 | 6.17 | 27.51 | 10.72 | 12.55 | 7.90 | 33.32 | 24.66 | 39.14 | RECEPTACLE WITH #20 SOCKET CONTACTS | 15 | 2 | MDP308G - 15S2 | 8-135760-3 |
| 10.90 | 6.17 | 19.28 | 10.72 | 12.55 | 7.90 | 24.99 | 16.33 | 30.81 | RECEPTACLE WITH #20 SOCKET CONTACTS | 9 | 1 | MDP308G - 9S2 | 5-135760-4 |
| M±0.25 | K±0.13 | G±0.25 | H±0.25 | E±0.38 | D±0.13 | C±0.13 | B±0.13 | A±0.38 | DESCRIPTION | NB POS. | SIZE | OLD P/N | P/N 2 |

SEE NOTES ON LAST SHEET

THIS DRAWING IS A CONTROLLED DOCUMENT.

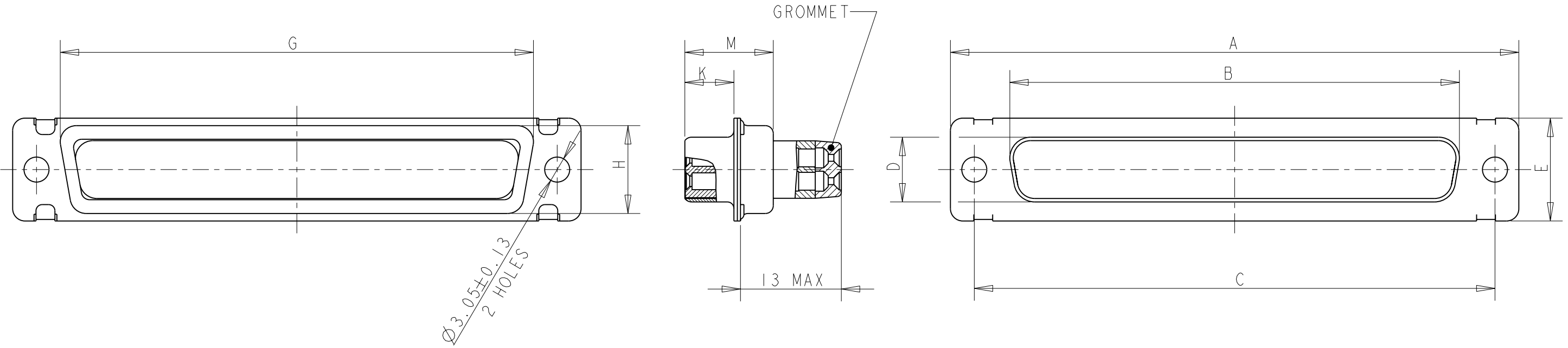
| | |
|-----------------|--|
| DIMENSIONS: | TOLERANCES UNLESS OTHERWISE SPECIFIED: |
| mm | 0 PLC ±0.13 |
| | 1 PLC ±0.13 |
| | 2 PLC ±0.13 |
| | 3 PLC ± |
| | 4 PLC ± |
| | ANGLES ±1 |
| MATERIAL NOTE 3 | FINISH NOTE 4 |

| | |
|------------------|-----------------|
| DWN | 21APR2004 |
| CHK | Thierry CORRIOU |
| APVD | 21APR2004 |
| PRODUCT SPEC | Yves PETRONIN |
| APPLICATION SPEC | Miguel FURIO |
| NOTE 7 | |
| WEIGHT | - |
| CUSTOMER DRAWING | |

| | |
|---|---------------|
| STE TE Connectivity | |
| NAME SUB D RECEPTACLE WITH WIRE BUSHING MDP TYPE | |
| SIZE | CAGE CODE |
| A3 | 00779 |
| DRAWING NO | RESTRICTED TO |
| C=135760 | - |

THIS DRAWING IS UNPUBLISHED. RELEASED FOR PUBLICATION 20
 © COPYRIGHT 20 Tyco Electronics AMP GmbH ALL RIGHTS RESERVED.

| LOC | DIST | REVISIONS | | | |
|-----|------|-------------|-------------|-----|------|
| P | LTR | DESCRIPTION | DATE | DWN | APVD |
| F | 00 | - | SEE SHEET 1 | - | - |



| | | | | | | | | | | | | | |
|--------|--------|--------|--------|--------|--------|--------|--------|--------|--------------------------|--------|------|-------------------------|------------|
| 10.90 | 6.17 | 58.47 | 15.14 | 16.97 | 12.32 | 63.65 | 55.60 | 69.32 | RECEPTACLE, HIGH DENSITY | 104 | 6 | MDP308G - 66104S2 - 001 | 8-135760-0 |
| 10.90 | 6.17 | 55.32 | 13.56 | 15.37 | 10.74 | 61.11 | 52.43 | 66.93 | RECEPTACLE, HIGH DENSITY | 78 | 5 | MDP308G - 5078S2 - 001 | 9-135760-2 |
| 10.90 | 6.17 | 57.71 | 10.72 | 12.55 | 7.90 | 63.50 | 54.84 | 69.32 | RECEPTACLE, HIGH DENSITY | 62 | 4 | MDP308G - 3762S2 - 001 | 9-135760-0 |
| 10.90 | 6.17 | 41.30 | 10.72 | 12.55 | 7.90 | 47.04 | 38.38 | 53.04 | RECEPTACLE, HIGH DENSITY | 44 | 3 | MDP308G - 2544S2 - 001 | 8-135760-9 |
| 10.90 | 6.17 | 27.51 | 10.72 | 12.55 | 7.90 | 33.32 | 24.66 | 39.14 | RECEPTACLE, HIGH DENSITY | 26 | 2 | MDP308G - 1526S2 - 001 | 8-135760-7 |
| 10.90 | 6.17 | 19.28 | 10.72 | 12.55 | 7.90 | 24.99 | 16.33 | 30.81 | RECEPTACLE, HIGH DENSITY | 15 | 1 | MDP308G - 915S2 - 001 | 8-135760-5 |
| 10.90 | 6.17 | 55.32 | 13.56 | 15.37 | 10.74 | 61.11 | 52.43 | 66.93 | RECEPTACLE | 50 | 5 | MDP308G - 50S2 - 001 | 4-135760-5 |
| 10.90 | 6.17 | 57.71 | 10.72 | 12.55 | 7.90 | 63.50 | 54.84 | 69.32 | RECEPTACLE | 37 | 4 | MDP308G - 37S2 - 001 | 4-135760-4 |
| 10.90 | 6.17 | 41.30 | 10.72 | 12.55 | 7.90 | 47.04 | 38.38 | 53.04 | RECEPTACLE | 25 | 3 | MDP308G - 25S2 - 001 | 4-135760-6 |
| 10.90 | 6.17 | 27.51 | 10.72 | 12.55 | 7.90 | 33.32 | 24.66 | 39.14 | RECEPTACLE | 15 | 2 | MDP308G - 15S2 - 001 | 4-135760-3 |
| 10.90 | 6.17 | 19.28 | 10.72 | 12.55 | 7.90 | 24.99 | 16.33 | 30.81 | RECEPTACLE | 9 | 1 | MDP308G - 9S2 - 001 | 4-135760-2 |
| M±0.25 | K±0.13 | G±0.25 | H±0.25 | E±0.38 | D±0.13 | C±0.13 | B±0.13 | A±0.38 | DESCRIPTION | NB POS | SIZE | OLD P/N | P/N 2 |

SEE NOTES ON LAST SHEET

THIS DRAWING IS A CONTROLLED DOCUMENT.

DIMENSIONS: mm

TOLERANCES UNLESS OTHERWISE SPECIFIED:

| | |
|--------|--------|
| 0 PLC | ±0.13 |
| 1 PLC | ±0.13 |
| 2 PLC | ±0.13 |
| 3 PLC | ± |
| 4 PLC | ± |
| ANGLES | ±1 |
| FINISH | NOTE 4 |

MATERIAL NOTE 3

APVD: 21APR2004 Miguel FURIO

CHK: 21APR2004 Yves PETRONIN

DWN: 21APR2004 Thierry CORRIOU

PRODUCT SPEC:

APPLICATION SPEC: NOTE 7

WEIGHT: -

CUSTOMER DRAWING

STE TE Connectivity

NAME: SUB D RECEPTACLE WITH WIRE BUSHING MDP TYPE

SIZE: A3 CAGE CODE: 00779 DRAWING NO: C-135760 RESTRICTED TO: -

SCALE: 2:1 SHEET: 3 OF 5 REV: H

THIS DRAWING IS UNPUBLISHED.

RELEASED FOR PUBLICATION

20

© COPYRIGHT 20

Tyco Electronics AMP GmbH

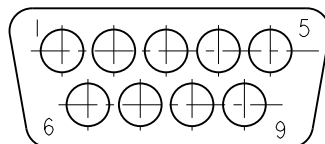
ALL RIGHTS RESERVED.

LOC F DIST 00

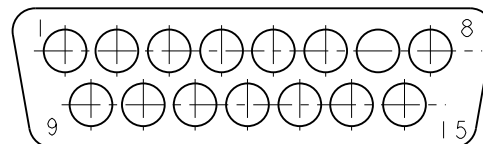
REVISIONS

| P | LTR | DESCRIPTION | DATE | DWN | APVD |
|---|-----|-------------|------|-----|------|
| | - | SEE SHEET 1 | - | - | - |
| | | | | | |
| | | | | | |

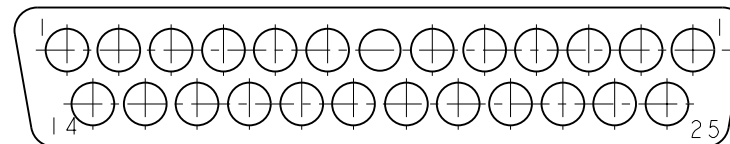
MATING FACE OF PLUG SHOWN CONFIGURATIONS FOR #20 CONTACTS



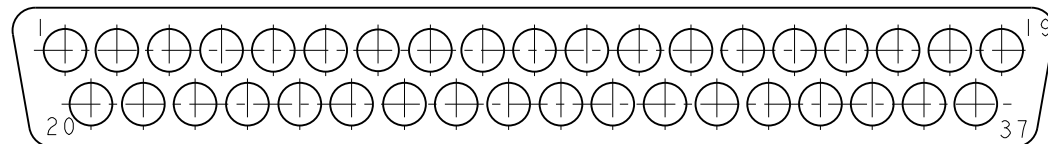
9 POSITION MS18273-1
SHELL SIZE 1



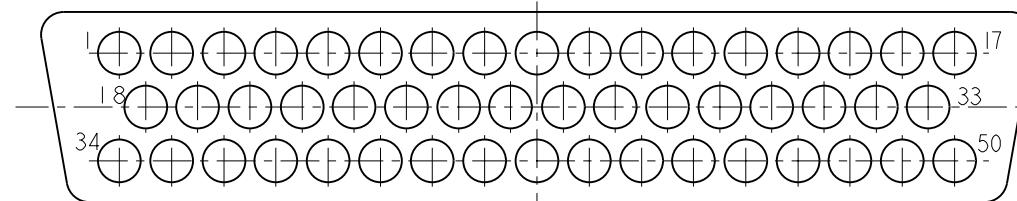
15 POSITION MS18274-1
SHELL SIZE 2



25 POSITION MS18275-1
SHELL SIZE 3

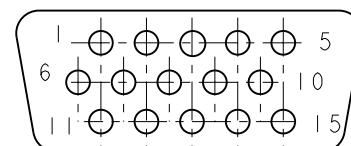


37 POSITION MS18276-1
SHELL SIZE 4

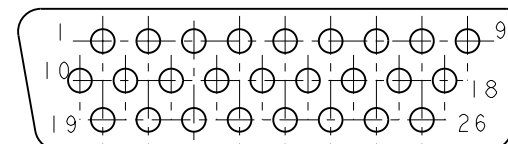


50 POSITION MS18277-1
SHELL SIZE 5

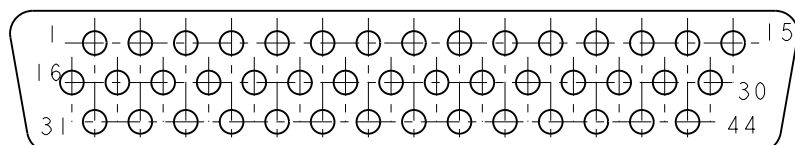
CONFIGURATIONS FOR #22 CONTACTS MATING FACE OF PLUG SHOWN



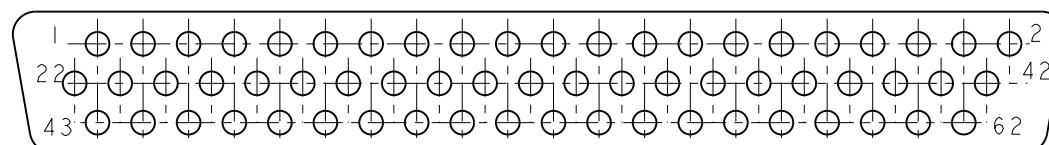
15 POSITION MS18273-2
SHELL SIZE 1



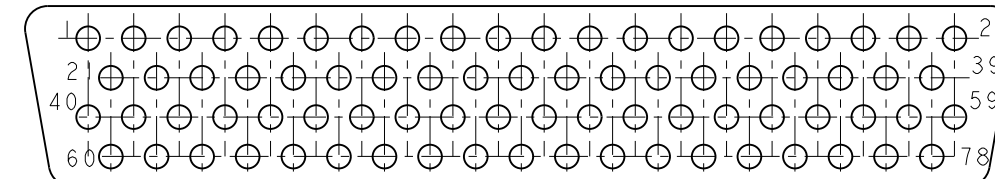
26 POSITION MS18274-2
SHELL SIZE 2



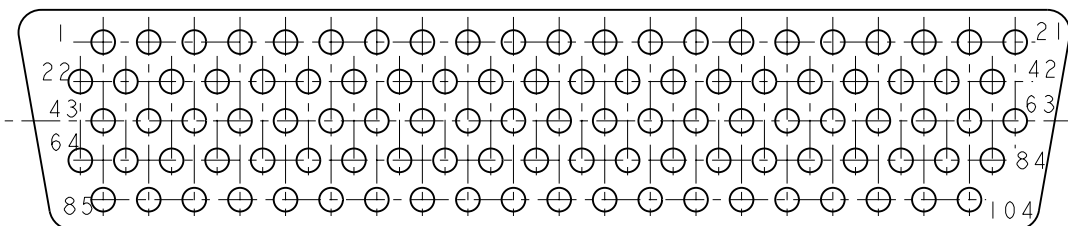
44 POSITION MS18275-2
SHELL SIZE 3



62 POSITION MS18276-2
SHELL SIZE 4


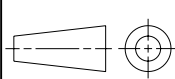


78 POSITION MS18277-2
SHELL SIZE 5



104 POSITION MS14004-1
SHELL SIZE 6

SEE NOTES ON LAST SHEET

| | | | | | |
|---|--|----------------------------------|---|--------------------|------------------------|
| THIS DRAWING IS A CONTROLLED DOCUMENT. | | DWN 21APR2004 Thierry CORRIOU |  TE Connectivity | | |
| DIMENSIONS: mm | | CHK 21APR2004 Yves PETRONIN | | | |
| TOLERANCES UNLESS OTHERWISE SPECIFIED: | | APVD 21APR2004 Miguel FURIO | NAME SUB D RECEPTACLE WITH WIRE BUSHING MDP TYPE | | |
|  | | PRODUCT SPEC - | APPLICATION SPEC NOTE 7 | | |
| MATERIAL NOTE 3 | | FINISH NOTE 4 | SIZE A3 | CAGE CODE 00779 | DRAWING NO C-135760 |
| | | WEIGHT - | RESTRICTED TO - | | |
| | | CUSTOMER DRAWING | SCALE 1:1 | SHEET 4 OF 5 | REV H |

THIS DRAWING IS UNPUBLISHED. RELEASED FOR PUBLICATION 20

© COPYRIGHT 20 Tyco Electronics AMP GmbH ALL RIGHTS RESERVED.

| LOC | DIST | REVISIONS | | | | | |
|-----|------|-----------|-----|-------------|------|-----|------|
| | | P | LTR | DESCRIPTION | DATE | DWN | APVD |
| F | 00 | | - | SEE SHEET 1 | - | - | - |
| | | | | | | | |
| | | | | | | | |

1 THIS CONNECTOR MEETS THE REQUIREMENTS OF MIL-DTL-24308

2 PART NUMBER FOR ORDERING

3- MATERIALS :

- SHELL : STEEL,CD PLATED
- HOUSING : PBT,GLASS FILLED,UL94VO
- RETAINING CLIP : STAINLESS STEEL
- GROMMET AND INTERFACIAL SEAL : FLUOROSILICONE ELASTOMER
- SEALING COMPOUND : RTV
- CONTACT:COPPER ALLOY,GOLD PLATED OVER NICKEL

4- CABLES EXTERNAL DIAMETER FOR CONTACTS #20 : $\varnothing 0.85$ to $\varnothing 1.83$
 CABLES EXTERNAL DIAMETER FOR CONTACTS #22 : $\varnothing 1.37$ MAX

5- CONNECTOR MARKING:

- . MANUFACTURER IDENTIFICATION
- . PART NUMBER
- . DATE-CODE

6- INSERT ARRANGEMENT PER MIL-DTL-24308


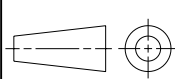
7- FOR CONTACT CRIMPING INSTRUCTION SHEET REFER TO SPEC IS 7516
 FOR CONTACT INSTALATION/ REMOVAL INSTRUCTION SHEET REFER TO SPEC IS 7508

8- #20 SOCKET CRIMP CONTACT P/N: 205090-1
 #20 PIN CRIMP CONTACT P/N: 205089-1

#22D SOCKET CRIMP CONTACT P/N: 204351-1
 #22D PIN CRIMP CONTACT P/N: 204370-2

9- INSERTION/EXTRACTION TOOL P/N: 91067-2
 INSERTION/EXTRACTION TOOL P/N: 91067-1

10- CRIMP WITH HAND TOOL: 601966-1+ DIE INSERT : 601966-4
 CRIMP WITH HAND TOOL: M22520/02-01 + POSITIONNER : M22520/02-06

| | | | | |
|---|------------------|-------------------------------------|---|----------------------|
| THIS DRAWING IS A CONTROLLED DOCUMENT. | | DWN Thierry CORRIOU 21APR2004 |  TE Connectivity | |
| DIMENSIONS: mm | | CHK Yves PETRONIN 21APR2004 | | |
| TOLERANCES UNLESS OTHERWISE SPECIFIED: | | APVD Miguel FURIO 21APR2004 | NAME SUB D RECEPTACLE WITH WIRE BUSHING MDP TYPE | |
|  | | PRODUCT SPEC - | SIZE A3 | |
| 0 PLC ±0.13 1 PLC ±0.13 2 PLC ±0.13 3 PLC ± 4 PLC ± ANGLES ±1 | | APPLICATION SPEC NOTE 7 | CAGE CODE 00779 | DRAWING NO 135760 |
| MATERIAL NOTE 3 | FINISH NOTE 4 | WEIGHT - | RESTRICTED TO - | |
| CUSTOMER DRAWING | | | SCALE 1:1 | SHEET 5 OF 5 |
| | | | REV H | |