

4

3

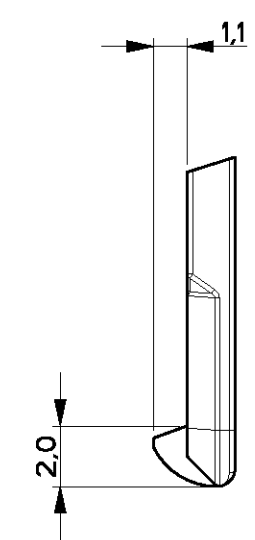
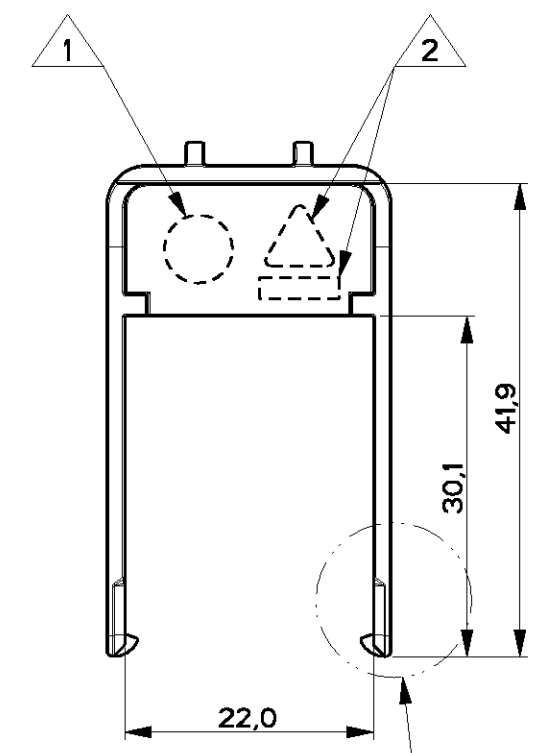
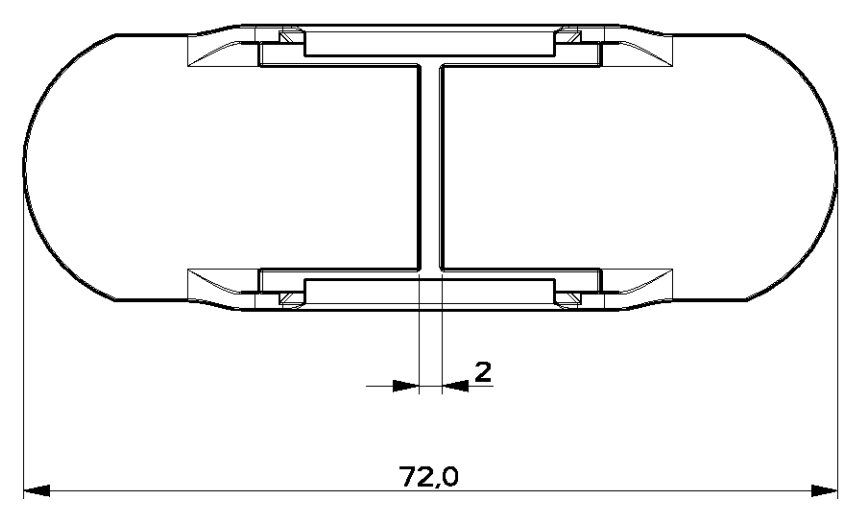
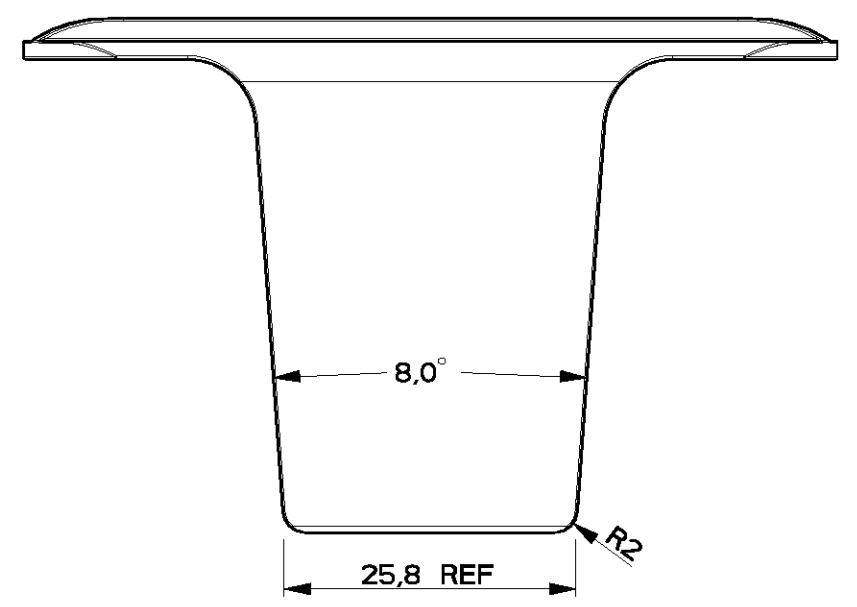
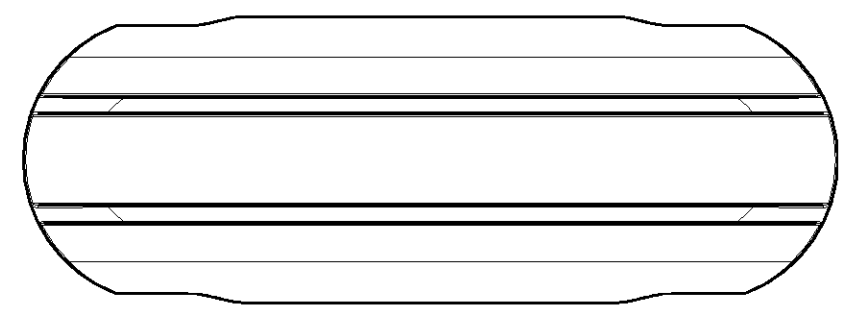
2

1

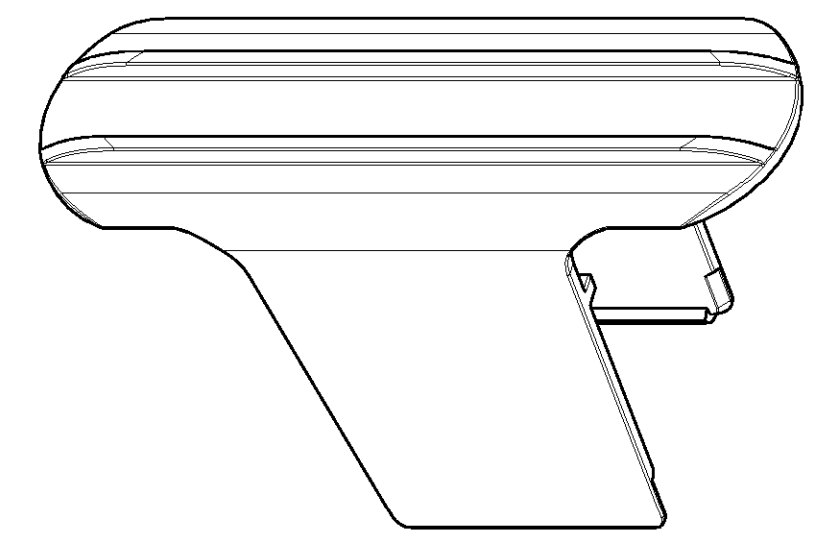
THIS DRAWING IS UNPUBLISHED. ~~XXXXXXXXXXXX~~ DATE: -
 © COPYRIGHT - 97 By Tyco Electronics Nederland B.V. ALL RIGHTS RESERVED.

LOC	DIST	REVISIONS			
		LTR	DESCRIPTION	DATE	APVD
H	-	C	--	26JUN00	JVG
		D	--	05MAR01	JVG
		E	EH00-1060-01	28SEP01	JJ

NOTES:
 1 PRODUCTION DATE MARKING
 2 MATERIAL MARKING



DETAIL A
 SCALE 4:1



0-1365382-1 AS SHOWN

THIS DRAWING IS A CONTROLLED DOCUMENT FOR Tyco Electronics Nederland B.V. IT IS SUBJECT TO CHANGE AND THE CONTROLLING ENGINEERING ORGANIZATION SHOULD BE CONTACTED FOR THE LATEST REVISION.

DIMENSIONS:	TOLERANCES UNLESS OTHERWISE SPECIFIED:
mm	
	0 PLC ± 0.3
	1 PLC ± 0.3
	2 PLC ± -
	3 PLC ± -
	4 PLC ± -
	ANGLES ± 0.2°
MATERIAL	FINISH
-	-

1	COVER FOR POWERBLOCK	PA6 30% GF	BLACK	1
ITEM	DESCRIPTION	MATERIAL	COLOR	QTY
DWN	A. V. ROESSEL	AMP Tyco Electronics Nederland B.V. 's-HERTOGENBOSCH, THE NETHERLANDS NAME COVER POWERBLOCK		
CHK	J. V. GRUNSVEN			
APVD	J. V. GRUNSVEN			
PRODUCT SPEC	-	SIZE	CAGE CODE	DRAWING NO
APPLICATION SPEC	-	A3	00779	C- 1365382
WEIGHT	-	SCALE 3:2 SHEET 1 OF 1 REV E		