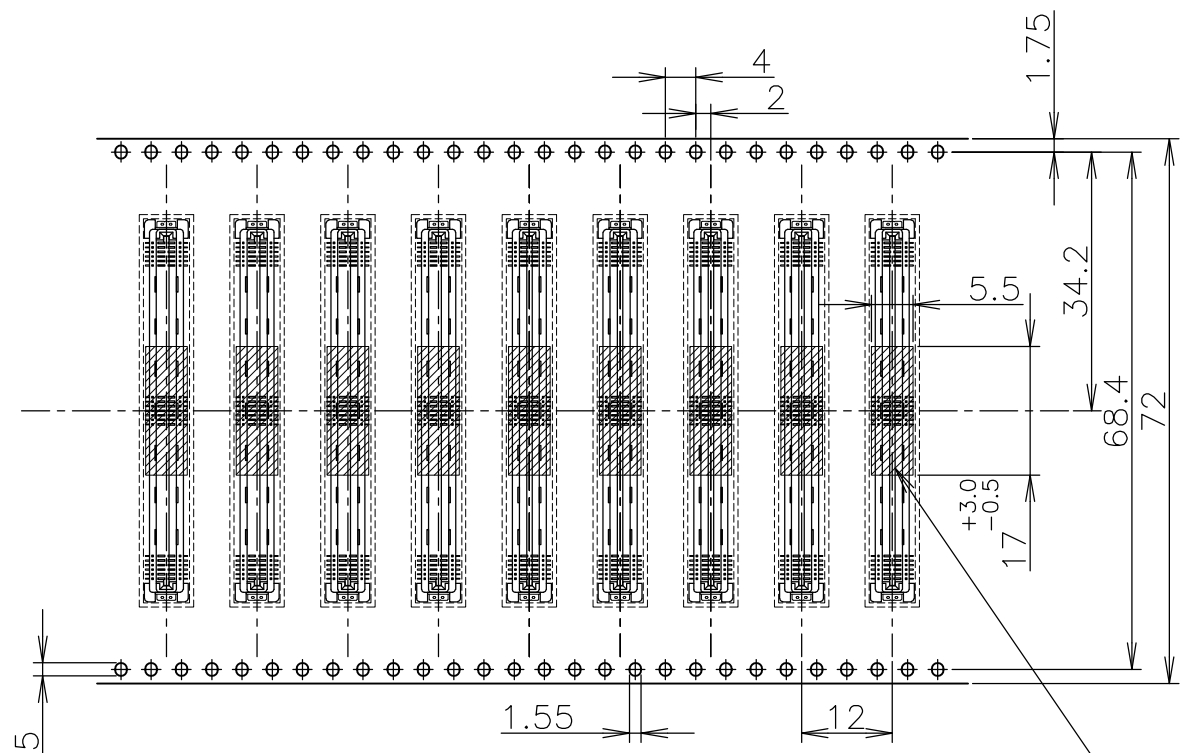
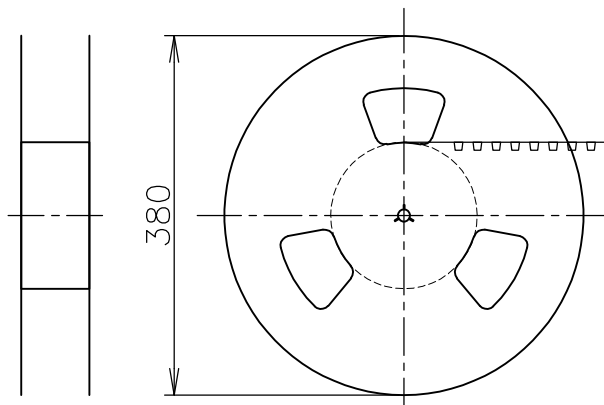


THIS DRAWING IS UNPUBLISHED. RELEASED FOR PUBLICATION JUN ,2000.  
 © COPYRIGHT 2000 BY TYCO ELECTRONICS CORPORATION. ALL RIGHTS RESERVED.

LOC	DIST	REVISIONS 変更			
P	LTR	DESCRIPTION	DATE	DWN	APVD
	A	REVISED (FJB0-1096-04)	2NOV04	K.Y	H.M
	A1	REVISED ECO-09-024927	09NOV09	KK	AEG



接着剤付ポリイミドフィルム  
1枚(厚さ=0.05)  
ONE SHEET OF POLYIMIDE FILM  
WITH ADHESIVE (t = 0.05)



空部 300mm 程度 WITHOUT CHARGE APPROX  
 製品装填部 WITH PRODUCT CHARGE  
 空部 300mm 程度 WITHOUT CHARGE APPROX

WINDING THE COVER TAPE  
AROUND THE OUTER PERIPHERY IN A TURN  
カバーテープリーダー部 外周一巻

2	OBSOLETE	900	150	1123088-1	1376045-1
		QTY PER REEL	極数 POS.	コネクタ型番 CONN.P/N	エンボス型番 EMBOSS P/N

1 材料;エンボステープ: PP 色: 黒  
カバーテープ: PET  
1 MATERIAL;EMBOSS TAPE: PP COLOR: BLACK  
COVER TAPE: PET

2 OBSOLETE PARTS: OBSOLETE CIS STREAMLINING  
PER D.RENAUD/D.SINISI

GENERAL TOLERANCE 一般公差	10 ≥ : ±0.2 30 ≥ > 10: ±0.25 100 ≥ > 30: ±0.3 ANGLES: ±3°
---------------------------	--

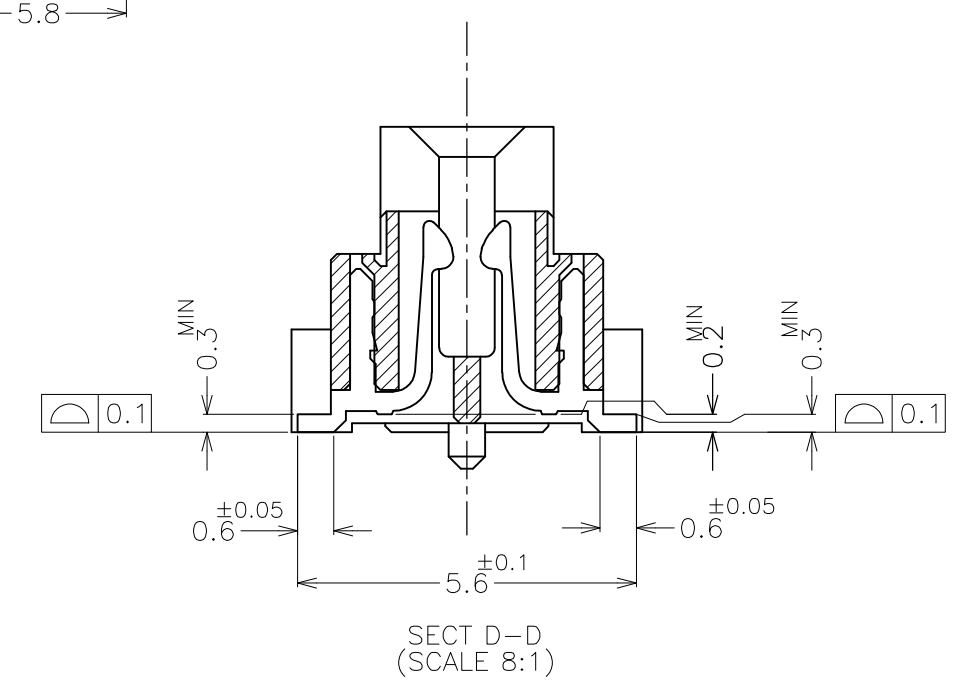
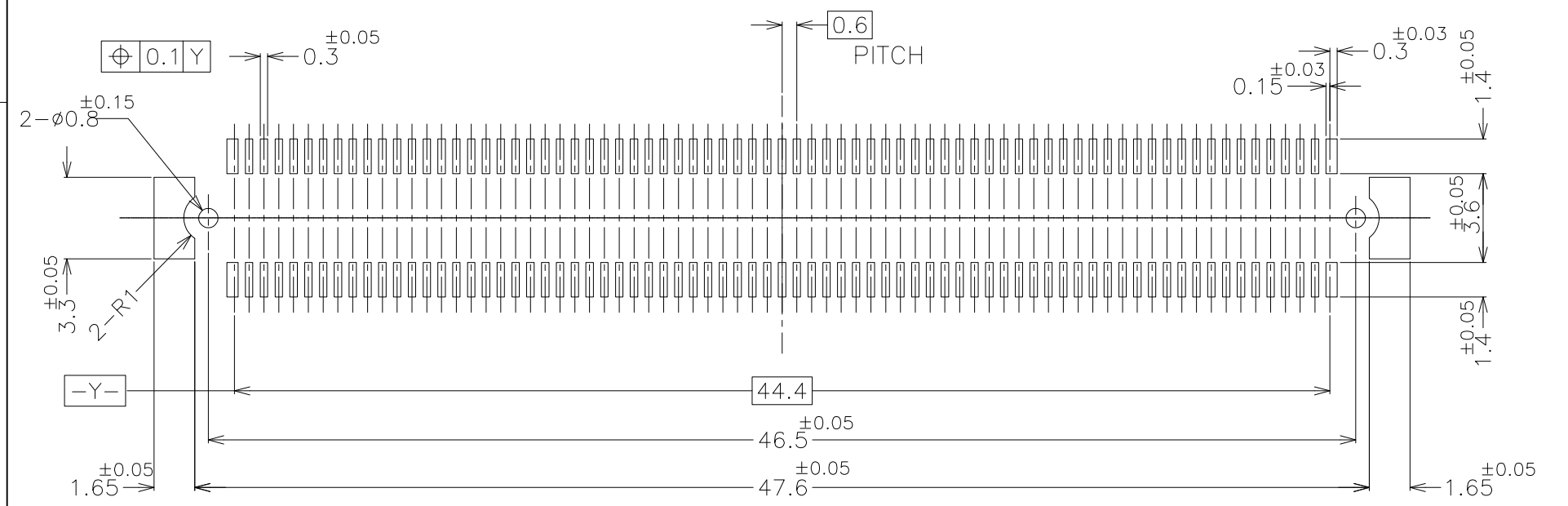
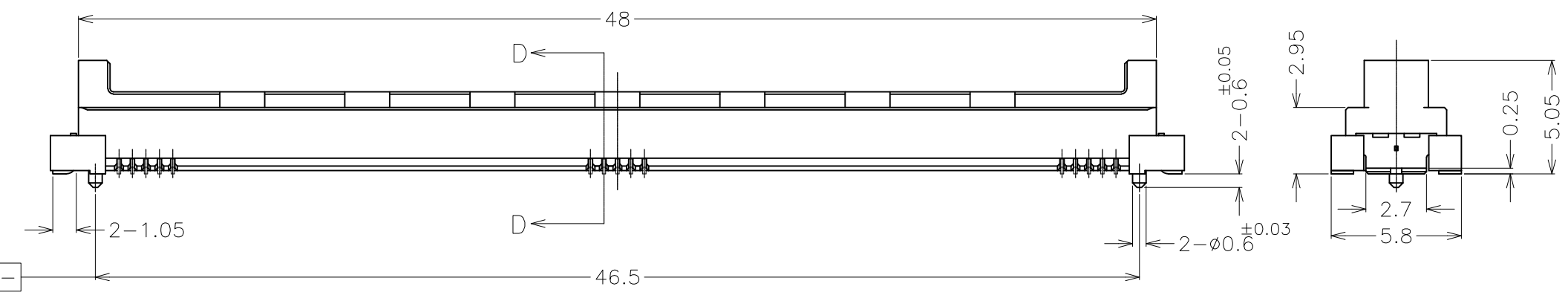
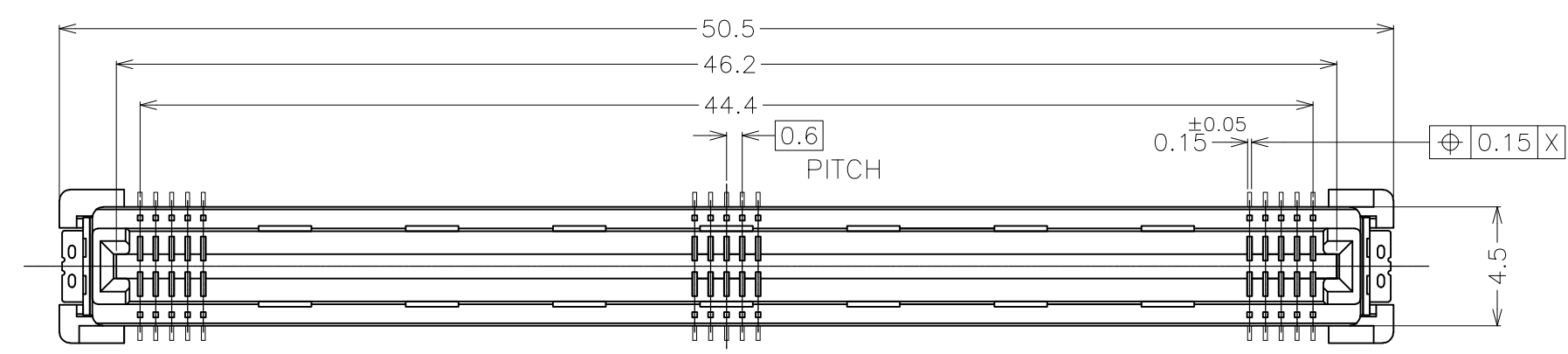
THIS DRAWING IS A CONTROLLED DOCUMENT.	
DIMENSIONS: 単位: 耗 MM	TOLERANCES UNLESS OTHERWISE SPECIFIED: 一般公差
0 PLC ± 1 PLC ± 2 PLC ± 3 PLC ± 4 PLC ± ANGLES ±	FINISH 仕上
MATERIAL 材料 SEE NOTE	

DWN T.KAWAMAE 22JUN00	Tyco Electronics AMP K.K. Kawasaki.Japan	
CHK H.MURAMATSU 22JUN00	NAME 名称 0.6mm PITCH CARD EDGE CONNECTOR	
APVD H.MURAMATSU 22JUN00	ON TAPING (EMBOSS)	
PRODUCT SPEC 製品規格 108-5588	SIZE A3	CAGE CODE 00779
APPLICATION SPEC 取付適用規格	DRAWING NO 番号 G-1376045	RESTRICTED TO
WEIGHT	CUSTOMER DRAWING	SCALE 尺度 NTS
	SHEET 1 OF 2	REV A1

THIS DRAWING IS UNPUBLISHED. RELEASED FOR PUBLICATION JUN ,2000.  
 © COPYRIGHT 2000 BY TYCO ELECTRONICS CORPORATION. ALL RIGHTS RESERVED.

LOC	DIST	REVISIONS					
J		P	LTR	DESCRIPTION	DATE	DWN	APVD

△ 1123088-1:AS SHOWN(REFERENCE)



推奨基板取り付け寸法  
 RECOMMENDED P.C.BOARD LAYOUT

GENERAL TOLERANCE  
 一般公差

10 ≥	±0.2
30 ≥ > 10	±0.25
100 ≥ > 30	±0.3
ANGLES: ±3°	

THIS DRAWING IS A CONTROLLED DOCUMENT.		DWN	Tyco Electronics AMP K.K. Kawasaki,Japan	
DIMENSIONS: 単位: 耗 MM		CHK	NAME 名称	
TOLERANCES UNLESS OTHERWISE SPECIFIED: 一般公差		APVD	0.6mm PITCH CARD EDGE CONNECTOR	
0 PLC ±		PRODUCT SPEC 製品規格	ON TAPING (EMBOSS)	
1 PLC ±		APPLICATION SPEC 取付適用規格	SIZE	CAGE CODE
2 PLC ±		WEIGHT	A3	00779
3 PLC ±			DRAWING NO 番号	RESTRICTED TO
4 PLC ±			G-1376045	
ANGLES ±				
FINISH 仕上		CUSTOMER DRAWING		SCALE 尺度 4:1
		SHEET 2 OF 2		REV A1