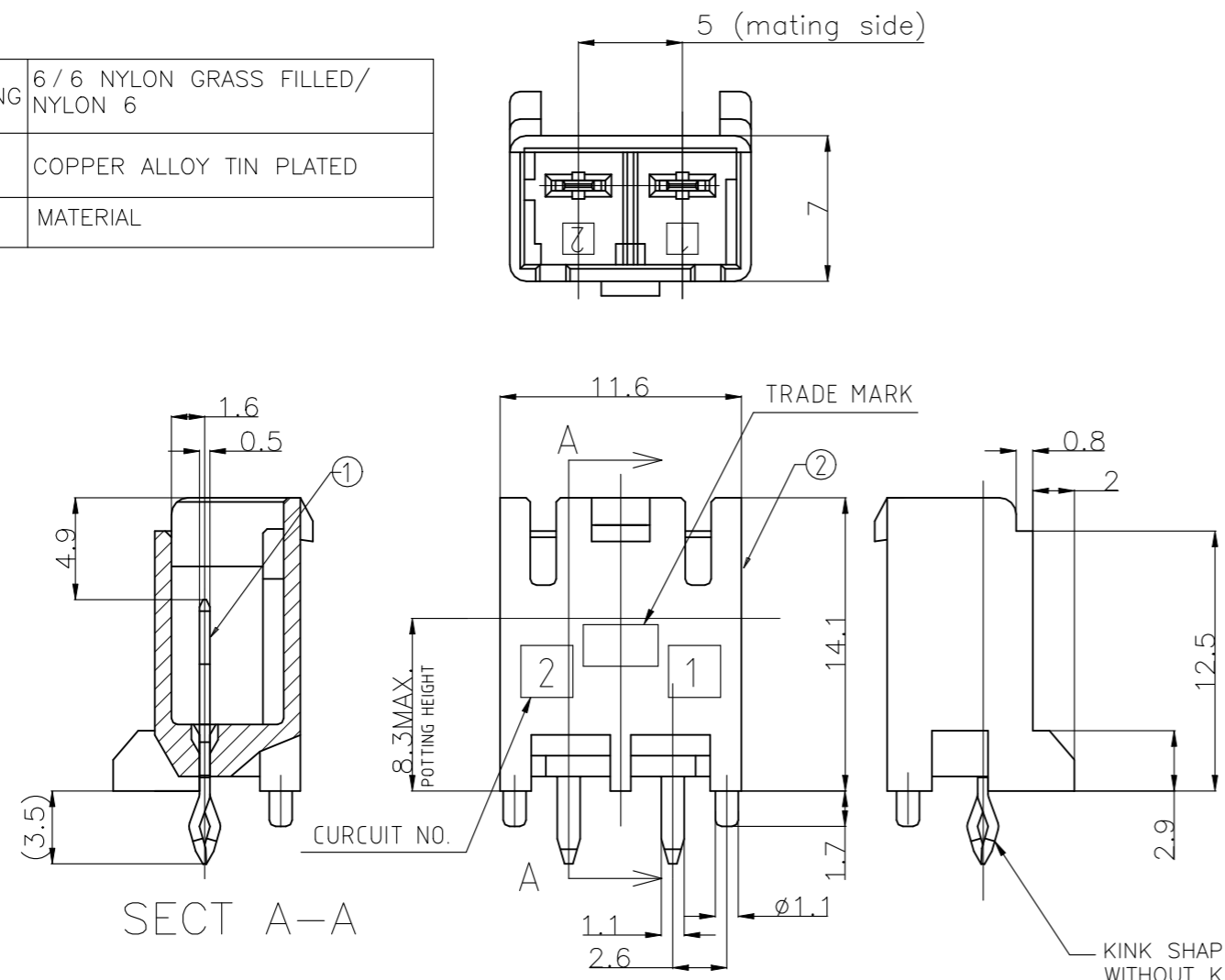


THIS DRAWING IS UNPUBLISHED. RELEASED FOR PUBLICATION
 © COPYRIGHT - By - ALL RIGHTS RESERVED.

| P | LTR | DESCRIPTION | DATE | DWN | APVD |
|---|-----|---------------------------|-----------|-----|------|
| | C4 | REVISED PER ECR-22-126744 | 20JAN2022 | KS | DZ |

| NO. | NAME | MATERIAL |
|-----|----------------|------------------------------------|
| ② | HEADER HOUSING | 6/6 NYLON GRASS FILLED/ NYLON 6 |
| ① | TAB | COPPER ALLOY TIN PLATED |

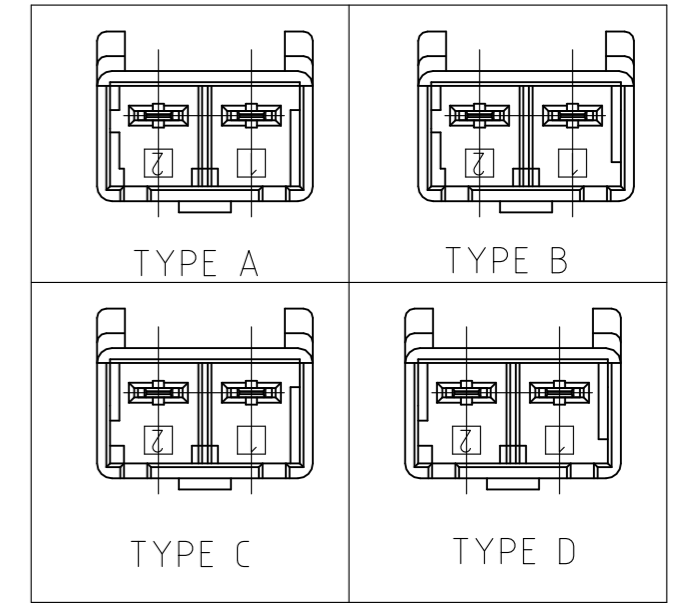


SECT A-A

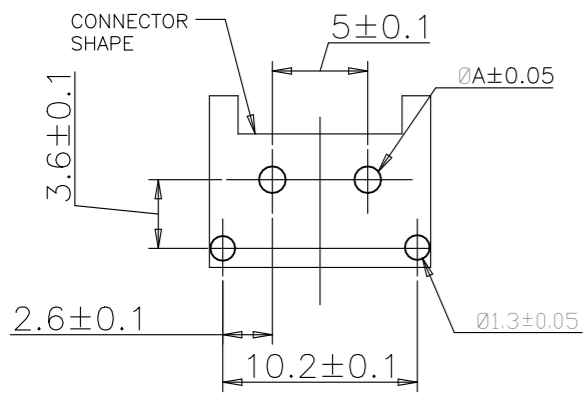
CAVITY MARK

KINK SHAPE:
WITHOUT KINK IS
STRAIGHT SHAPE
OF TINE.

THE TYPE OF KEYING



| MATING CONN. P/N | KINK EXISTENCE WITH/WITHOUT KINK | TYPE OF KEYING | COLOR | POS | PART NO. |
|------------------|----------------------------------|----------------|---------|------|-------------|
| 2-1376388-3 | WITH KINK | TYPE C | BLUE | 2POS | 2-1376382-6 |
| 1376388-1 | WITH KINK | TYPE A | NATURAL | 2POS | 1376382-6 |
| 1376388-5 | WITH KINK | TYPE A | NATURAL | 2POS | 1376382-5 |
| 3-1376388-4 | WITHOUT KINK | TYPE D | YELLOW | 2POS | 8-1376382-4 |
| 2-1376388-3 | WITHOUT KINK | TYPE C | BLUE | 2POS | 7-1376382-3 |
| 1-1376388-2 | WITHOUT KINK | TYPE B | RED | 2POS | 6-1376382-2 |
| 1376388-1 | WITHOUT KINK | TYPE A | NATURAL | 2POS | 5-1376382-1 |
| 3-1376388-4 | WITH KINK | TYPE D | YELLOW | 2POS | 3-1376382-4 |
| 2-1376388-3 | WITH KINK | TYPE C | BLUE | 2POS | 2-1376382-3 |
| 1-1376388-2 | WITH KINK | TYPE B | RED | 2POS | 1-1376382-2 |
| 1376388-1 | WITH KINK | TYPE A | NATURAL | 2POS | 1376382-1 |



| | DIM A |
|----------|-------|
| PUNCHING | 1.25 |
| DRILLING | 1.4 |

PRINTED CIRCUIT BOARD
RECOMMENDED HOLES

- ① RECOMMENDED P.C.B LAY OUT.
- ② APPLICABLE P.C.B. THICKNESS:1.6.
- ③ MATING CONN. P/N PLUG HOUSING :SEE TABLE.
- ④ PARTS COMPLY WITH GLOW WIRE REQUIREMENT FOR PARTS OF NON-METALLIC MATERIAL SUPPORTING A CURRENT-CARRYING CONNECTION DETAILED IN IEC 60335-1, SECTION 30(GWT).
- ⑤ NYLON 6, GWT, V-2.
- ⑥ NYLON 66, GWT, V-0.
- ⑦ HIGH CURRENT RATING VERSION.

THIS DRAWING IS A CONTROLLED DOCUMENT.

| DIMENSIONS: | TOLERANCES UNLESS OTHERWISE SPECIFIED: |
|-------------|--|
| MM | |
| | 0 PLC ± 0.2 |
| | 1 PLC ± |
| | 2 PLC ± |
| | 3 PLC ± |
| | 4 PLC ± |
| | PLC ANGLES ± 1° |
| MATERIAL | FINISH |
| SEE TABLE | SEE TABLE |

| | | |
|------------------|-----------|----------|
| DWN | A.OISHI | 28AUG'00 |
| CHK | Y.KASHIWA | 28AUG'00 |
| APVD | Y.KASHIWA | 28AUG'00 |
| PRODUCT SPEC | 108-5699 | |
| APPLICATION SPEC | 114-5292 | |
| WEIGHT | A300779 | |

WIRE RANGE - INSULATION DIA -

STE TE Connectivity

5.0 POWER KEY CONNECTOR
2P HEADER ASSEMBLY

NAME: 108-5699

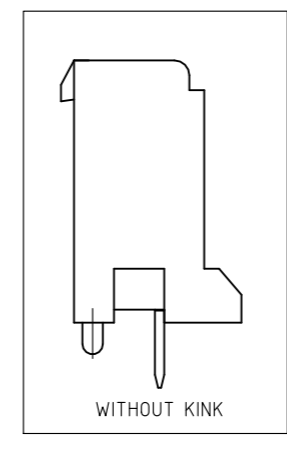
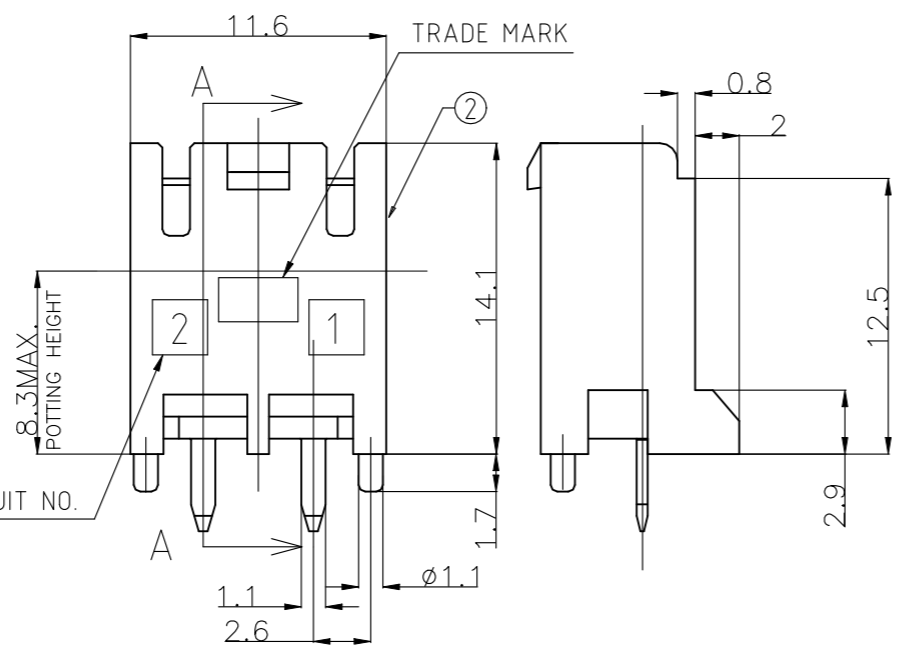
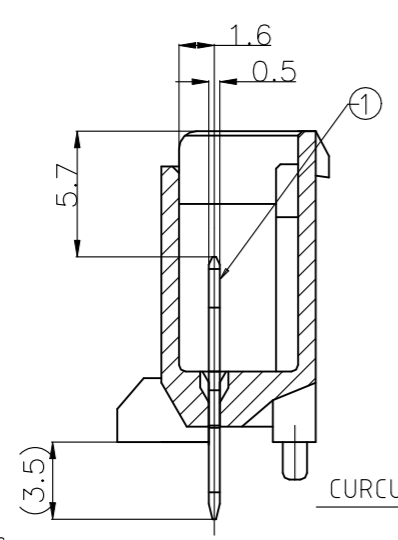
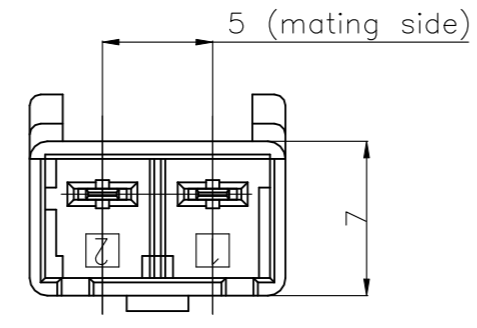
SIZE: A3 CAGE CODE: 00779 DRAWING NO: C-1376382 RESTRICTED TO: -

CUSTOMER DRAWING SCALE: 3:1 SHEET: 1 OF 2 REV: C4

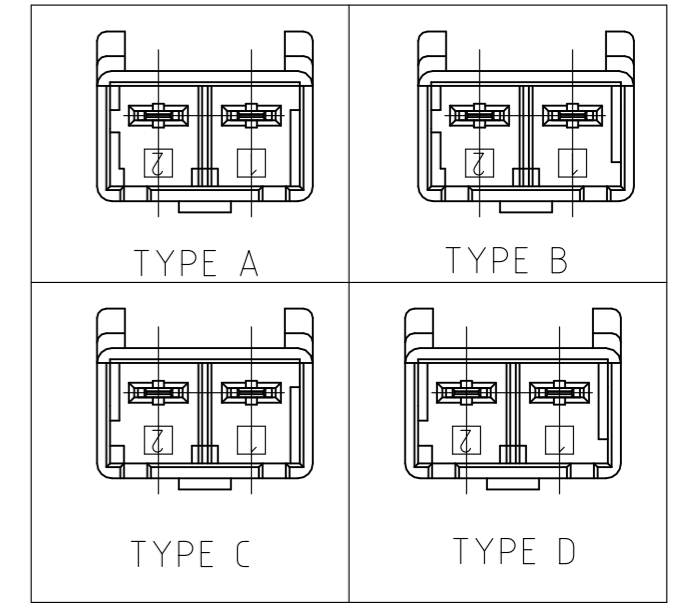
THIS DRAWING IS UNPUBLISHED. RELEASED FOR PUBLICATION
 © COPYRIGHT - By - ALL RIGHTS RESERVED.

| P | LTR | DESCRIPTION | DATE | DWN | APVD |
|---|-----|-------------|------|-----|------|
| - | - | SEE SHEET 1 | - | - | - |

| NO. | NAME | MATERIAL |
|-----|----------------|-------------------------|
| ② | HEADER HOUSING | 6/6 NYLON |
| ① | TAB | COPPER ALLOY TIN PLATED |

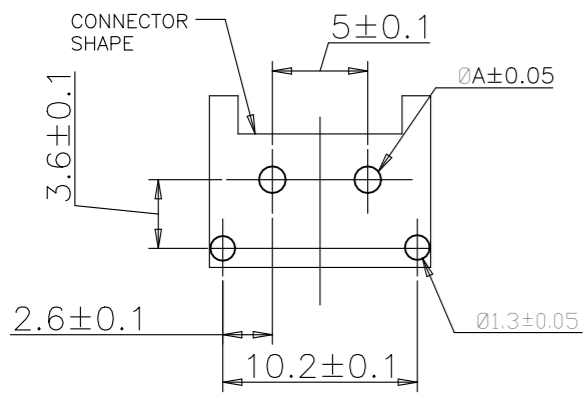
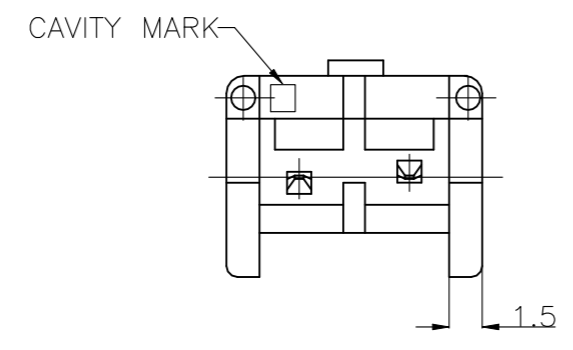


THE TYPE OF KEYING



- ① RECOMMENDED P.C.B LAY OUT
- ② APPLICABLE P.C.B. THICKNESS:1.6
- ③ MATING CONN. P/N PLUG HOUSING :SEE TABLE

SECT A-A



| | |
|----------|-------|
| PUNCHING | 1.25 |
| DRILLING | 1.4 |
| | DIM A |

| | | | | | |
|------------------|-------------------|----------------|---------|------|-------------|
| 3-1376388-5 | WITHOUT KINK | TYPE D | YELLOW | 2POS | 3-1376382-5 |
| 2-1376388-4 | WITHOUT KINK | TYPE C | BLUE | 2POS | 2-1376382-4 |
| 1-1376388-3 | WITHOUT KINK | TYPE B | RED | 2POS | 1-1376382-3 |
| 1376388-2 | WITHOUT KINK | TYPE A | NATURAL | 2POS | 1376382-2 |
| MATING CONN. P/N | WITH/WITHOUT KINK | TYPE OF KEYING | COLOR | POS | PART NO. |

| | | | | | | | |
|--|--|-------------------------------|---|-------------------------|--------------------|--------------|--|
| THIS DRAWING IS A CONTROLLED DOCUMENT. | | DWN A.OISHI 28AUG'00 | TE Connectivity 5.0 POWER KEY CONNECTOR 2P HEADER ASSEMBLY | | | | |
| DIMENSIONS: MM | | CHK Y.KASHIWA 28AUG'00 | | | | NAME | |
| TOLERANCES UNLESS OTHERWISE SPECIFIED: | | APVD Y.KASHIWA 28AUG'00 | | | | PRODUCT SPEC | |
| 0 PLC ± 0.2 1 PLC ± 2 PLC ± 3 PLC ± 4 PLC ± ANGLES ± 1° | | APPLICATION SPEC | | | | | |
| MATERIAL SEE TABLE | | WEIGHT - | | SIZE A3 | CAGE CODE 00779 | | |
| FINISH SEE TABLE | | CUSTOMER DRAWING | | DRAWING NO C-1376382 | RESTRICTED TO - | | |
| SCALE 3:1 | | | SHEET 2 OF 2 | | REV C4 | | |