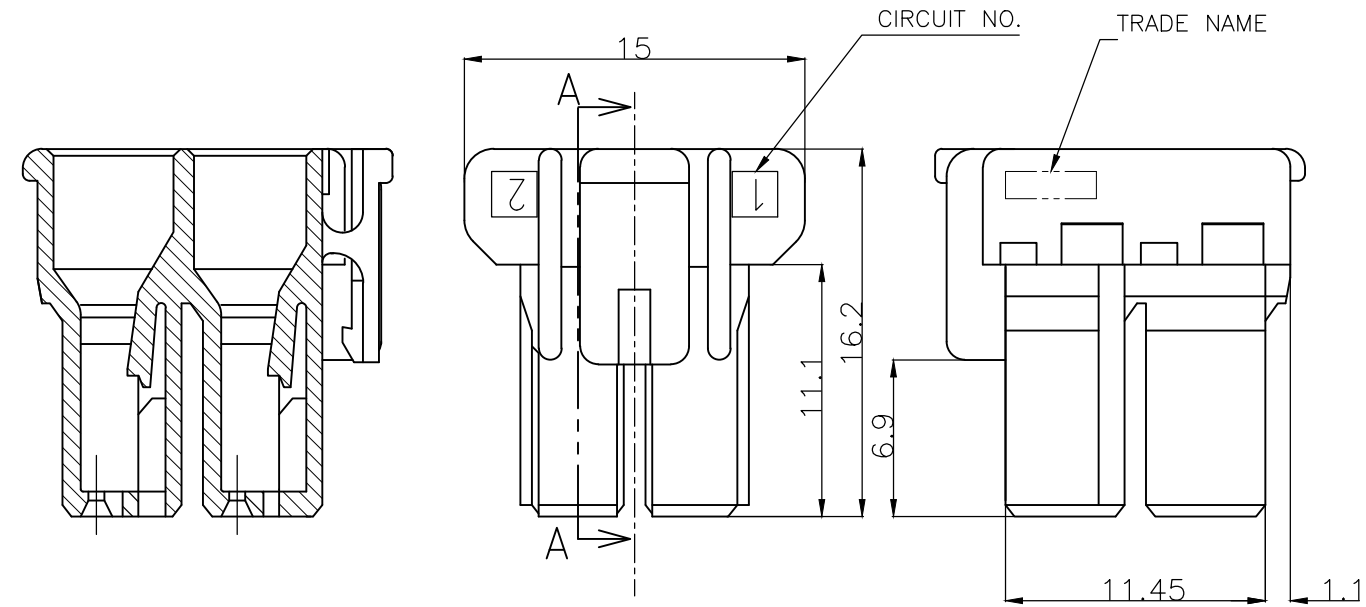
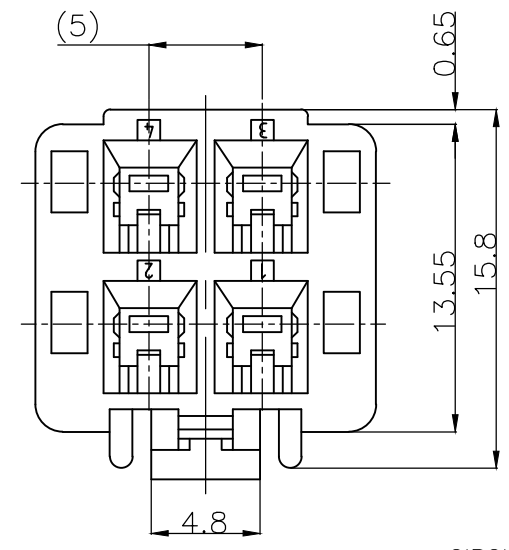
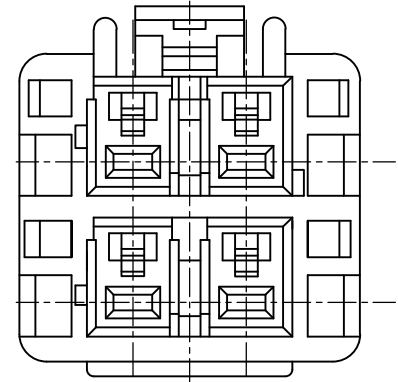


THIS DRAWING IS UNPUBLISHED. RELEASED FOR PUBLICATION  
 © COPYRIGHT - By - ALL RIGHTS RESERVED.

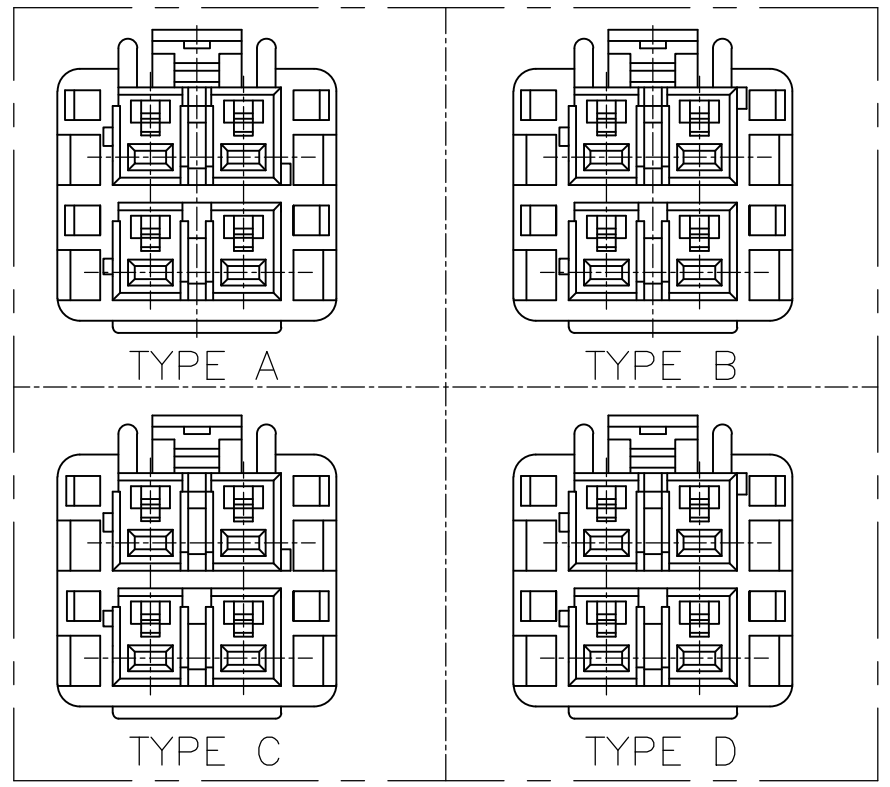
REVISIONS					
P	LTR	DESCRIPTION	DATE	DWN	APVD
	C3	REVISED PER ECO-17-008188	4JAN2018	C.X	D.Z



SECT A-A



THE TYPE OF KEYING



- 1 MATING CONN. P/N  
 HEADER ASS'Y :SEE TABLE  
 REC CONTACT ;1376347-1,1376348-1
- 2 PARTS MEET IEC 60335-1 (GWT GLOW WIRE TEST 750 DEGREE SPEC)
- 3 NYLON 66, GWT, V-0.

(HOSING)	(6/6 NYLON GRASS FILLED)
(NAME)	(MATERIAL)

3	1376394-1	3-1376386-4	TYPE D	YELLOW	4Pos	3-1376392-4
3	1376394-1	2-1376386-3	TYPE C	BLUE	4Pos	2-1376392-3
3	1376394-1	1-1376386-2	TYPE B	RED	4Pos	1-1376392-2
3	1376394-1	1376386-1	TYPE A	NATURAL	4Pos	1376392-1
	APPLICABLE PLATE. P/N	MATING CONN. P/N	THE TYPE OF KEYING	Color	Pos	PART NO.

THIS DRAWING IS A CONTROLLED DOCUMENT.		DWN A.OISHI 31AUG00	<b>TE Connectivity</b>			
DIMENSIONS: mm		CHK Y.KASHIWA 28AUG'00				
TOLERANCES UNLESS OTHERWISE SPECIFIED:		APVD Y.KASHIWA 28AUG'00	PRODUCT SPEC			5.0 POWER KEY CONNECTOR 4P PLUG HOUSING(2ROW)
0 PLC ± 0.2 1 PLC ± 0.2 2 PLC ± 0.2 3 PLC ± 4 PLC ± ANGLES ± 1°		APPLICATION SPEC				
MATERIAL SEE TABLE		WEIGHT			SIZE	RESTRICTED TO
FINISH SEE TABLE		CUSTOMER DRAWING			CAGE CODE A300779	DRAWING NO C-1376392
		SCALE 3:1			SHEET 1 OF 2	REV C3

THIS DRAWING IS UNPUBLISHED.

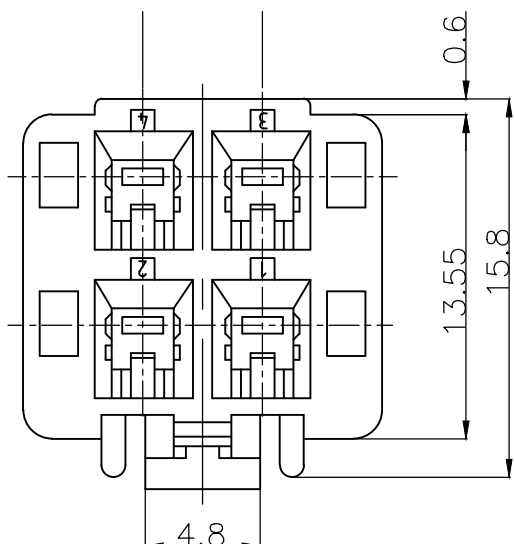
RELEASED FOR PUBLICATION

ALL RIGHTS RESERVED.

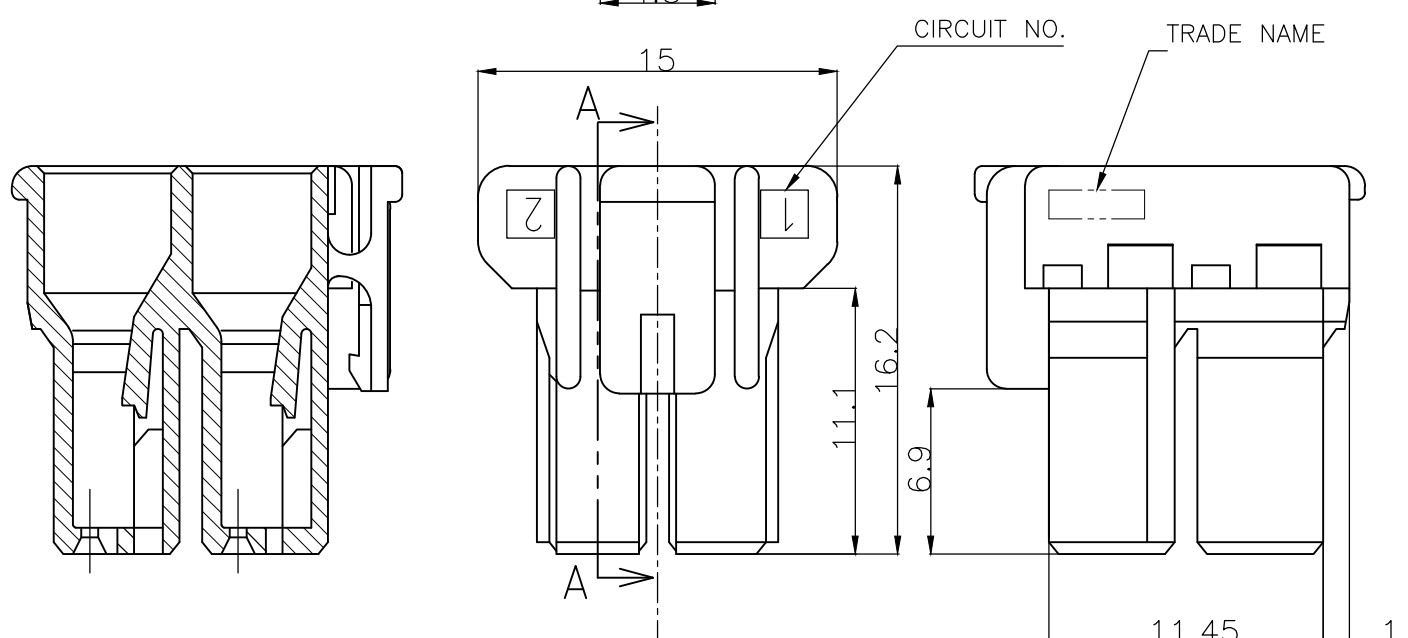
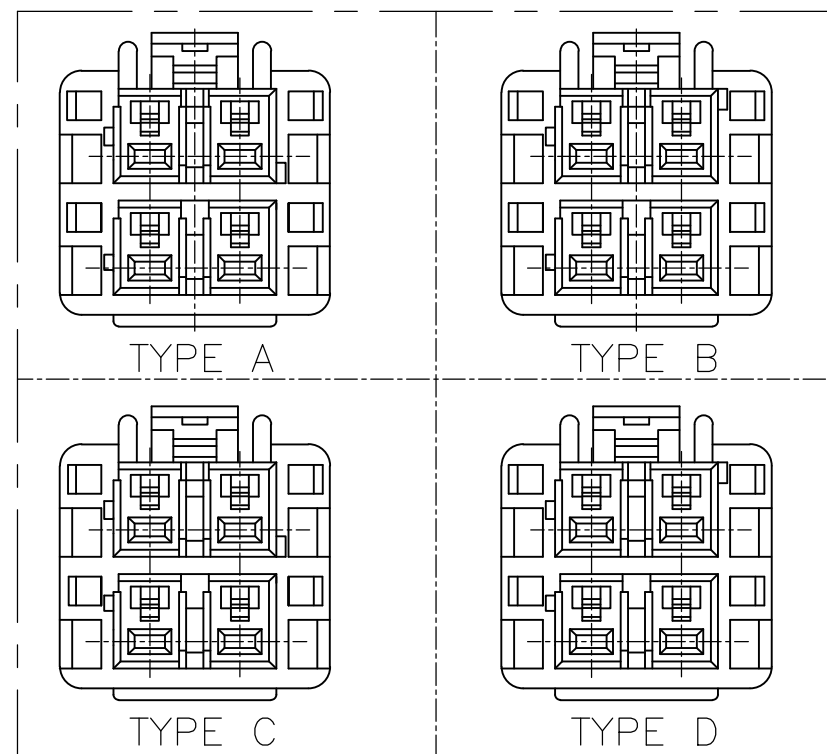
© COPYRIGHT - By -

REVISIONS

P	LTR	DESCRIPTION	DATE	DWN	APVD
-	-	SEE SHEET 1	-	-	-



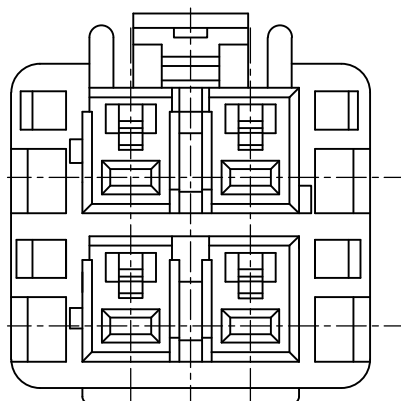
THE TYPE OF KEYING



- 1 MATING CONN. P/N
- HEADER ASS'Y :SEE TABLE
- REC CONTACT ;1376347-1,1376348-1

HOSING	6 / 6 NYLON
(NAME)	(MATERIAL)

SECT A-A



1376394-1	3-1376386-5	TYPE D	YELLOW	4Pos	3-1376392-5
1376394-1	2-1376386-4	TYPE C	BLUE	4Pos	2-1376392-4
1376394-1	1-1376386-3	TYPE B	RED	4Pos	1-1376392-3
1376394-1	1376386-2	TYPE A	NATURAL	4Pos	1376392-2
APPLICABLE PLATE. P/N	MATING CONN. P/N	THE TYPE OF KEYING	Color	Pos	PART NO.

THIS DRAWING IS A CONTROLLED DOCUMENT.		DWN A.OISHI 31AUG00	<b>STE</b> TE Connectivity		
		CHK Y.KASHIWA 28AUG'00			
DIMENSIONS: mm		APVD Y.KASHIWA 28AUG'00	NAME		
TOLERANCES UNLESS OTHERWISE SPECIFIED:		PRODUCT SPEC	5.0 POWER KEY CONNECTOR 4P PLUG HOUSING(2ROW)		
0 PLC ± 0.2		APPLICATION SPEC	108-78863		
1 PLC ± 0.2		WEIGHT	114-5292		
2 PLC ± 0.2		SIZE	CAGE CODE	DRAWING NO	RESTRICTED TO
3 PLC ±		A3 00779		C-1376392	-
4 PLC ±		CUSTOMER DRAWING			
ANGLES ± 1°		SCALE	SHEET	REV	
FINISH		3:1	2 OF 2	C2	
MATERIAL SEE TABLE					
SEE TABLE					