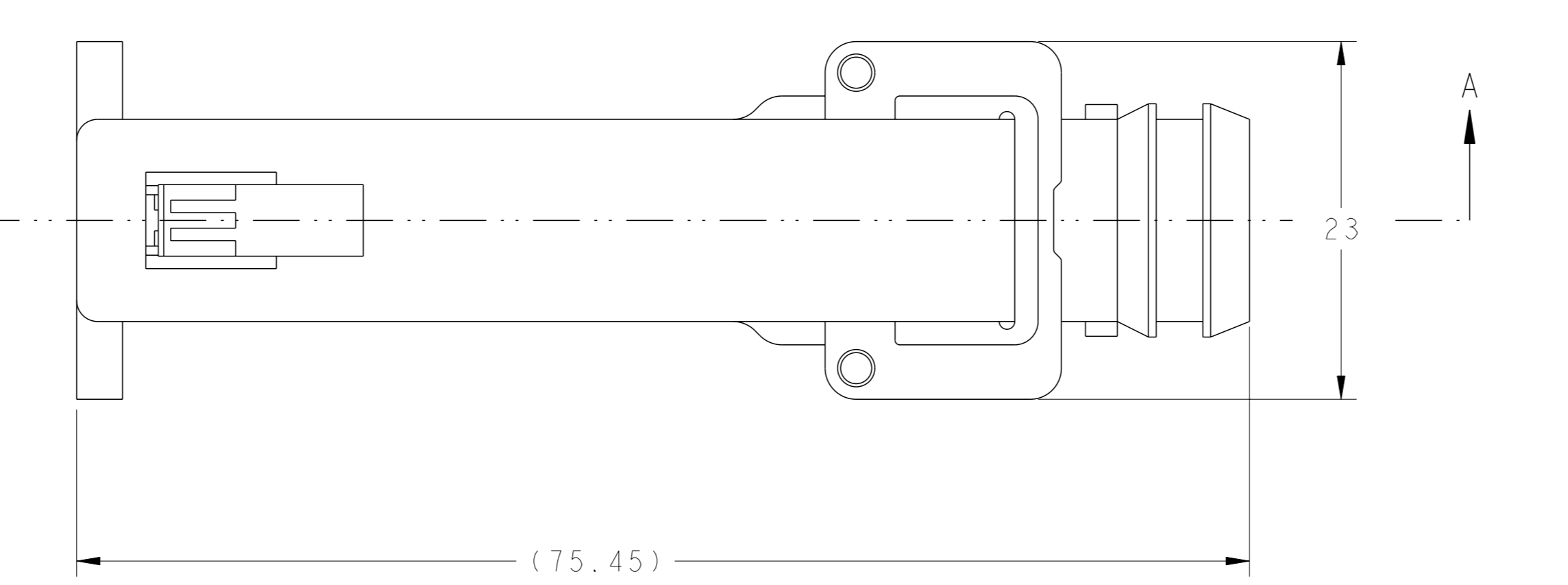
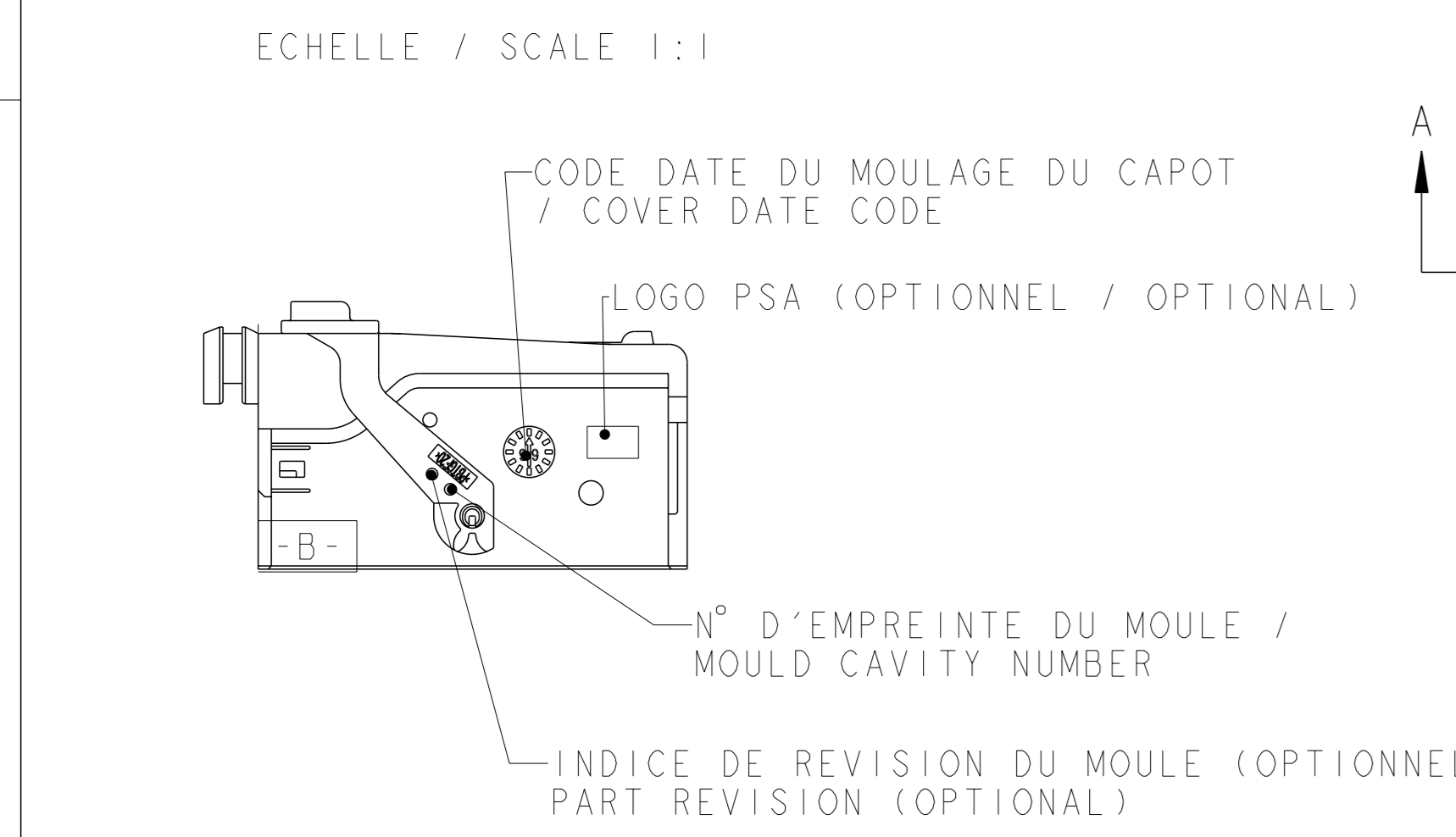
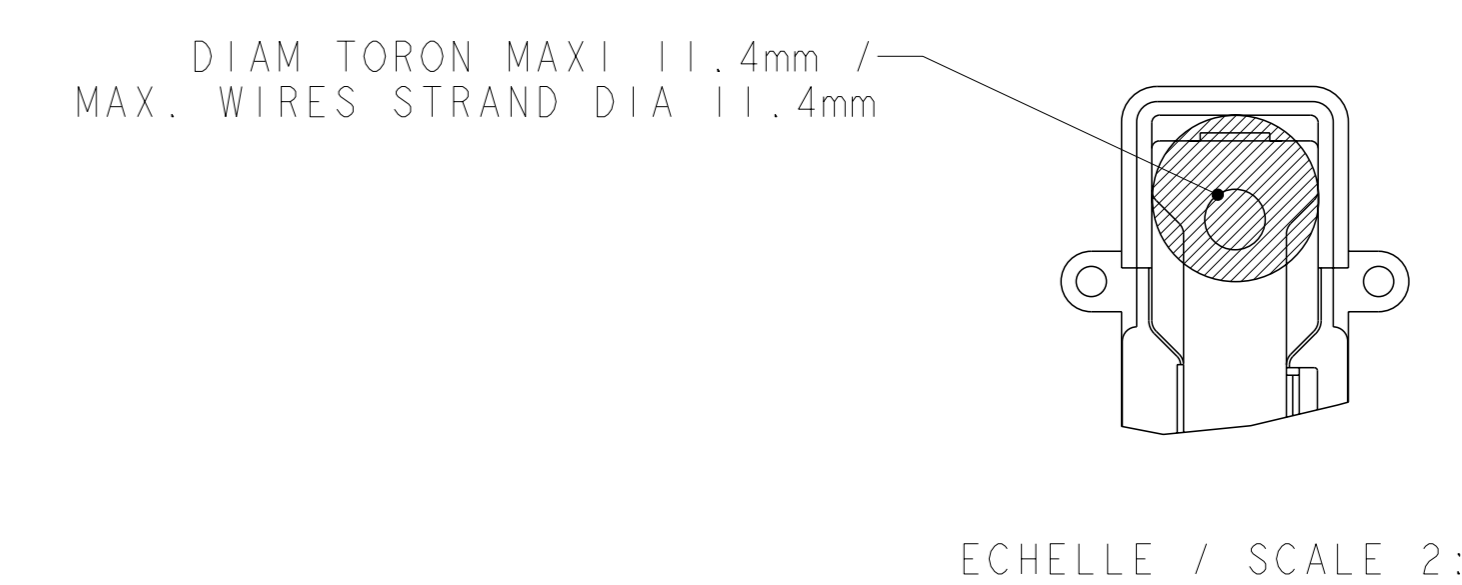
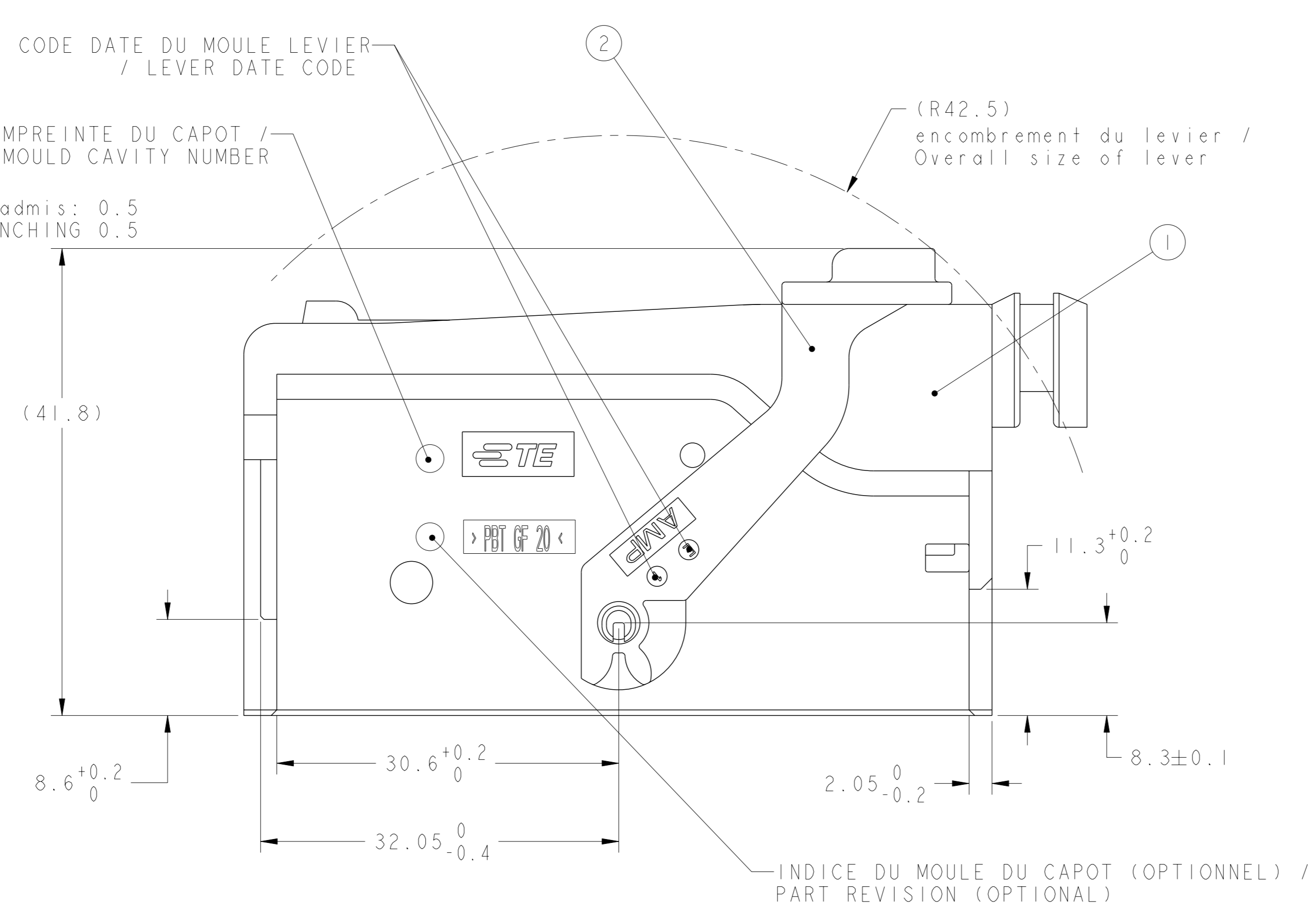
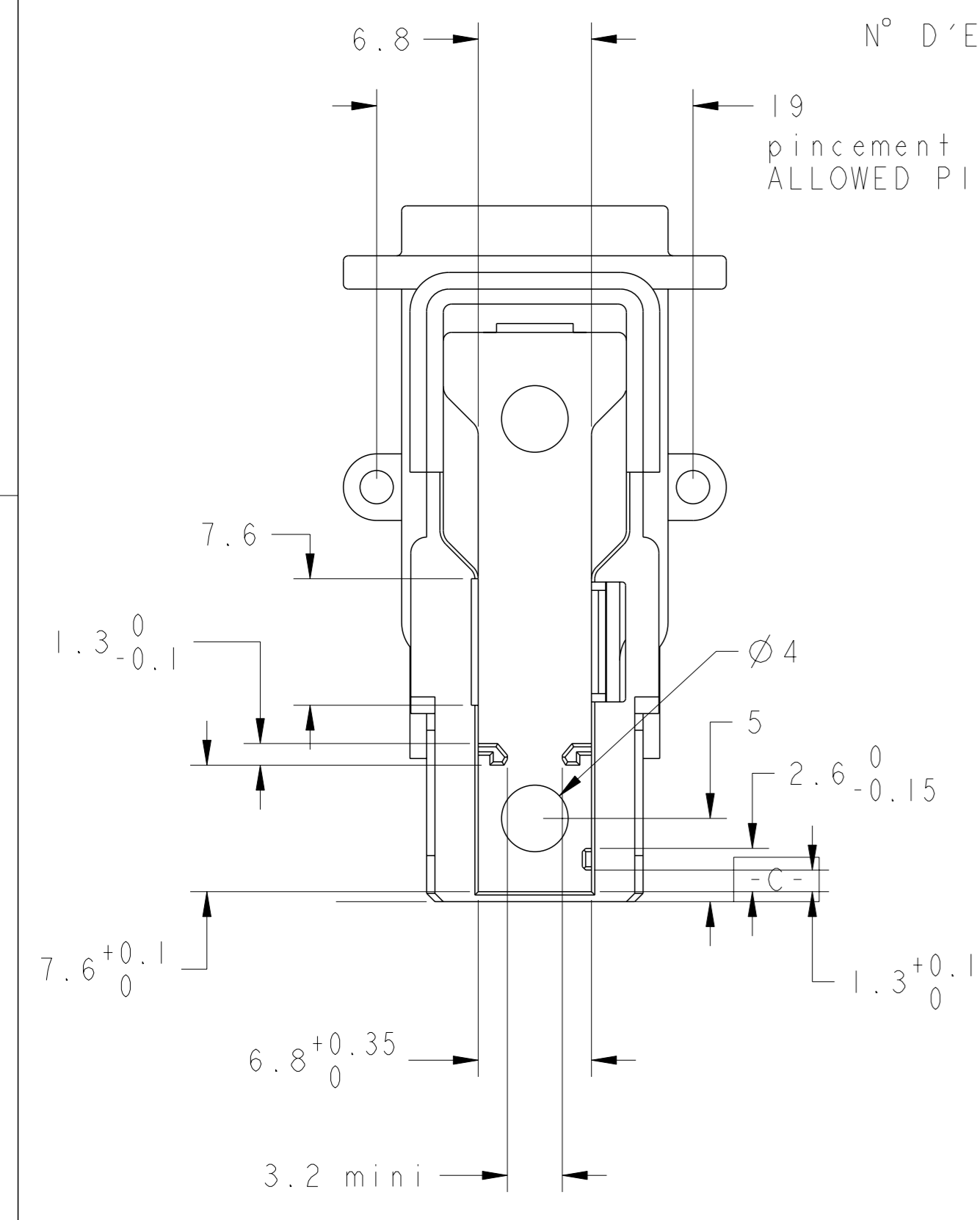
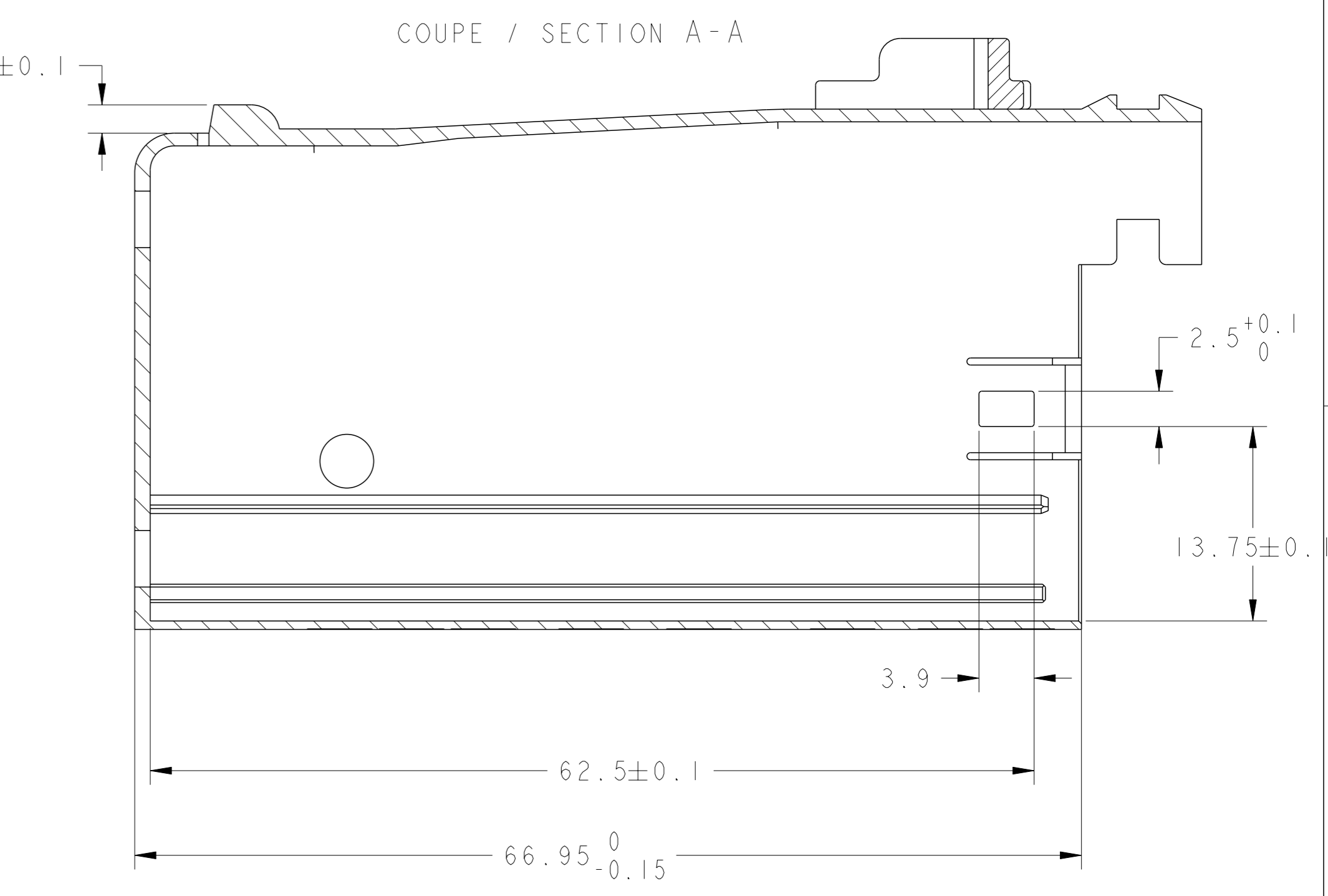
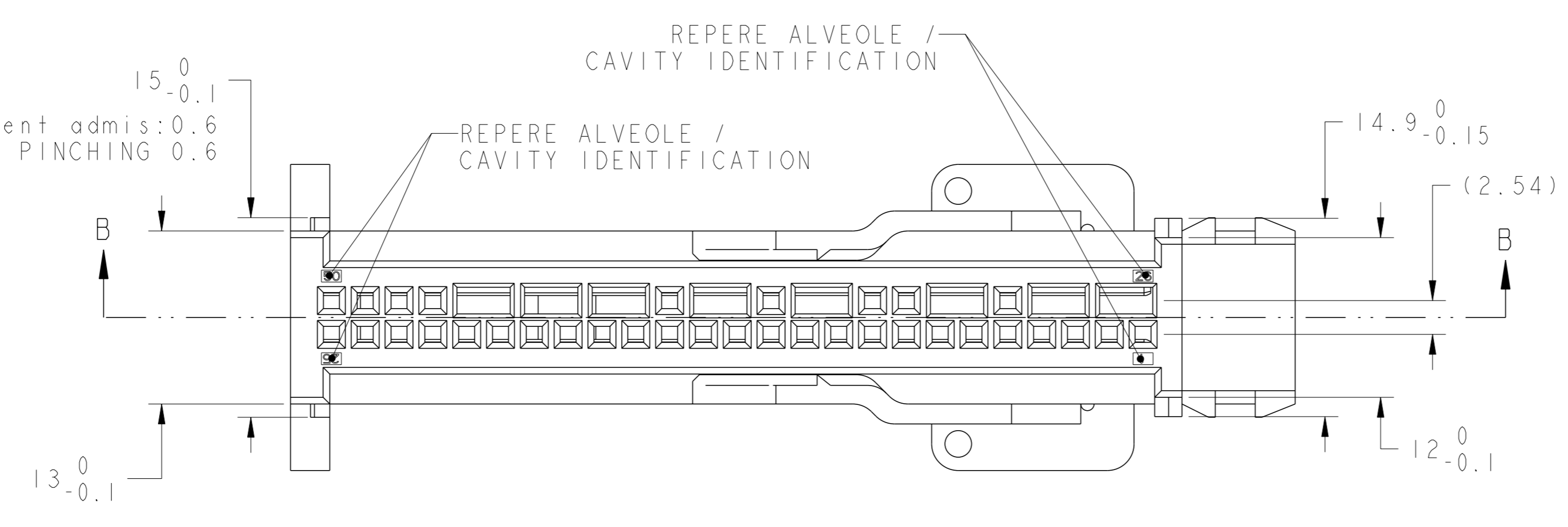
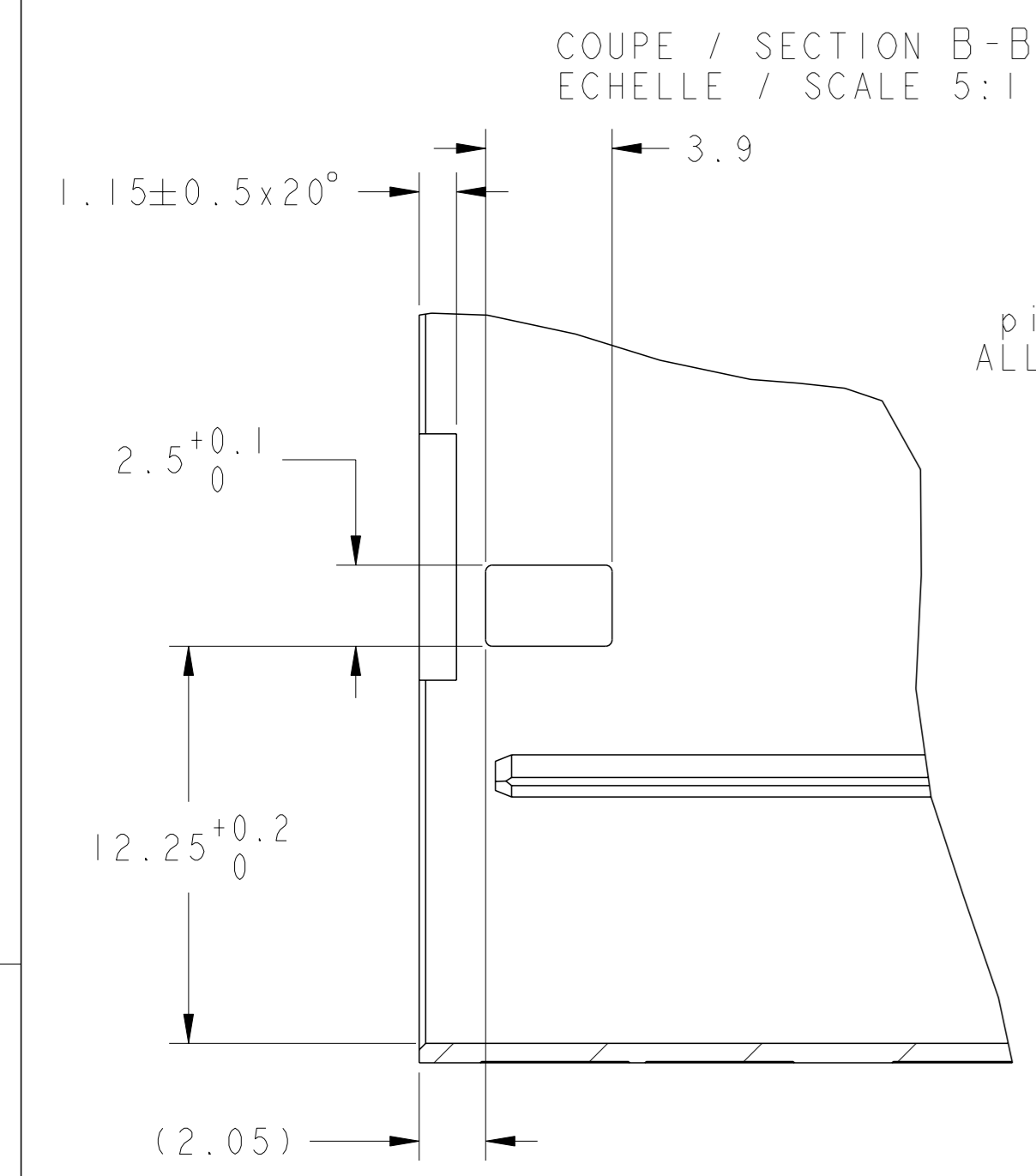


REVISIONS				
N°	CLH	DESCRIPTION	DATE	APPV
1	A	NEW DRAWING	18AUG2014	MN XR



PIECE A UTILISER AVEC :
 MODULE 50 VOIES MQS DONT 8 SHUNTS INVERSE : 1379079-X
 CLIP MQS REF : 1379419-X ET 1379418-X
 CONFIGURATION MAX RECOMMANDEE : DIAMETRE TORON MAX 11.4mm
 VALIDER TOUTE AUTRE CONFIGURATION

FOR USE WITH:
 SOCKET HOUSING FOR MQS 50 POS WITH 8SC REVERSED: 1379079-X
 MQS RECEPTACLE: 1379419-X AND 1379418-X
 MAXIMUM RECOMMENDED CONFIGURATION: WIRES STRAND MAXIMUM DIA 11.4mm
 CONFIRM ANY OTHER CONFIGURATION

LEVIER / LEVER	2	1	PBT20%FV	1379077-1	BLEU / BLUE
CAPOT / COVER	1	1	PBT20%FV		ORANGE
DESIGNATION / DESCRIPTION	REP. / ITEM	QTE. / QTY.	MATIERE / MATERIAL	REF / PN TE	COULEUR / COLOR
<p>THIS DRAWING IS A CONTROLLED DOCUMENT. / CE PLAN EST UN DOCUMENT CONTROLÉ PAR TECH ELECTRONICS. / IL EST SOUSCRIT PAR LE SERVICE CLIENT. / ALL INFORMATION IS THE PROPERTY OF STE CONNECTIVITY. / TOUS DROITS RESERVES. / ALL RIGHTS RESERVED.</p> <p>TOLERANCES UNLESS OTHERWISE SPECIFIED (DIMENSIONS IN mm):</p> <ul style="list-style-type: none"> Ø: ±0.05 ±0.1 ±0.2 ±0.3 ±0.4 ±0.5 ±0.6 ±0.7 ±0.8 ±0.9 ±1.0 ±1.2 ±1.5 ±2.0 ±2.5 ±3.0 ±3.5 ±4.0 ±4.5 ±5.0 ±5.5 ±6.0 ±6.5 ±7.0 ±7.5 ±8.0 ±8.5 ±9.0 ±9.5 ±10.0 <p>MATERIAL/MATIERE: SEE TABLE / VOIR TABLEAU</p> <p>FINISH/FINITION: AS</p> <p>WEIGHT: APPROX 69g</p> <p>CUSTOMER DRAWING</p>					
<p>DRAWING NO: 18AUG2014</p> <p>DESIGNER: MADHUSUDHAN N</p> <p>CHECKED: E CHATELUS</p> <p>APPROVED: X BOUILLARD</p> <p>PRODUCT SPEC: 108-15188</p> <p>APPLICATION SPEC: 411-15601</p> <p>DATE: 18AUG2014</p> <p>NAME: E CHATELUS</p> <p>SIZE: A</p> <p>CAGE CODE: 00779</p> <p>DRAWING NO: 1379077</p> <p>UNIQUEMENT POUR REFERENCE</p> <p>SCALE: 3:1</p> <p>SHEET: 1 OF 1</p> <p>REV: A</p> <p>RESTRICTED TO RESERVE A</p>					
<p>TE Connectivity</p>					
<p>CONNECTEUR 50 VOIES MQS INVERSE DONT 8 SHUNTS CONNECTOR MQS 50 POS WITH 8SC REVERSED</p>					