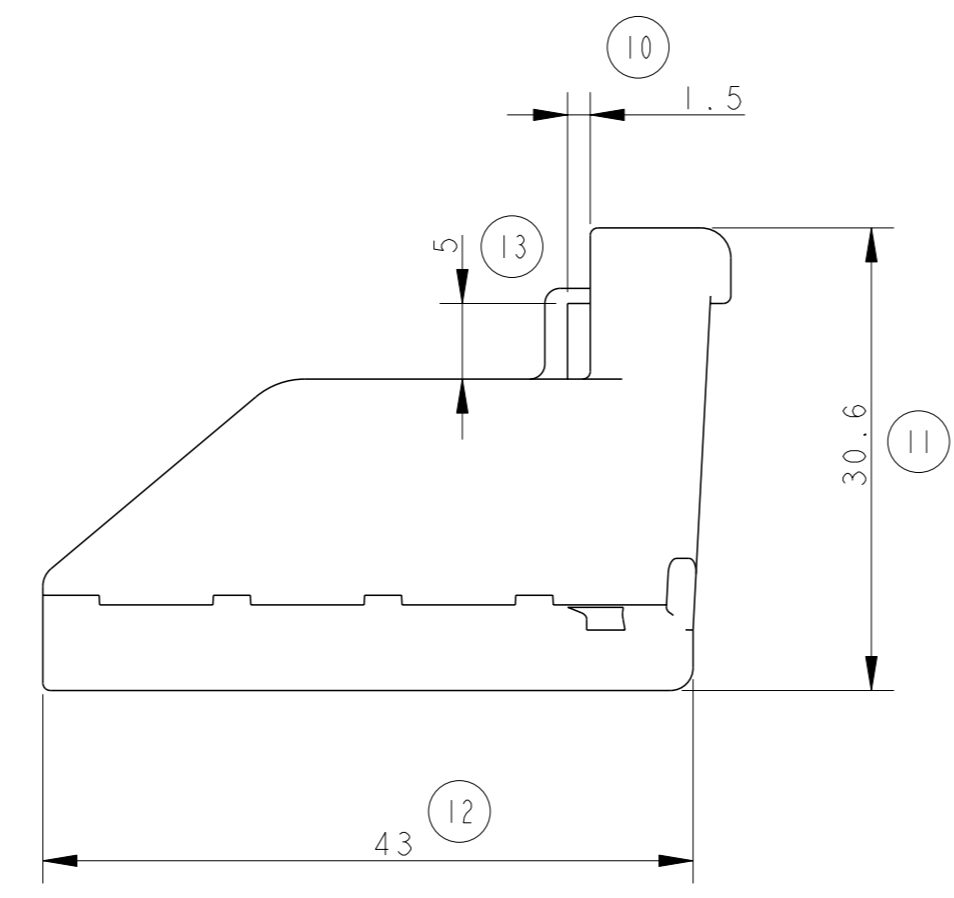
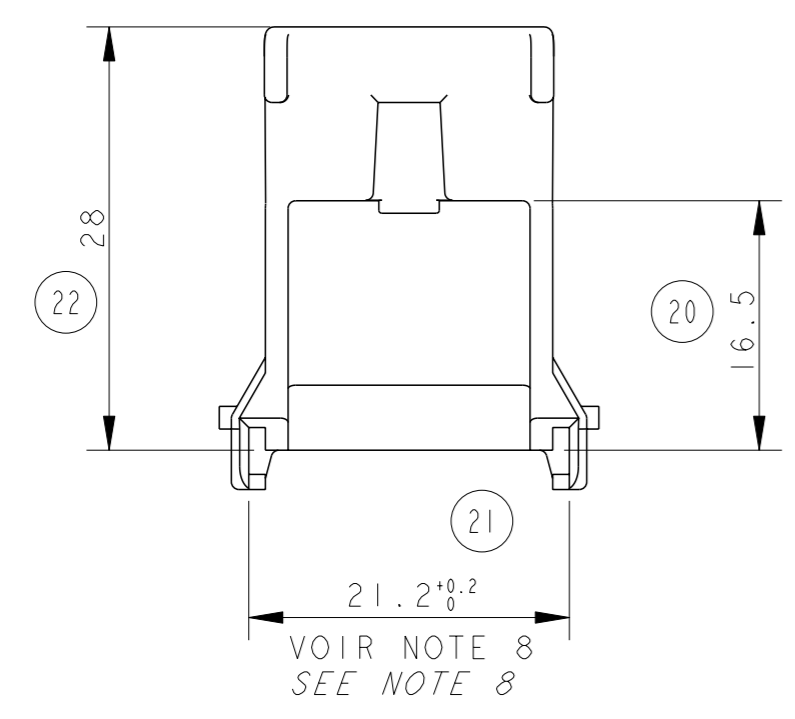
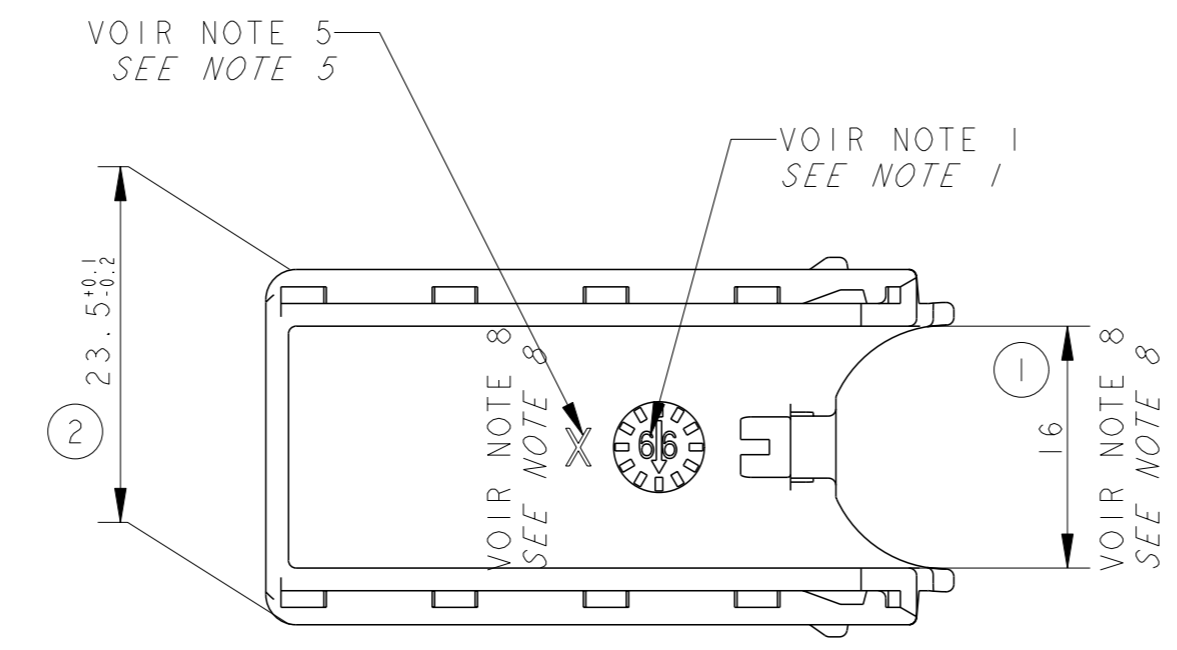
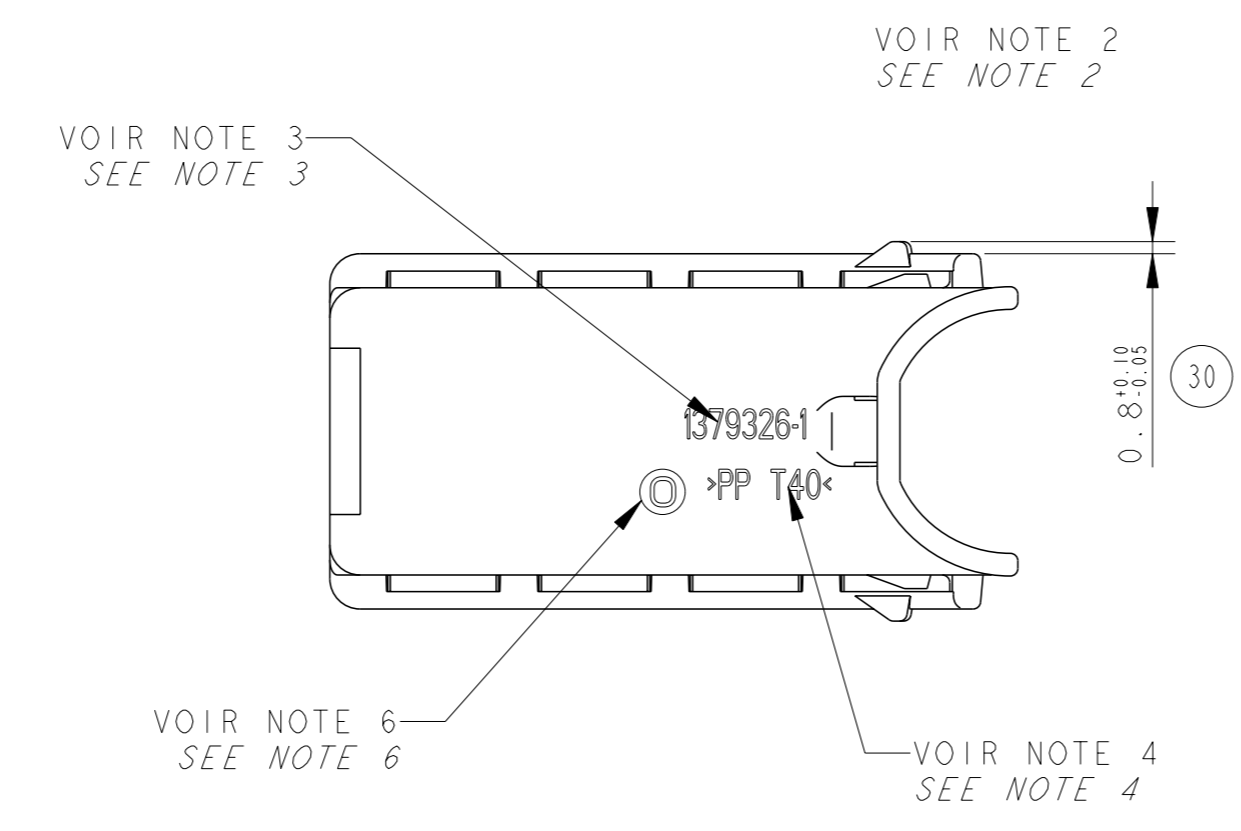


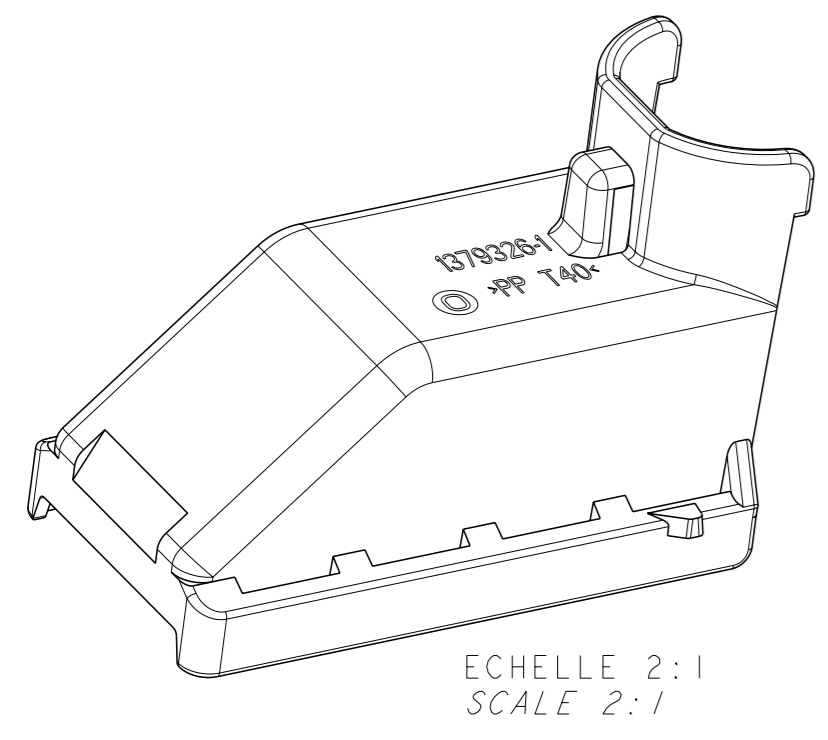
REVISIONS				
P	LY#	DESCRIPTION	DATE	OWN APVD
A		NEW DRAWING	18AUG2014	MN JD



CARACTERISTIQUES MECANIKES MECHANICAL SPECIFICATIONS	
Mise en place du capot Force to put the cover in	<=80N
Tenue du capot sur Porte-Clips Cover pulling up force on Receptacle Housing	>=70N
Tenue du capot sur Porte-Languettes Cover pulling up force on Tab Housing	>=50N



- | | |
|---|---|
| <1> DATE CODE | DATEUR |
| <2> TE LOGO | LOGO TE |
| <3> PART NUMBER | REFERENCE FOURNISSEUR DE LA PIECE |
| <4> MATERIAL IDENTIFICATION | IDENTIFICATION MATIERE |
| <5> MOLD CAVITY NUMBER | NUMERO DE CAVITE |
| <6> PART REVISION CODE | INDICE DE REVISION DE LA PIECE |
| <7> NO BURR, JUNCTION LINES, SURFACE DEFECT | PAS DE BAVURE, LIGNE DE FERMETURE, DEFAUT D'ASPECT, |
| <8> AUTHORIZED PINCHING 2 mm | PINCEMENT AUTORISE 2 mm |



1379326-1	PP T-40	NOIR/black
REF/PN TE	MATIERE/material	COULEUR/color

THIS DRAWING IS A CONTROLLED DOCUMENT.		OWN: MADHUSUDHAN N CHK: JP. PICAUD APVD: J. DAHER	18AUG2014 18AUG2014 18AUG2014	
DIMENSIONS: mm	TOLERANCES UNLESS OTHERWISE SPECIFIED:	PRODUCT SPEC: 108-15256 APPLICATION SPEC: 411-15647		
MATERIAL: SEE TABLE		WEIGHT: SEE TABLE		NAME: 52 WAYS COVER 50 WAYS 1.5 + 2 WAYS 2.8 CAPOT 52 VOIES
SEE TABLE		SEE TABLE		SIZE: A1 CAGE CODE: - DRAWING NO: 1379326
CUSTOMER DRAWING				RESTRICTED TO: - SCALE: 2:1 SHEET: 1 OF 1 REV: A