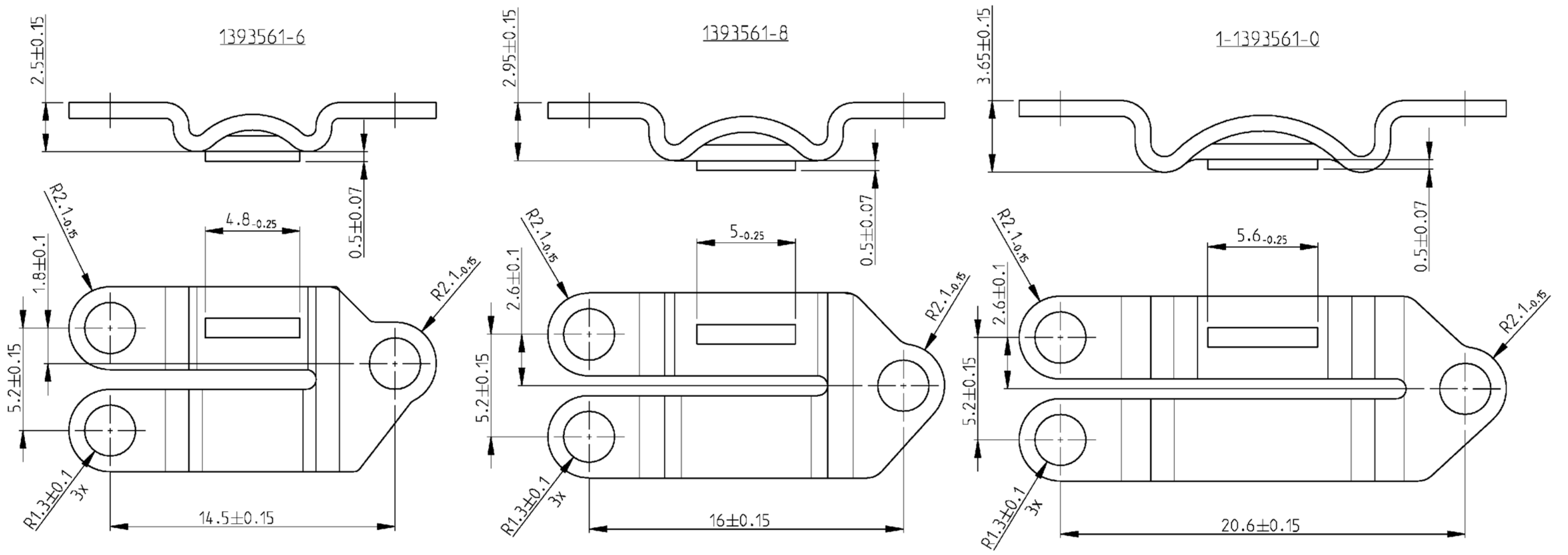


THIS DRAWING IS UNPUBLISHED. RELEASED FOR PUBLICATION 2000  
 © COPYRIGHT 2000 BY TYCO ELECTRONICS CORPORATION. ALL RIGHTS RESERVED.

LOC	DIST	REVISIONS			
P	LTR	DESCRIPTION	DATE	DWN	APVD
GW					
	A	SR10-0171-02	03 APR 02	KV	
	A1	REVISED PER ECO-09-026495	30NOV09	KK	AEG
	B	REVISED PER ECO-12-008266	24AUG12	CV	CWR

1 Packaging: 30 bags (containing 100 pcs each) in one box.



	old P/N	TYCO P/N	size and wire $\phi$
OBSOLETE	C42334-B383-C110	1393561-6 1	9 poles: 4 to 6 mm 15 poles: 5 to 8 mm
	C42334-B383-C112	1393561-8 1	25 poles: 5 to 8.5 mm 37 poles: 6 to 9 mm
	C42334-B383-C114	1-1393561-0 1	50 poles: 9 to 12 mm

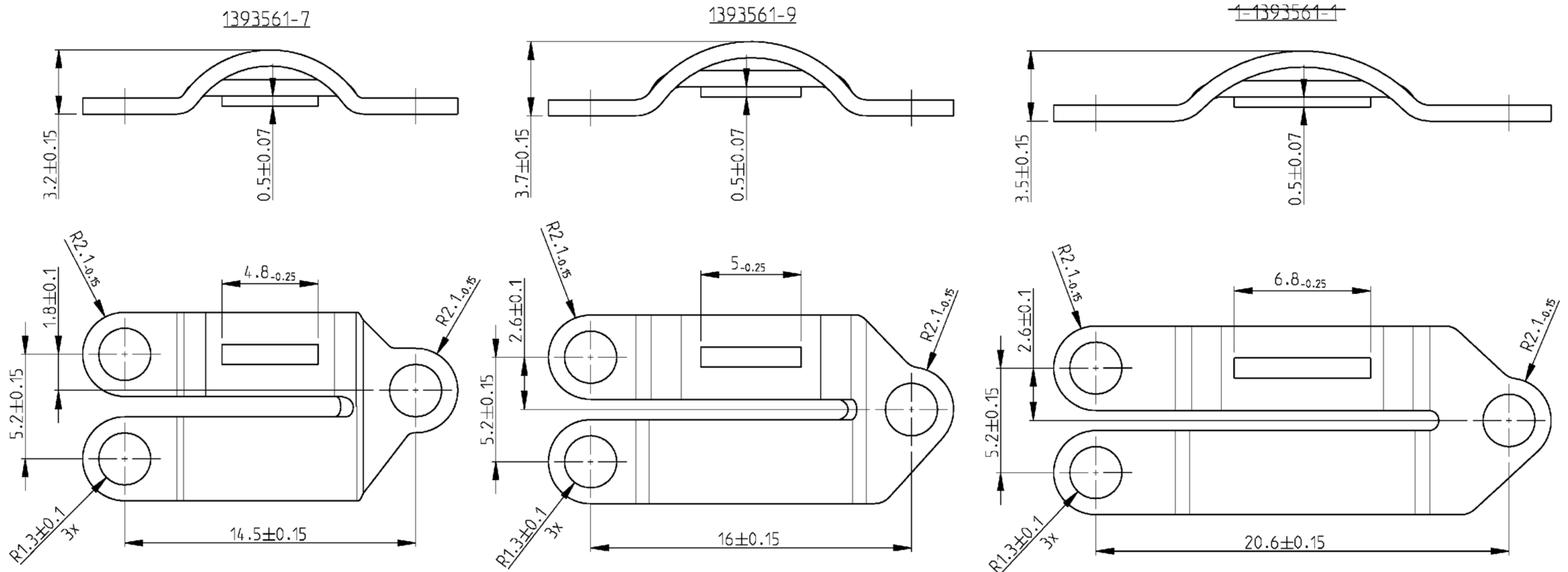
THIS DRAWING IS A CONTROLLED DOCUMENT FOR TYCO ELECTRONICS CORPORATION. IT IS SUBJECT TO CHANGE AND THE CONTROLLING ENGINEERING ORGANIZATION SHOULD BE CONTACTED FOR THE LATEST REVISION.

DIMENSIONS:	TOLERANCES UNLESS OTHERWISE SPECIFIED:
mm	0 PLC ±
	1 PLC ±
	2 PLC ±
	3 PLC ±
	4 PLC ±
	ANGLES ±
MATERIAL Cu - alloy	FINISH ±

DWN 03 APR 2002 Verougstraete	Tyco Electronics Oostkamp - Belgium	NAME	
CHK		cable clamp D-Sub housing	
APVD	PRODUCT SPEC	SIZE	RESTRICTED TO
APPLICATION SPEC	408-90000 (assy)	A3	
WEIGHT	CUSTOMER DRAWING	CAGE CODE 00779	DRAWING NO. 1393561-6
	SCALE 4:1	SHEET 1 OF 2	REV B

LOC	DIST	REVISIONS			
P	LTR	DESCRIPTION	DATE	DWN	APVD
		SEE SHEET 1	-	-	-

- 1 Packaging: 30 bags (containing 100 pcs each) in one box.
- 2 OBSOLETE PARTS: OBSOLETE CIS STREAMLINING PER D.RENAUD/D.SINISI



old P/N	TYCO P/N	size and wire $\phi$
C42334-B383-C111	1393561-7 1	9 poles: 6 to 8 mm 15 poles: 8 to 10 mm
C42334-B383-C113	1393561-9 1	25 poles: 8.5 to 11 mm 37 poles: 9 to 11 mm
C42334-B383-C115	<del>1393561-1</del> 1	50 poles: 12 to 14.5 mm

OBSOLETE 2

THIS DRAWING IS A CONTROLLED DOCUMENT FOR TYCO ELECTRONICS CORPORATION. IT IS SUBJECT TO CHANGE AND THE CONTROLLING ENGINEERING ORGANIZATION SHOULD BE CONTACTED FOR THE LATEST REVISION.

DIMENSIONS: mm		TOLERANCES UNLESS OTHERWISE SPECIFIED:	
	0 PLC	±	
	1 PLC	±	
	2 PLC	±	
	3 PLC	±	
	4 PLC	±	
	ANGLES	±	
MATERIAL	Cu - alloy	FINISH	

DWN	03 APR 2002
CHK	Verougstraete
APVD	
PRODUCT SPEC	
APPLICATION SPEC	408-90000 (assy)
WEIGHT	
CUSTOMER DRAWING	

<b>tyco</b> Electronics		Tyco Electronics Oostkamp - Belgium	
NAME cable clamp D-Sub housing			
SIZE	CAGE CODE	DRAWING NO	RESTRICTED TO
A3	00779	C-1393561-6	
SCALE 4:1		SHEET 2 OF 2	REV B