

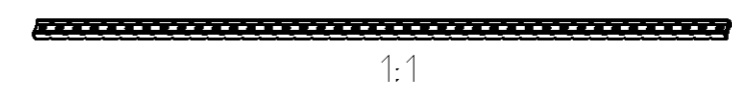
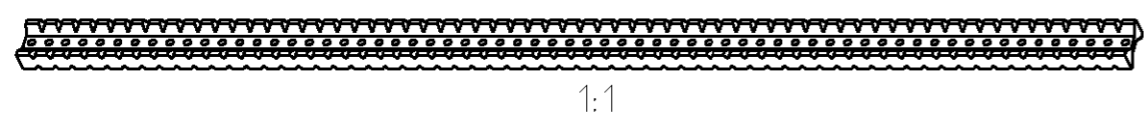
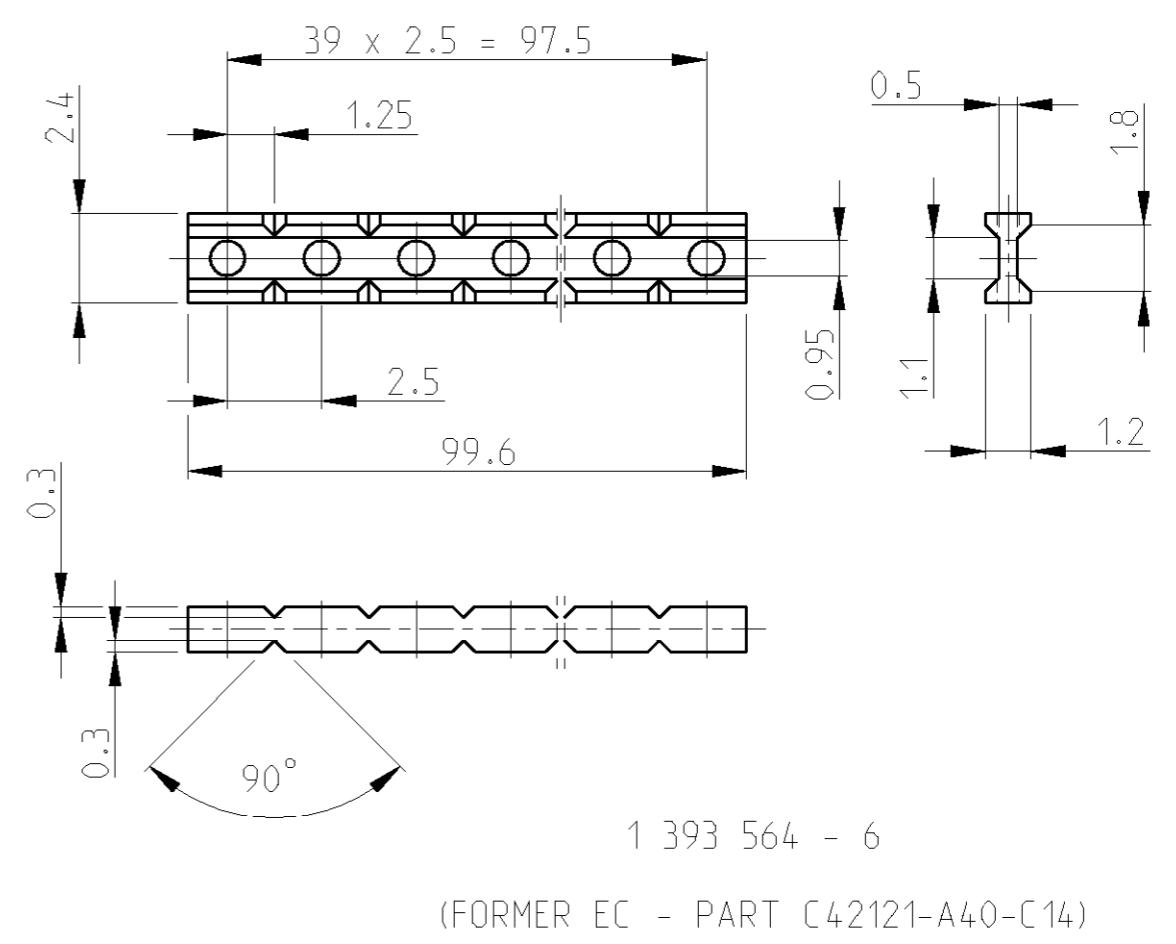
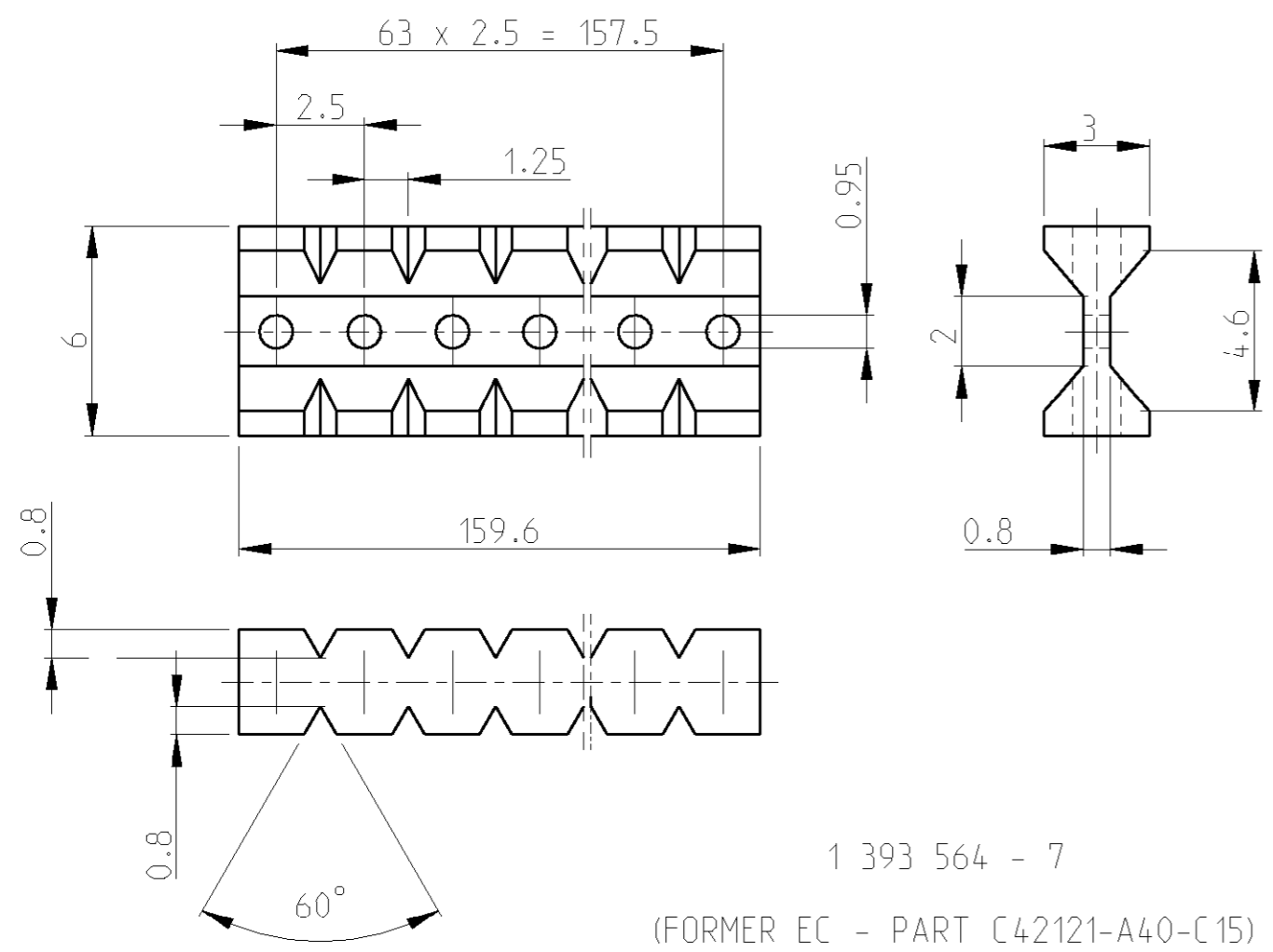
4

3

2

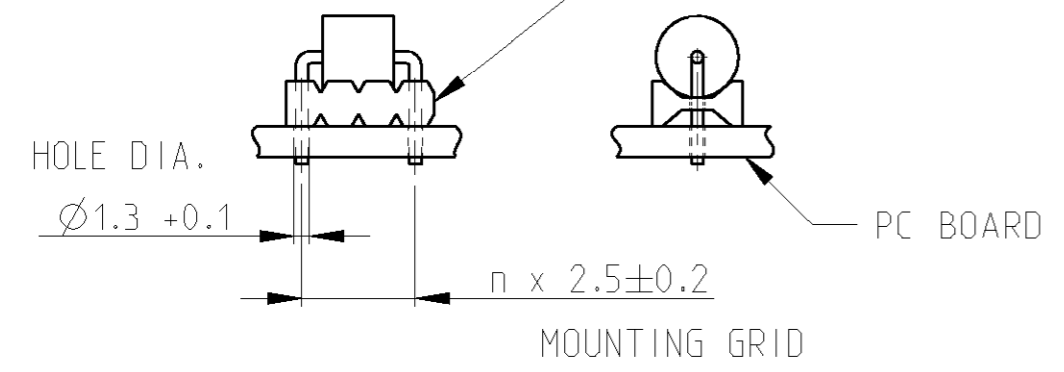
THIS DRAWING IS UNPUBLISHED. RELEASED FOR PUBLICATION 2000  
 © COPYRIGHT 2000 BY TYCO ELECTRONICS CORPORATION. ALL RIGHTS RESERVED.

| LOC | DIST | REVISIONS |     |  |           |     |      |
|-----|------|-----------|-----|--|-----------|-----|------|
|     |      | P         | LTR | DESCRIPTION                              | DATE      | DWN | APVD |
| A1  | -    |           | A   | PART NUMBERS CHANGED TO TYCO ELECTRONICS | 11SEP2001 | ACK | GF   |
|     |      |           | B   | RAW MATERIAL CHANGED                     | 22DEC23   | G.C | W.H  |



APPLICATION EXAMPLE  
 2:1

CUTTED TO LENGTH  
 BEFORE MOUNTING



|   |   |                                  |   |                    |
|---|---|----------------------------------|---|--------------------|
| THIS DRAWING IS A CONTROLLED DOCUMENT FOR TYCO ELECTRONICS CORPORATION<br>IT IS SUBJECT TO CHANGE AND THE CONTROLLING ENGINEERING ORGANIZATION SHOULD BE CONTACTED FOR THE LATEST REVISION. |   | DWN<br>G. ACKERMANN<br>11SEP2001 | tyco Electronics AMP GmbH<br>D - 67346 Speyer |                    |
| DIMENSIONS:<br>mm   | TOLERANCES UNLESS OTHERWISE SPECIFIED:<br>$\pm 0.2$   | CHK<br>M. SCHLEIHAUF             | NAME<br>MOUNTING FIXTURES<br>HALTERUNG        |                    |
|   | 0 PLC $\pm$<br>1 PLC $\pm$<br>2 PLC $\pm$<br>3 PLC $\pm$<br>4 PLC $\pm$<br>ANGLES $\pm 1^\circ$ | APVD<br>G. FELDMEIER             | RESTRICTED TO                                 |                    |
| MATERIAL<br>PBT   | FINISH<br>-   | PRODUCT SPEC<br>-                | SIZE<br>A3                                    | CAGE CODE<br>00779 |
|   |   | APPLICATION SPEC<br>-            | DRAWING NO<br>C=1393564-7                     | SCALE<br>5:1       |
|   |   | WEIGHT<br>-                      | SHEET 1 OF 1                                  |                    |
|   |   | CUSTOMER DRAWING                 | REV B   |                    |