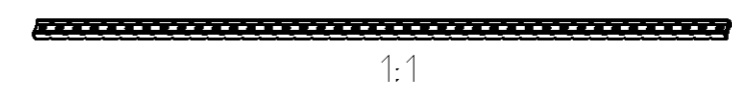
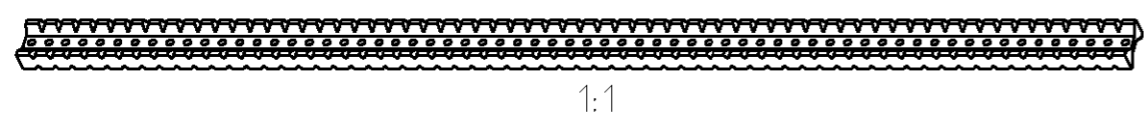
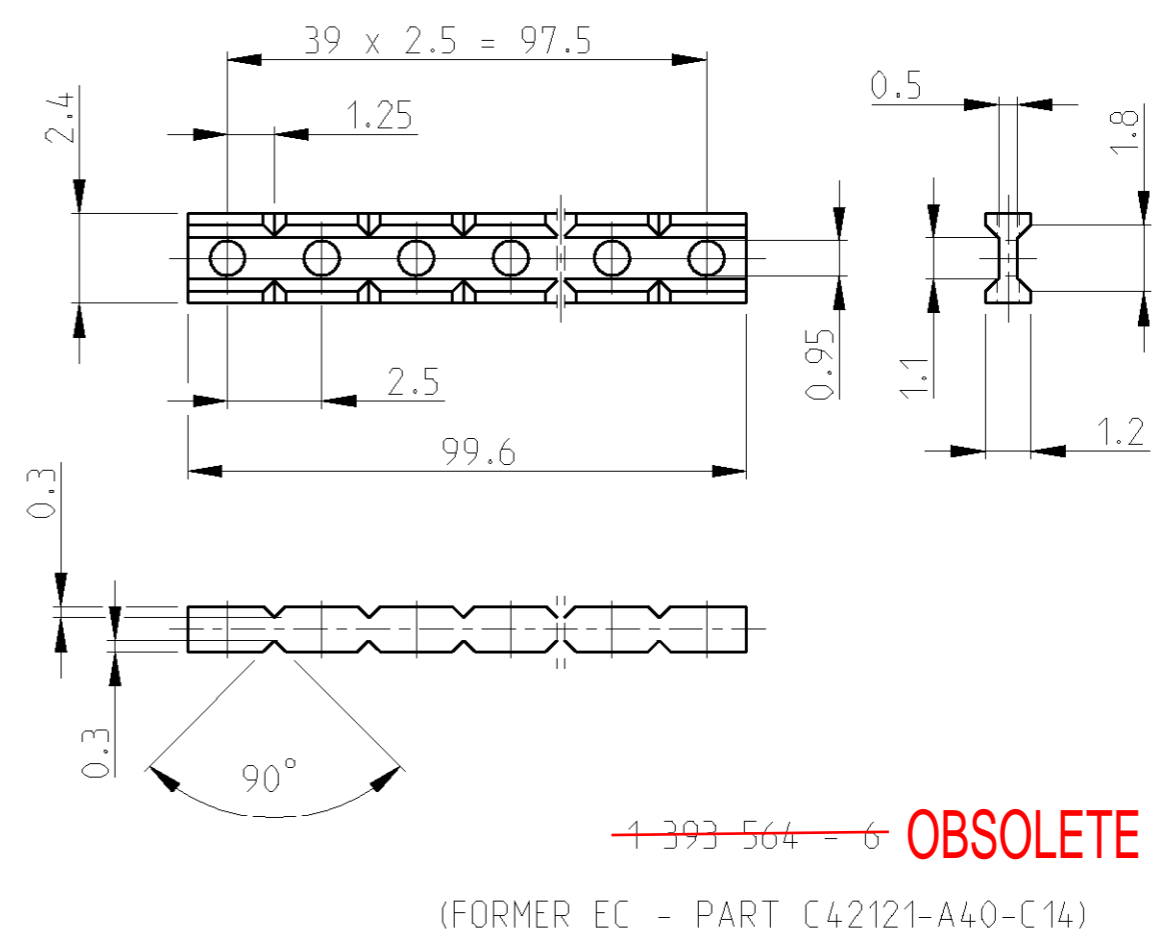
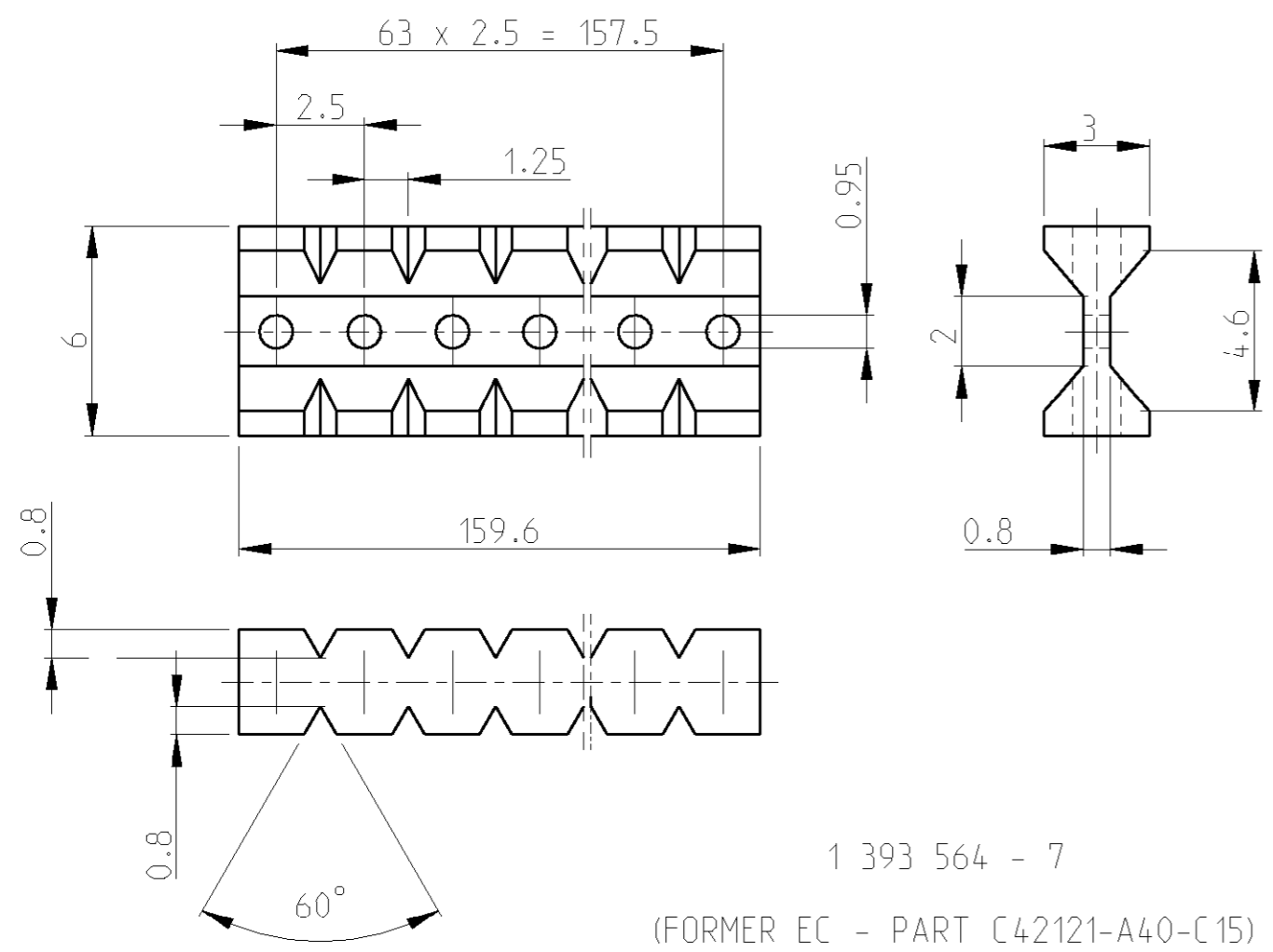


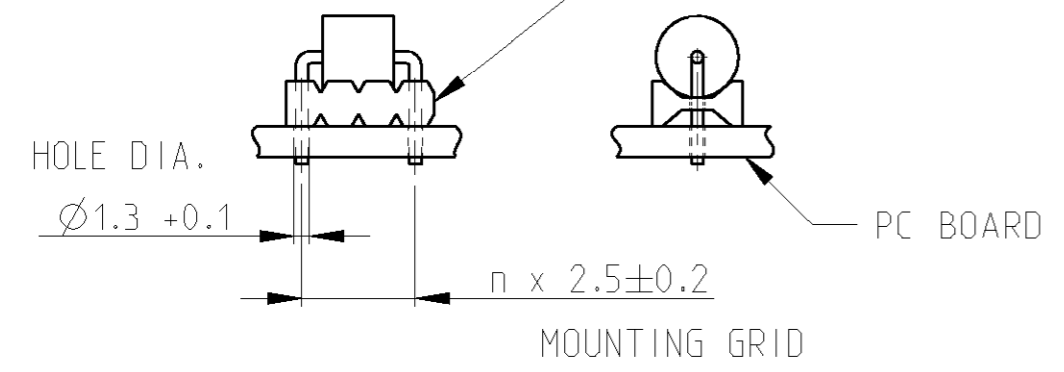
THIS DRAWING IS UNPUBLISHED. RELEASED FOR PUBLICATION 2000
 © COPYRIGHT 2000 BY TYCO ELECTRONICS CORPORATION. ALL RIGHTS RESERVED.

LOC	DIST	REVISIONS					
		P	LTR	DESCRIPTION	DATE	DWN	APVD
A1	-		B4	REVISED AS PER ECR-24-220670	13Sep2024	MK	GC



APPLICATION EXAMPLE
 2:1

CUTTED TO LENGTH
 BEFORE MOUNTING



<small>THIS DRAWING IS A CONTROLLED DOCUMENT FOR TYCO ELECTRONICS CORPORATION IT IS SUBJECT TO CHANGE AND THE CONTROLLING ENGINEERING ORGANIZATION SHOULD BE CONTACTED FOR THE LATEST REVISION.</small>		DWN G. ACKERMANN 11SEP2001 CHK M. SCHLEIHAUF APVD G. FELDMELER PRODUCT SPEC APPLICATION SPEC WEIGHT -		tyco Electronics tyco Electronics AMP GmbH D - 67346 Speyer NAME MOUNTING FIXTURES HALTERUNG	
DIMENSIONS: mm 	TOLERANCES UNLESS OTHERWISE SPECIFIED: ± 0.2 0 PLC \pm 1 PLC \pm 2 PLC \pm 3 PLC \pm 4 PLC \pm ANGLES $\pm 1^\circ$	MATERIAL PBT FINISH -	SIZE A3 CAGE CODE 00779 DRAWING NO. C=1393564-7	RESTRICTED TO - SCALE 5:1 SHEET 1 OF 1 REV B4	CUSTOMER DRAWING