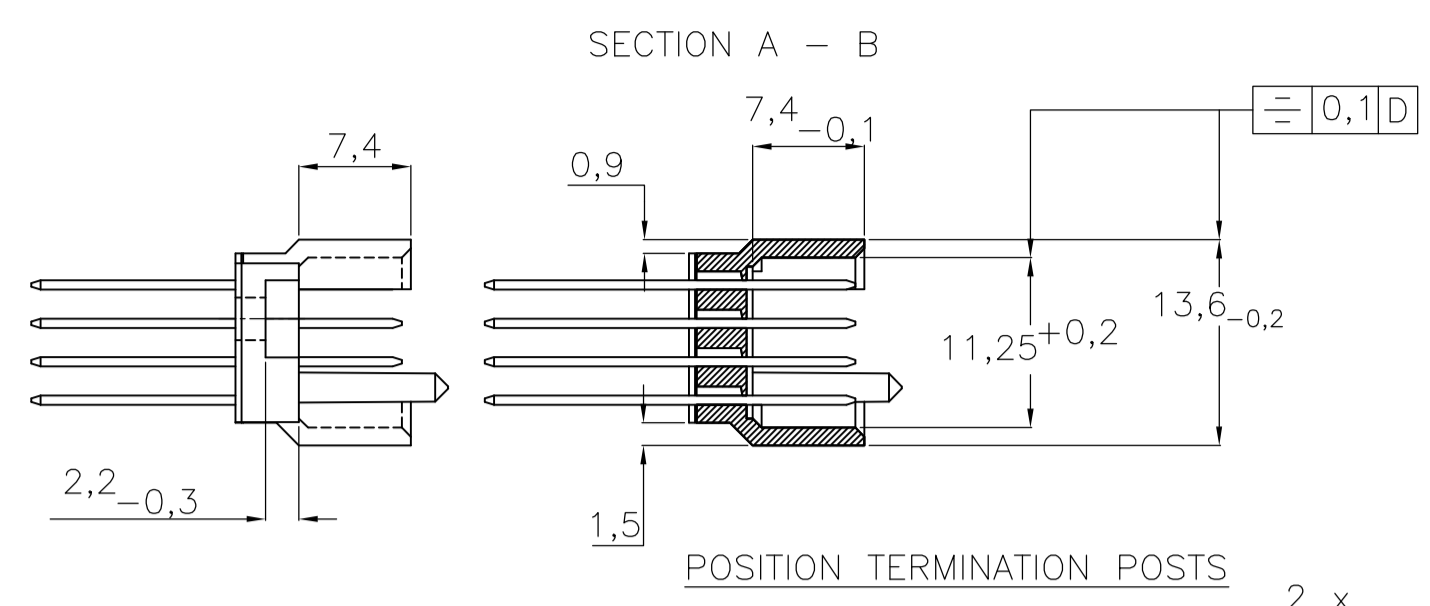
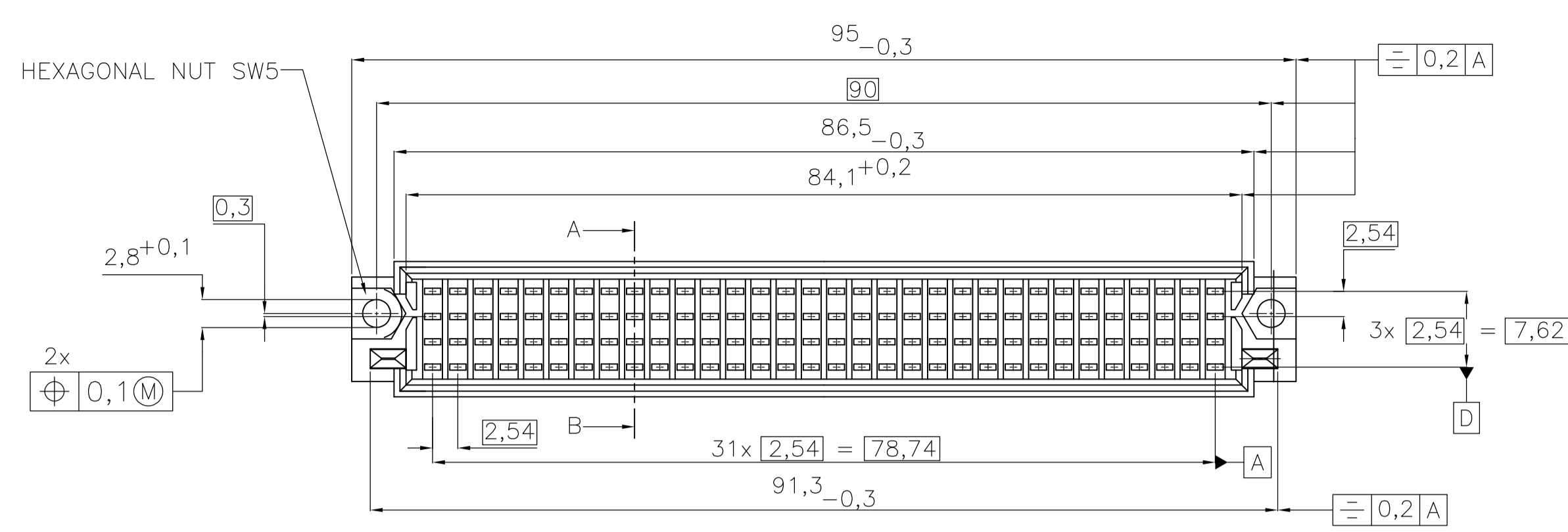
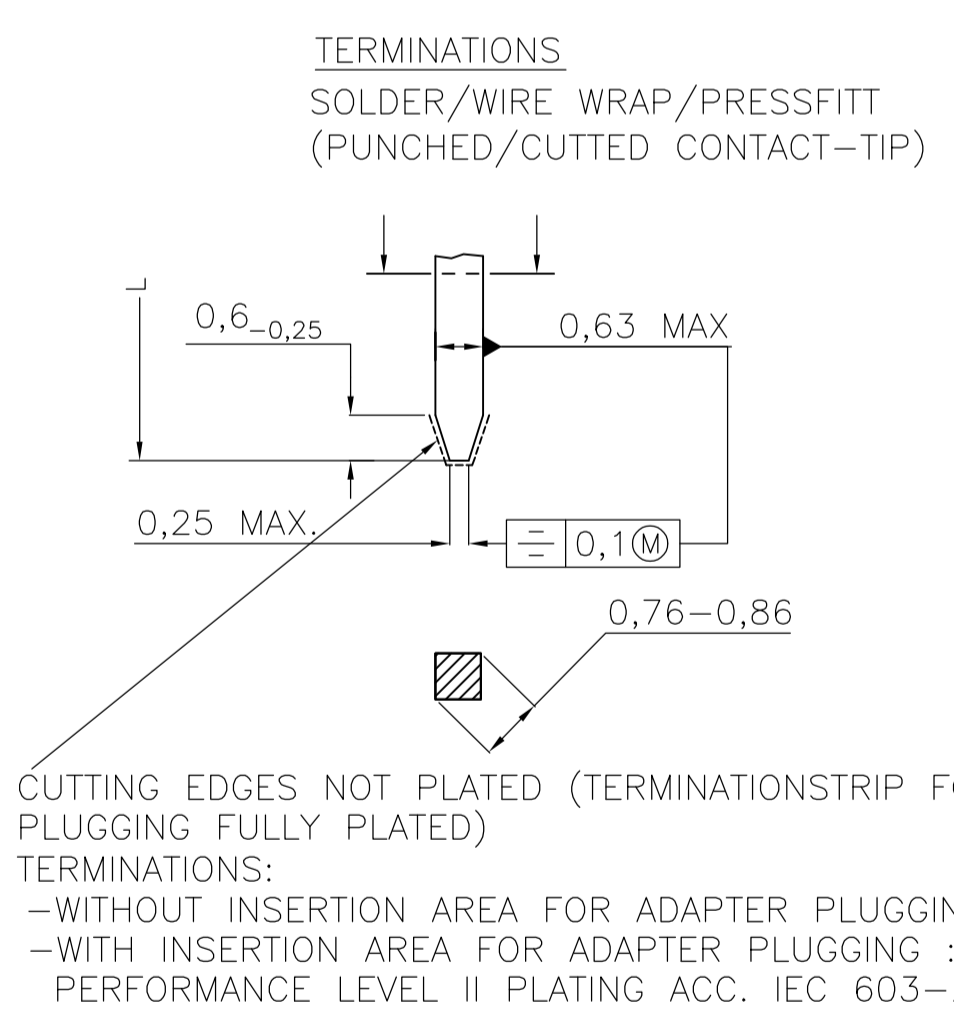
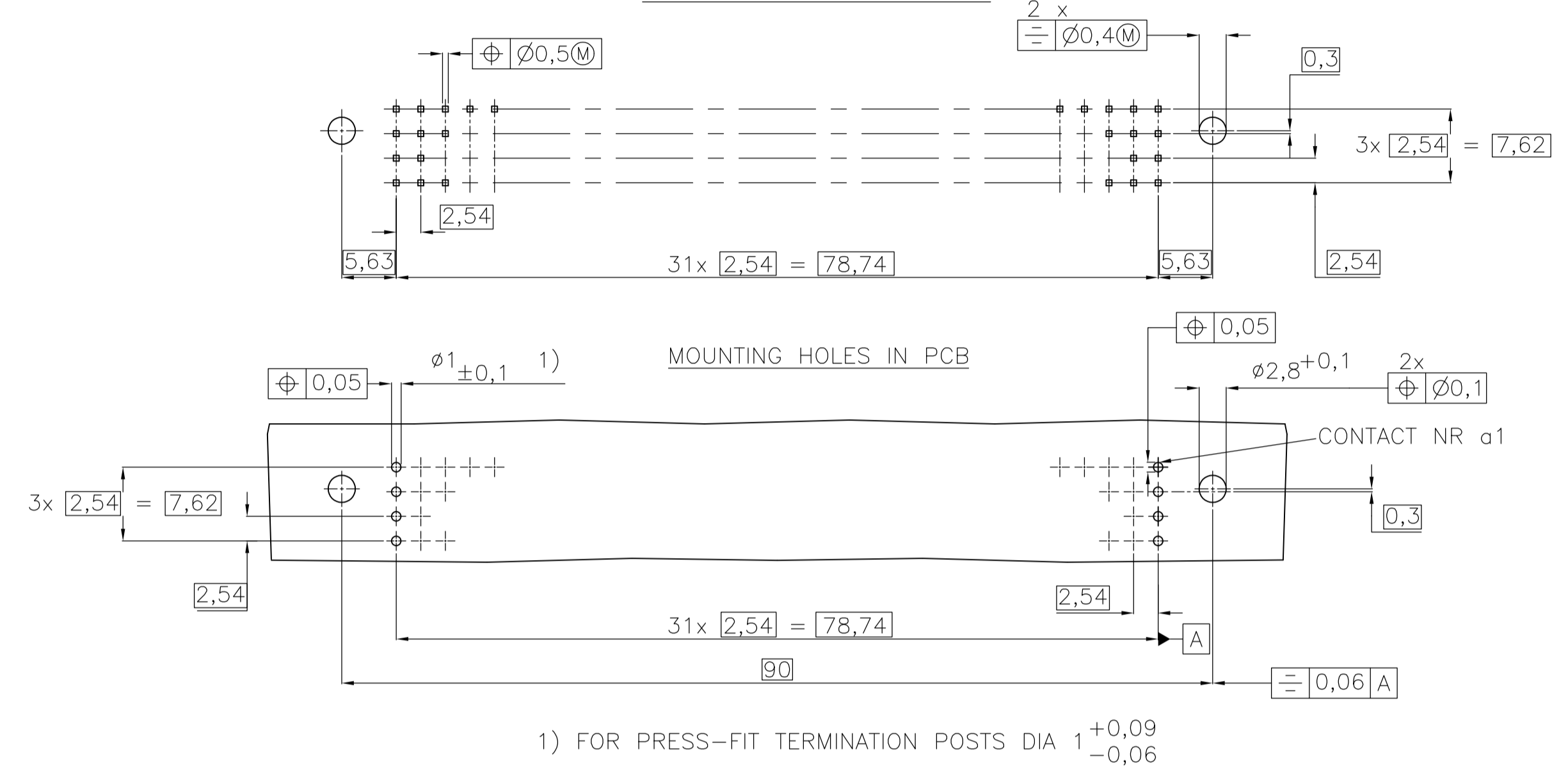
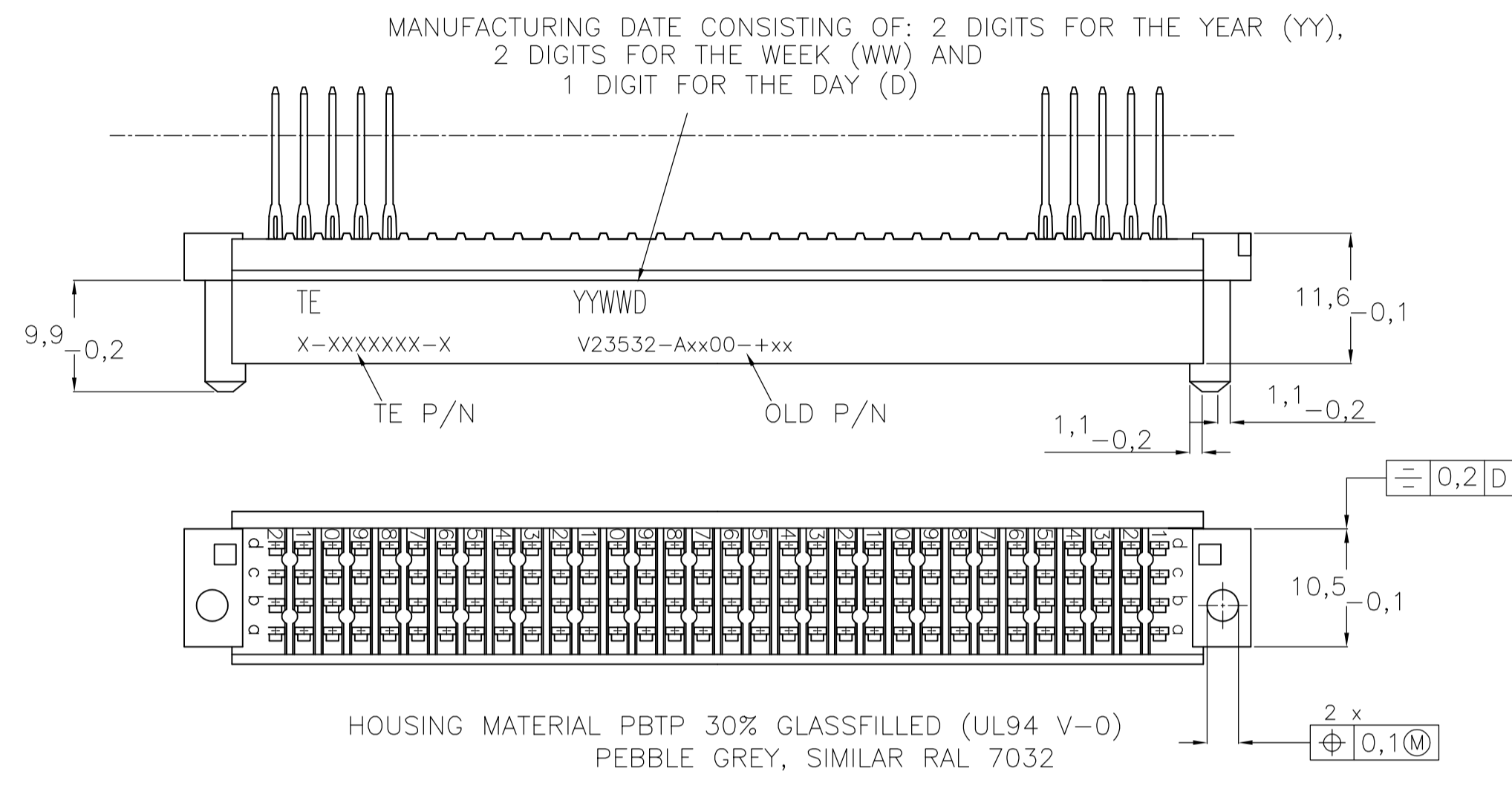


REVISONS		DATE	BY	APVD
C	SR10-0179-01	07-05-01	BC	
D	SR10-0274-03	05-11-03	KV	
D1	ECR-08-001315	03-04-09	AEG	MKO

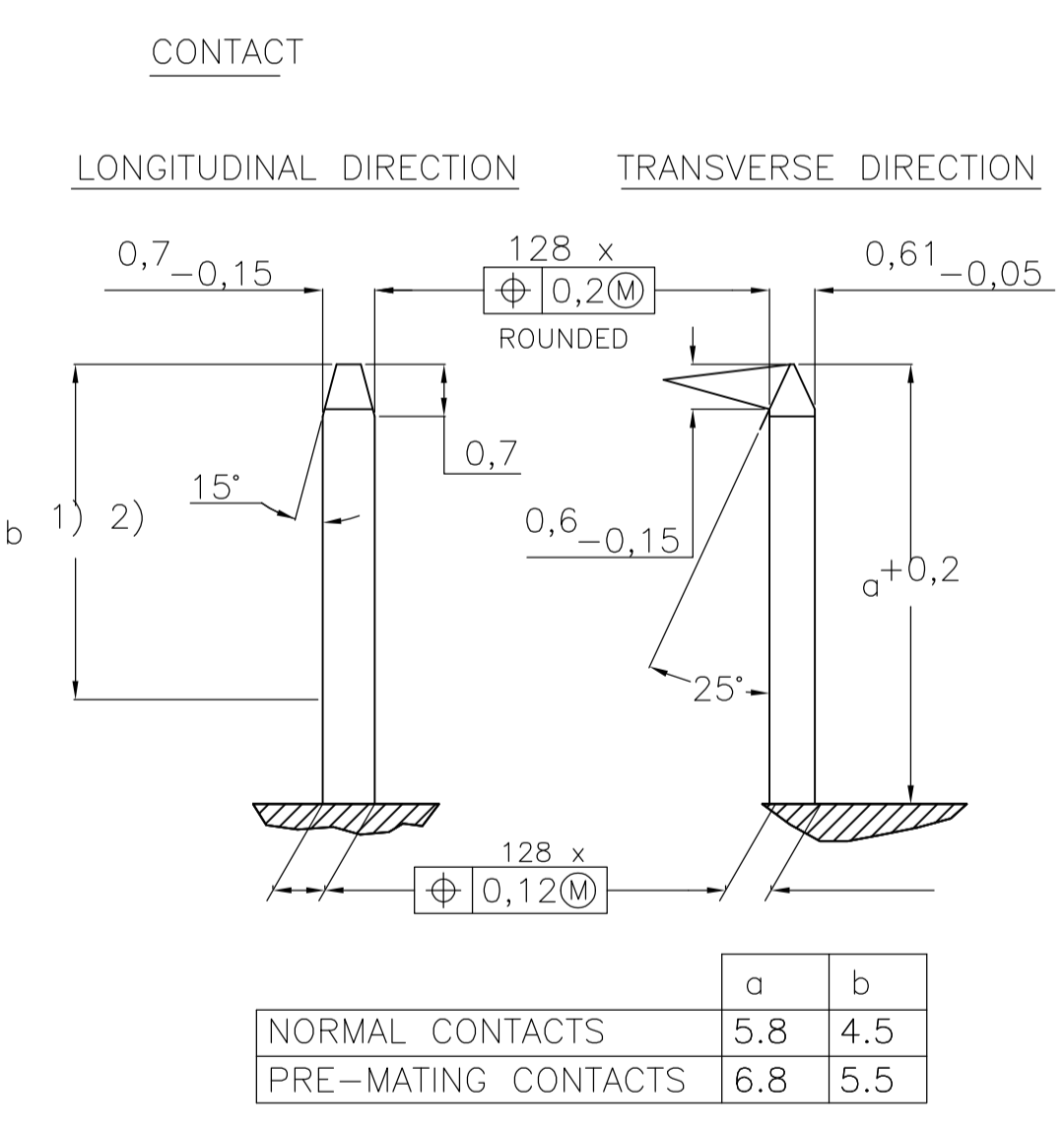


V23532-A**00-D***
 CODE FOR TERMINATION STYLE
 CODE FOR PERFORMANCE LEVEL
 CODE FOR CONTACT ASSIGNMENT



	L	CODING
SOLDER/WIRE WRAP FOR PCB HOLES ϕ 1mm	4.5 \pm 0.3	02
	6.3 \pm 0.3	03
	13 \pm 0.5	40
PRESSFIT/WIRE WRAP FOR PCB HOLES ϕ 1mm	4 \pm 0.5	63
	13 \pm 0.5	60
PRESSFIT/WIRE WRAP FOR ADAPTER PLUGGING FOR PCB HOLES ϕ 1mm	13 \pm 0.5	66
	20 \pm 0.5	68

V23532-A**00-D***
 TERMINATION CONTACT
 FOR ADAPTER PLUGGING
 MIN. 4,5 mm
 AREA FOR CONTACT PLATING



MATERIAL: COPPER ALLOY
 NICKEL UNDERLAYER
 PROTECTION FILM: HF-GREASE
 1) REFERENCE AREA AS USED IN TABLE
 2) MINIMUM DIMENSION

CODING	PERFORMANCE LEVEL	NOBLE MATERIALS
1	CLASS I	Pd + Au or Au
2	CLASS II	Pd + Au or Au
3	CLASS III	Pd + Au or Au

 V23532-A**00-D***

1) EVERY ROW, POSITIONS 1 AND 32.
 2) PERFORMANCE LEVEL : ACC. TO DIN 41612 AND IEC 603-2
 ACTIVE PARTNUMBERS.
 CONTACT TYCO ELECTRONICS FOR OTHER CONFIGURATION AVAILABILITY.

OLD PARTNUMBERS	TE PN (1-7-1)	CONTACT ASSIGNMENT	STANDARD PREMATING 1)	PERFORMANCE LEVEL 2)	TERMINATION STYLE	
V23532-A1000-D163	0-1393694-1	EVERY ROW , EVERY PITCH	YES	1	4mm PRESS-IN POSTS	OBSOLETE
V23532-A1000-D202	0-1393694-3	EVERY ROW , EVERY PITCH	YES	2	4,5mm STRAIGHT SOLDER POSTS	OBSOLETE
V23532-A1000-D263	0-1393694-4	EVERY ROW , EVERY PITCH	YES	2	4mm PRESS-IN POSTS	OBSOLETE
V23532-A1000-D266	0-1393694-5	EVERY ROW , EVERY PITCH	YES	2	13mm PRESS-IN POSTS FOR ADAPTER PLUGGING (PERF. LEVEL 2)	
V23532-A1000-D268	0-1393694-6	EVERY ROW , EVERY PITCH	YES	2	20mm PRESS-IN POSTS FOR ADAPTER PLUGGING (PERF. LEVEL 2)	

THIS DRAWING IS A CONTROLLED DOCUMENT. DIN DOBBELAERE 07DEC89 Tyco Electronics Tyco Electronics Corporation 's-Hertogenbosch, Nederland

DIMENSIONS: mm TOLERANCES UNLESS OTHERWISE SPECIFIED:
 0 PLC ± -
 1 PLC ± -
 2 PLC ± -
 3 PLC ± -
 4 PLC ± -
 ANGLES ± -

MATERIAL FINISH

APVD NAME PRODUCT SPEC APPLICATION SPEC WEIGHT SIZE CASE CODE DRAWING NO. RESTRICTED TO

A1 00779 C=1393694-1

CUSTOMER DRAWING SCALE NTS SHEET 1 OF 1 REV D1