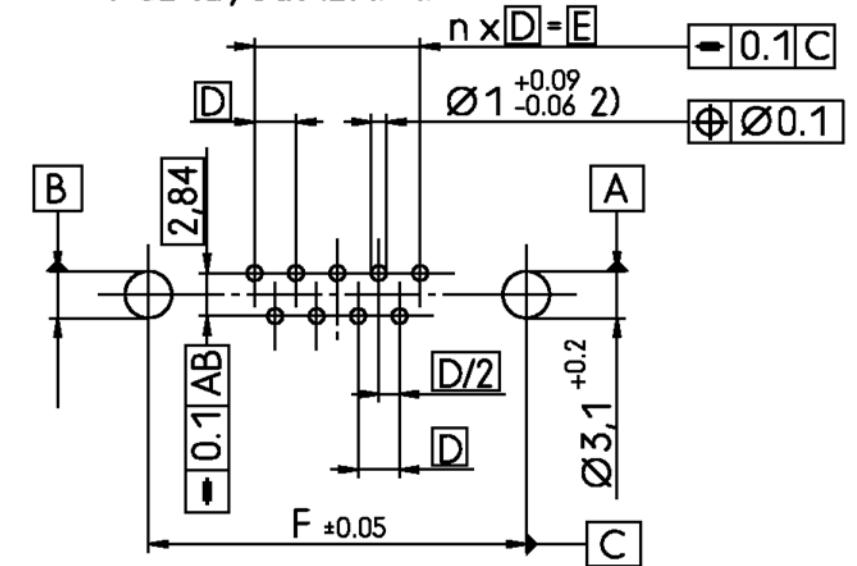
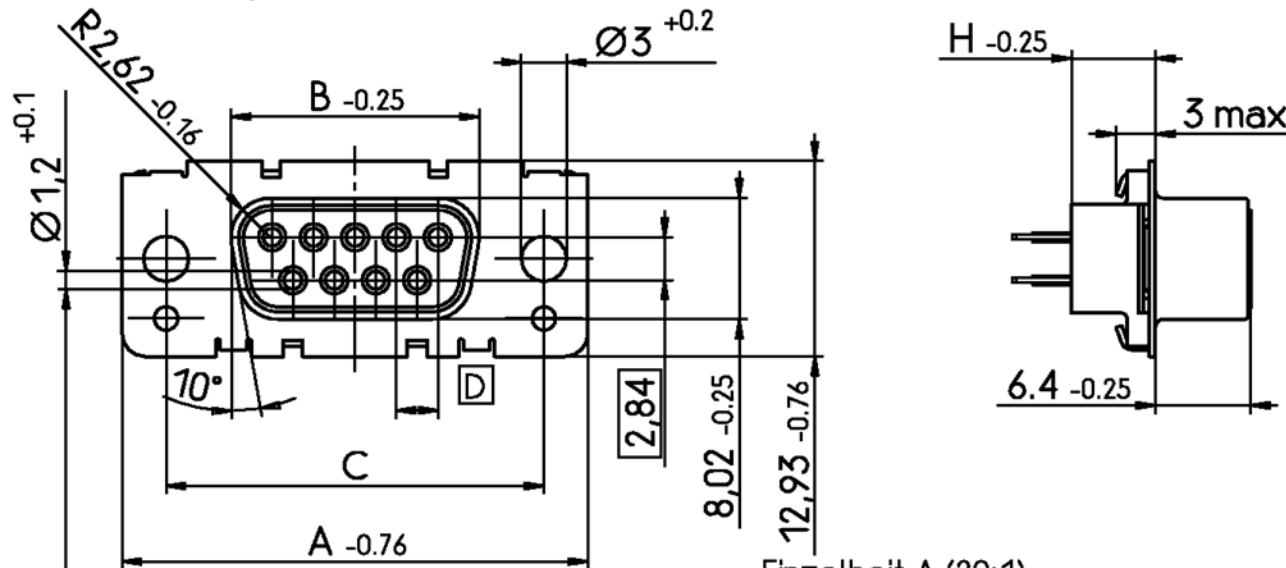


Standardausführung: V23529-E1101-B***
 Basic type :

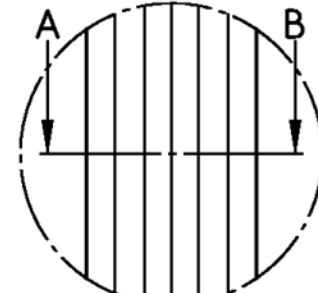
Loch Ø3 durchgehend
 through-hole Ø3

Leiterplattenbohrung (2:1) 4)
 PCB layout (2:1) 4)

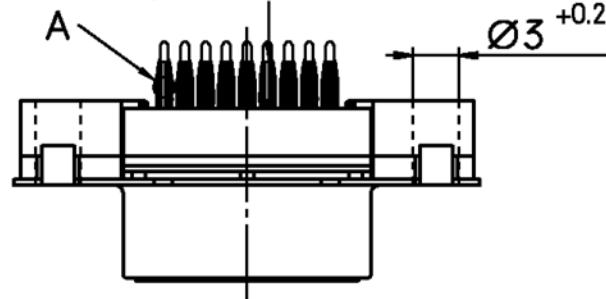


alle Kontakte
 all contacts
 Ø0.08

Einzelheit A (20:1)
 Detail A (20:1)



Tyco/Electronics eigene Einpresszone S-Press
 own press-in zone S-Press



Schnitt A-B
 Cross-section A-B



Sachnr./ordercode V23529-E1***-	Polzahl Contacts	n	Maß / Dimensions						
			A	B	C	D	E	F	
B*09	09	4	31.19	16.46	25.00	^{+0.12} _{-0.13}	2.74	10.96	25.00
B*15	15	7	39.52	24.79	33.30	^{+0.15} _{-0.1}	2.74	19.18	33.30
B*25	25	12	53.42	38.50	47.04	^{+0.13} _{-0.13}	2.76	33.12	47.04
B*37	37	18	69.70	54.96	63.50	^{+0.13} _{-0.13}	2.76	49.68	63.50

Anforderungsstufe 1)
 performance level 1)

Sachnr./ordercode V23529-	Einbauhöhe Mounting height	Maß H Dimension H
E11**-B***	5,7	5.7
E15**-B***		
E12**-B***	6,3	6.3
E16**-B***		
E19**-B***		

5) Durchmetallisierte Löcher für Massepreßbolzen; incl. Oberflächenbehandlung:
 Geeignet für elastische Einpreßzonen
 Metallisierung des Loches: 5...15µm Sn oder SnPb über min 25µm Cu
 Bohrdurchmesser: Ø3.15±0.025

4) Gilt nicht für V23529-E1*08-B***, -E1*28-B***, -E1*48-B***,
 -E1*09-B***, -E1*29-B***, -E1*49-B***,
 -E1*10-B***, -E1*30-B***, -E1*50-B***,
 -E1*11-B***, -E1*31-B***, -E1*51-B***; siehe hierzu Blatt 4
 und -E1*14-B*** und -E1*15-B***: siehe hierzu Blatt 5

2) Nach DIN 41611 T.5, DIN IEC 352-5; incl. Oberflächenbehandlung
 1) Nach DIN 41652 T.2 und T.4

5) plated-through holes for groundig sockets; surface treatment incl.:
 applicable for elastic press-in zones
 plating of the hole: 5...15µm Sn or SnPb over 25µm cu
 hole: Ø3.15±.025

4) Not for V23529-E1*08-B***, -E1*28-B***, -E1*48-B***,
 -E1*09-B***, -E1*29-B***, -E1*49-B***,
 -E1*10-B***, -E1*30-B***, -E1*50-B***,
 -E1*11-B***, -E1*31-B***, -E1*51-B***; see page 4
 and -E1*14-B*** and -E1*15-B***: see page 5

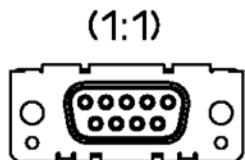
2) according to DIN 41611 p.5, DIN IEC 352-5; surface treatment incl.
 1) according to DIN 41652 p.2 and p.4

Dargestellt wird die 9-polige Ausführung : V23529-E1101-B*09
 On the drawing : the 9-pole version : V23529-E1101-B*09

tyco TYCO ELECTRONICS CORPORATION		SCALE 2:1 (20:1 1:1)		WEIGHT	
OOSTKAMP - BELGIUM		DIMENSIONS IN MM		MATERIAL	
DATE 08.10.92		PART NAME		SHT. 1+	
NAME Debrouwere		D-Sub press-in female connector		OF 9	
DEP. EC CS CI PD		Sub-D Einpreß Buchsenleiste			
TOLERANCE UNLESS SPECIFIED OTHERWISE		PART NO.			
D ECO-12-018934 02NOV12 SLB		V23529-E1***-B***-*-27			
REV. CHANGE ORDER DATE APP.		Customer Drawing Nr. C 1393731-9			

THIS INFORMATION IS CONFIDENTIAL AND PROPRIETARY TO TYCO ELECTRONICS CORPORATION AND ITS WORLDWIDE SUBSIDIARIES AND AFFILIATES. IT MAY NOT BE DISCLOSED TO ANYONE, OTHER THAN TYCO ELECTRONICS PERSONNEL, WITHOUT WRITTEN AUTHORIZATION FROM TYCO ELECTRONICS CORPORATION, HARRISBURG PENNSYLVANIA USA

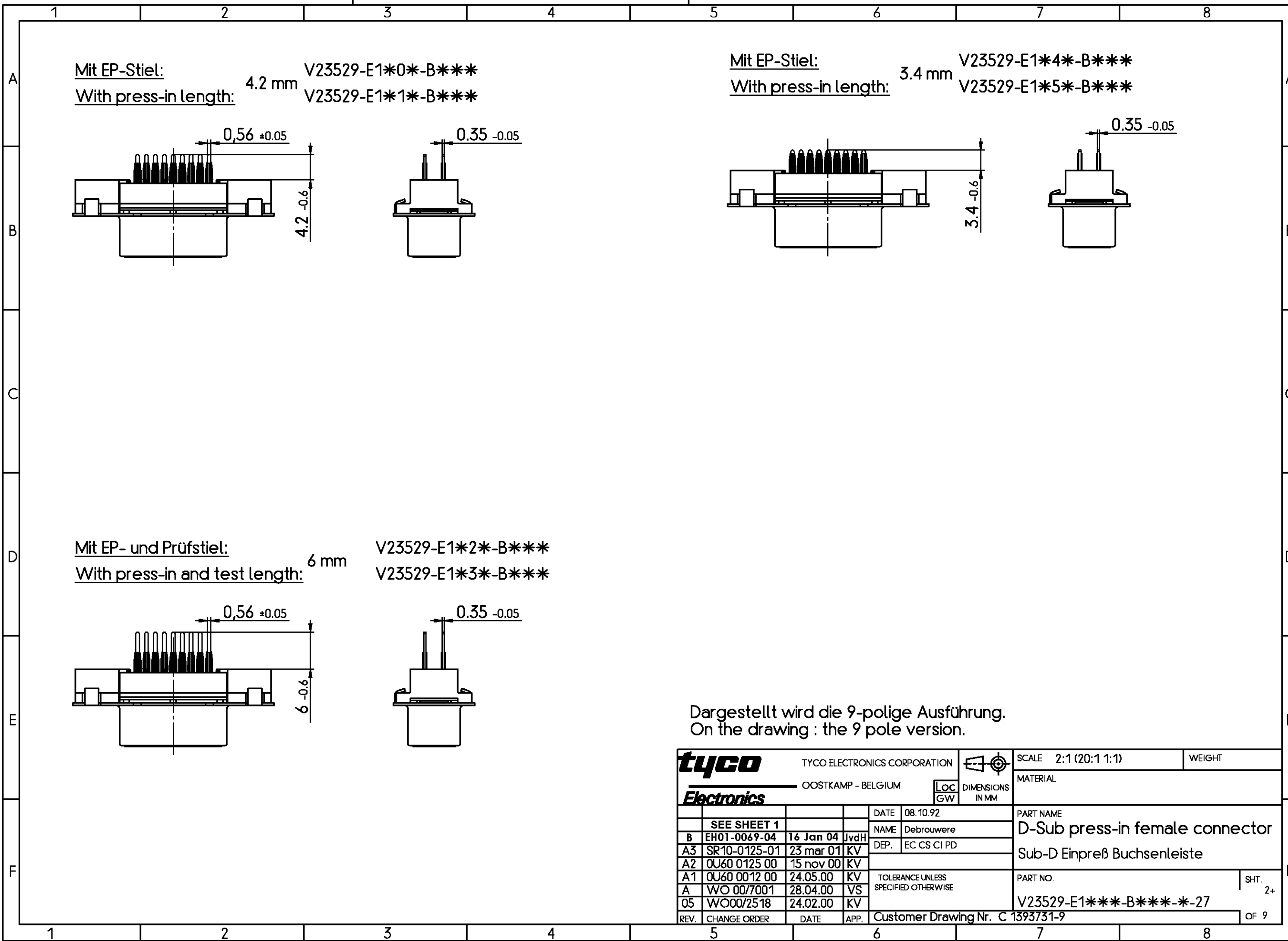
PROPRIETARY:



(1:1)

THIS INFORMATION IS CONFIDENTIAL AND PROPRIETARY TO TYCO ELECTRONICS CORPORATION AND ITS WORLDWIDE
 SUBSIDIARIES AND AFFILIATES. IT MAY NOT BE DISCLOSED TO ANYONE, OTHER THAN TYCO ELECTRONICS PERSONNEL,
 WITHOUT WRITTEN AUTHORIZATION FROM TYCO ELECTRONICS CORPORATION, HARRISBURG PENNSYLVANIA USA

PROPRIETARY:



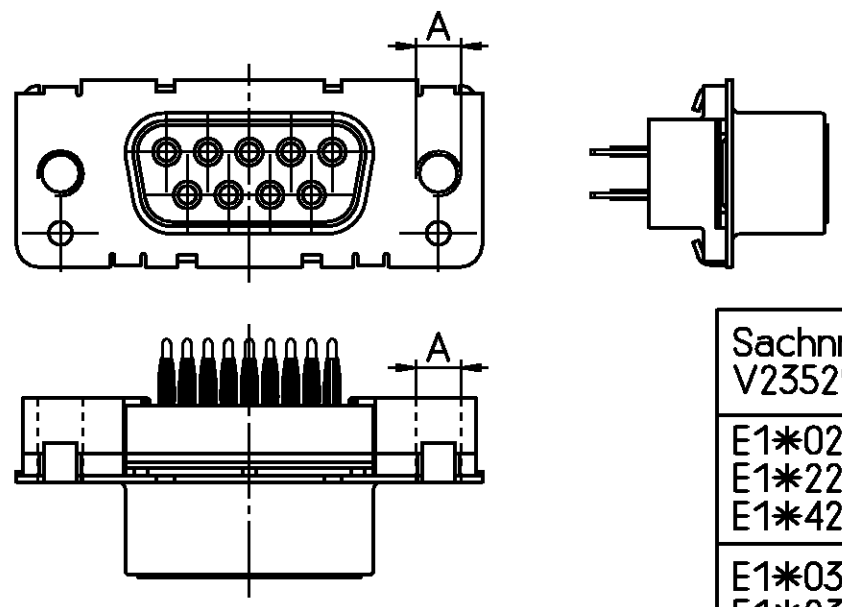
Dargestellt wird die 9-polige Ausführung.
 On the drawing : the 9 pole version.

tyco		TYCO ELECTRONICS CORPORATION				SCALE 2:1 (20:1 1:1)	WEIGHT
Electronics		OOSTKAMP - BELGIUM		LOC GW		DIMENSIONS IN MM	
SEE SHEET 1		DATE 08.10.92		PART NAME		MATERIAL	
B	EH01-0069-04	16 Jan 04	JvdH	NAME Debrouwere		D-Sub press-in female connector	
A3	SR10-0125-01	23 mar 01	KV	DEP. EC CS CI PD		Sub-D Einpreß Buchsenleiste	
A2	OU60 0125 00	15 nov 00	KV	TOLERANCE UNLESS SPECIFIED OTHERWISE		PART NO.	
A1	OU60 0012 00	24.05.00	KV			V23529-E1***-B***-*-27	
A	WO 00/7001	28.04.00	VS			SHT. 2+	
05	WO00/2518	24.02.00	KV	Customer Drawing Nr. C 1393731-9		OF 9	
REV.	CHANGE ORDER	DATE	APP.				

THIS INFORMATION IS CONFIDENTIAL AND PROPRIETARY TO TYCO ELECTRONICS CORPORATION AND ITS WORLDWIDE SUBSIDIARIES AND AFFILIATES. IT MAY NOT BE DISCLOSED TO ANYONE, OTHER THAN TYCO ELECTRONICS PERSONNEL, WITHOUT WRITTEN AUTHORIZATION FROM TYCO ELECTRONICS CORPORATION, HARRISBURG PENNSYLVANIA USA

PROPRIETARY:

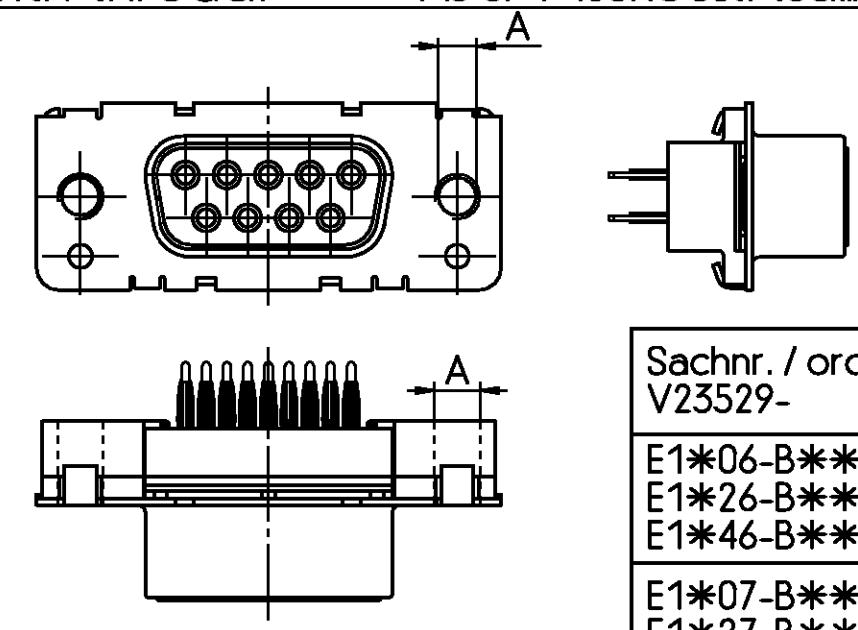
Mit Massebolzen: M3 oder 4-40 UNC durchgehend
with thread: M3 or 4-40UNC full length



Sachnr. / ordercode V23529-	Maß A Dimension A
E1*02-B*** E1*22-B*** E1*42-B***	M3
E1*03-B*** E1*23-B*** E1*43-B***	4-40 UNC

Verdrehbarkeit >= 70Ncm
torsional strength >= 70Ncm

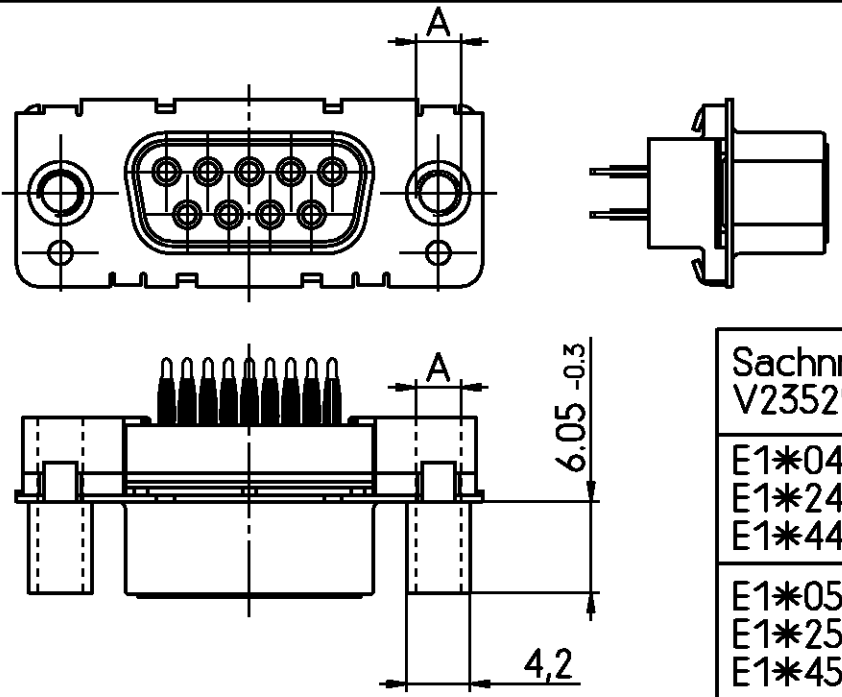
Mit Stopbolzen: M3 oder 4-40 UNC selbstsichernd
with thread: M3 or 4-40UNC self-locking



Sachnr. / ordercode V23529-	Maß A Dimension A
E1*06-B*** E1*26-B*** E1*46-B***	M3
E1*07-B*** E1*27-B*** E1*47-B***	4-40 UNC

Verdrehbarkeit >= 70Ncm
torsional strength >= 70Ncm

Mit Gewindebolzen: M3 oder 4-40 UNC durchgehend
with stud bolt screwlock: M3 or 4-40UNC full length



Sachnr. / ordercode V23529-	Maß A Dimension A
E1*04-B*** E1*24-B*** E1*44-B***	M3
E1*05-B*** E1*25-B*** E1*45-B***	4-40 UNC

Verdrehbarkeit >= 70Ncm
torsional strength >= 70Ncm

Erläuterungen: Seite 1
Dargestellt wird die 9-polige Ausführung.

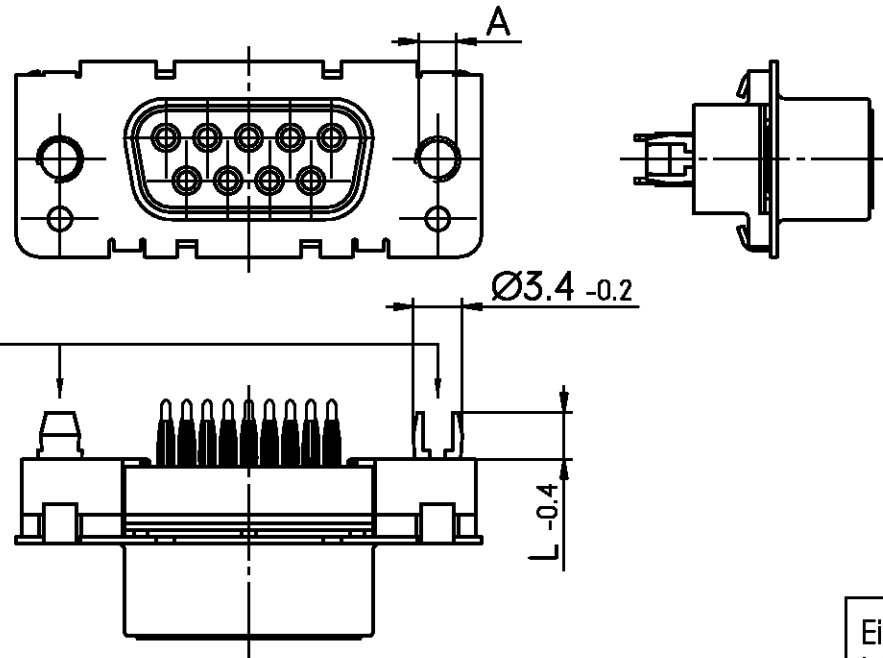
Remarks: page 1
On the drawing: the 9 pole version.

tyco TYCO ELECTRONICS CORPORATION		SCALE 2:1 (20:1 1:1)		WEIGHT
OOSTKAMP - BELGIUM		DIMENSIONS IN MM		MATERIAL
DATE 08.10.92		NAME Debrouwere		PART NAME
DEP. EC CS CI PD		TOLERANCE UNLESS SPECIFIED OTHERWISE		D-Sub press-in female connector
REV. CHANGE ORDER		DATE		PART NO.
APP.		Customer Drawing Nr. C 1393731-9		SHT. 3+
SEE SHEET 1		DATE 08.10.92		V23529-E1***-B***-*-27
B	EH01-0069-04	16 Jan 04	JvdH	OF 9
A3	SR10-0125-01	23 mar 01	KV	
A2	OU60 0125 00	15 nov 00	KV	
A1	OU60 0012 00	24.05.00	KV	
A	WO 00/7001	28.04.00	VS	
05	WO00/2518	24.02.00	KV	

THIS INFORMATION IS CONFIDENTIAL AND PROPRIETARY TO TYCO ELECTRONICS CORPORATION AND ITS WORLDWIDE SUBSIDIARIES AND AFFILIATES. IT MAY NOT BE DISCLOSED TO ANYONE, OTHER THAN TYCO ELECTRONICS PERSONNEL, WITHOUT WRITTEN AUTHORIZATION FROM TYCO ELECTRONICS CORPORATION, HARRISBURG PENNSYLVANIA USA

PROPRIETARY:

Mit Massepreßbolzen: Innengewinde M3 oder 4-40 UNC
With thread M3 or 4-40 UNC and grounding socket



Sachnr. / ordercode V23529-	Maß A Dimension A
E1*08-B***	M3
E1*28-B***	
E1*48-B***	
E1*09-B***	4-40 UNC
E1*29-B***	
E1*49-B***	

Verdrehbarkeit >= 70Ncm
 torsional strength >= 70Ncm
 Tiefe des Innengewindes >= 3
 Depth inner thread >= 3

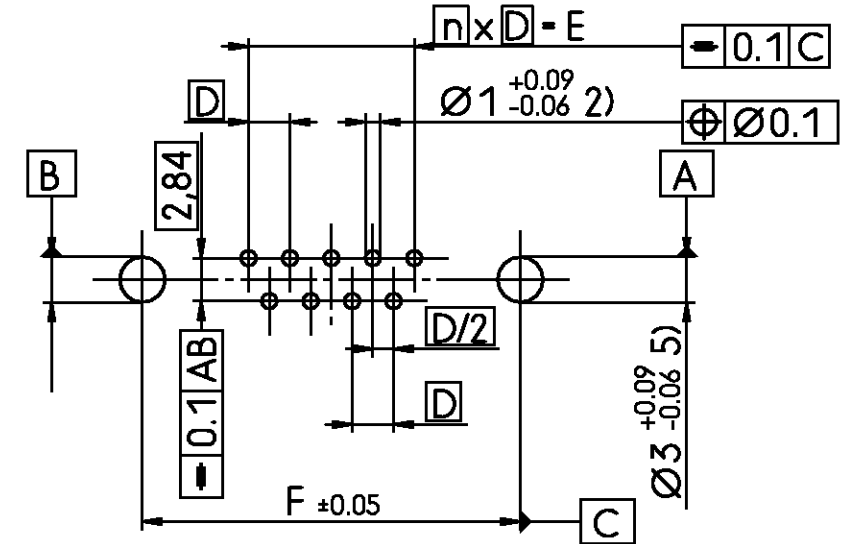
Einbauhöhe Mounting height	Maß L Dimension L
5,7	3.3
6,3	2.7

Leiterplattenbohrung

Für Ausführung mit Massepreßbolzen und Ausführung mit Gewindebolzen mit Clip

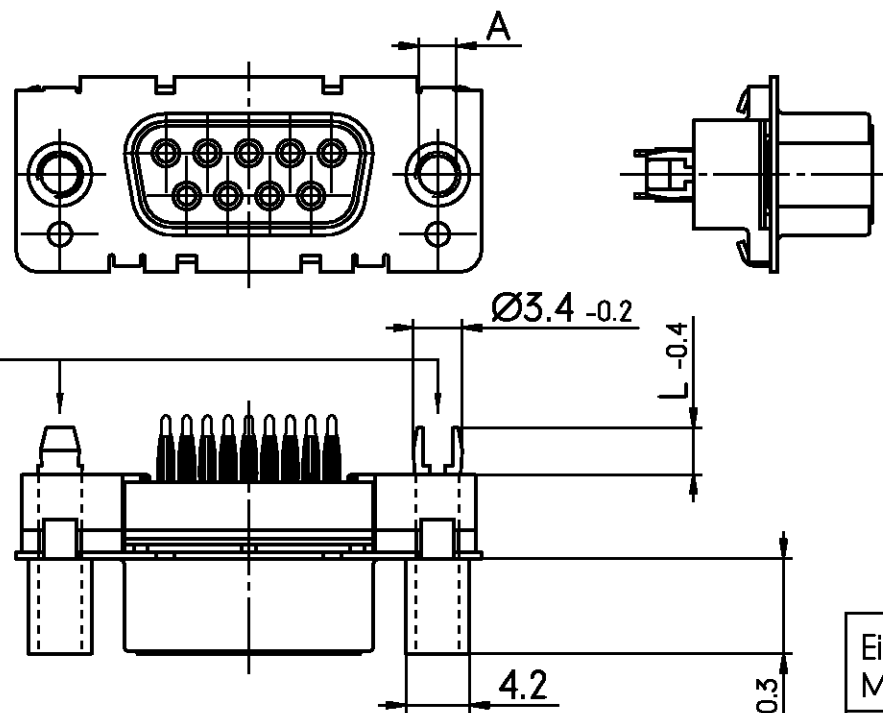
PCB layout

for version with socket grounding



Sachnr. ordercode V23529- E1***-	Polzahl contacts n	Maß Dimension			
		D	E	F	
B*09	09	4	2.74	10.96	25.00
B*15	15	7	2.74	19.18	33.30
B*25	25	12	2.76	33.12	47.04
B*37	37	18	2.76	49.68	63.50

Mit Gewindebolzen mit Clip: Innengewinde M3 oder 4-40 UNC
With stud bolt screwlock and grounding socket: thread M3 or 4-40 UNC



Sachnr. / ordercode V23529-	Maß A Dimension A
E1*10-B***	M3
E1*30-B***	
E1*50-B***	
E1*11-B***	4-40 UNC
E1*31-B***	
E1*51-B***	

Verdrehbarkeit >= 70Ncm
 torsional strength >= 70Ncm
 Tiefe des Innengewindes >= 3
 Depth inner thread >= 3

Einbauhöhe Mounting height	Maß L Dimension L
5,7	3.3
6,3	2.7

Erläuterungen: Seite 1
 Dargestellt wird die 9-polige Ausführung.

Remarks: page 1
 On the drawing : the 9 pole version.

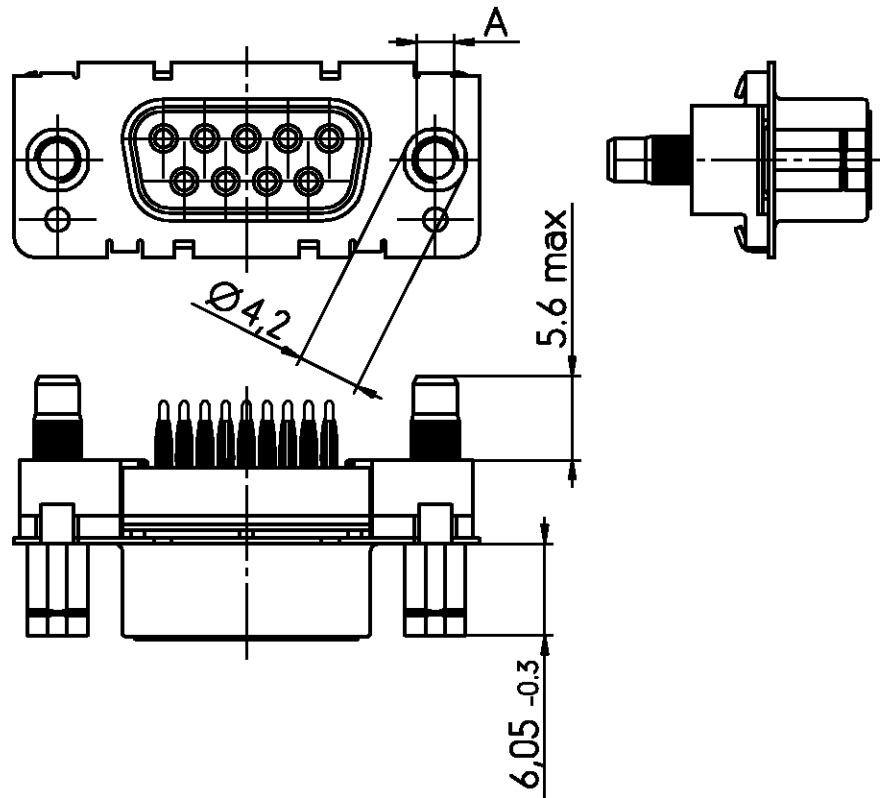
Lage der Schlitz der Massepreßbolzen:
 1 Schlitz parallel zu Längsachse Stvb.
 1 Schlitz parallel zu Längsachse Stvb.
 Positioning of the grounding sockets:
 1 slot widthways and 1 slot perpendicular to this

tyco TYCO ELECTRONICS CORPORATION		SCALE 2:1 (20:1 1:1)		WEIGHT
OOSTKAMP - BELGIUM		DIMENSIONS IN MM		MATERIAL
LOC GW		DATE 08.10.92	PART NAME	
SEE SHEET 1		NAME Debrouwere	D-Sub press-in female connector	
B	EH01-0069-04 16 Jan 04 JvdH	DEP. EC CS CI PD	Sub-D Einpreß Buchsenleiste	
A3	SR10-0125-01 23 mar 01 KV	TOLERANCE UNLESS SPECIFIED OTHERWISE		PART NO.
A2	OJ60 0125 00 15 nov 00 KV	V23529-E1***-B***-*-27		SHT. 4+
A1	OJ60 0012 00 24.05.00 KV	Customer Drawing Nr. C 1393731-9		OF 9
A	WO 00/7001 28.04.00 VS			
05	WO00/2518 24.02.00 KV			
REV.	CHANGE ORDER	DATE	APP.	

THIS INFORMATION IS CONFIDENTIAL AND PROPRIETARY TO TYCO ELECTRONICS CORPORATION AND ITS WORLDWIDE SUBSIDIARIES AND AFFILIATES. IT MAY NOT BE DISCLOSED TO ANYONE, OTHER THAN TYCO ELECTRONICS PERSONNEL, WITHOUT WRITTEN AUTHORIZATION FROM TYCO ELECTRONICS CORPORATION, HARRISBURG PENNSYLVANIA USA

PROPRIETARY:

Mit Massepreßbolzen: Innengewinde M3 oder 4-40 UNC
 With thread M3 or 4-40 UNC and grounding socket



Sachnr. / ordercode V23529-	Maß A Dimension A
E1*14-B***	M3
E1*34-B***	
E1*54-B***	
E1*15-B***	4-40 UNC
E1*35-B***	
E1*55-B***	

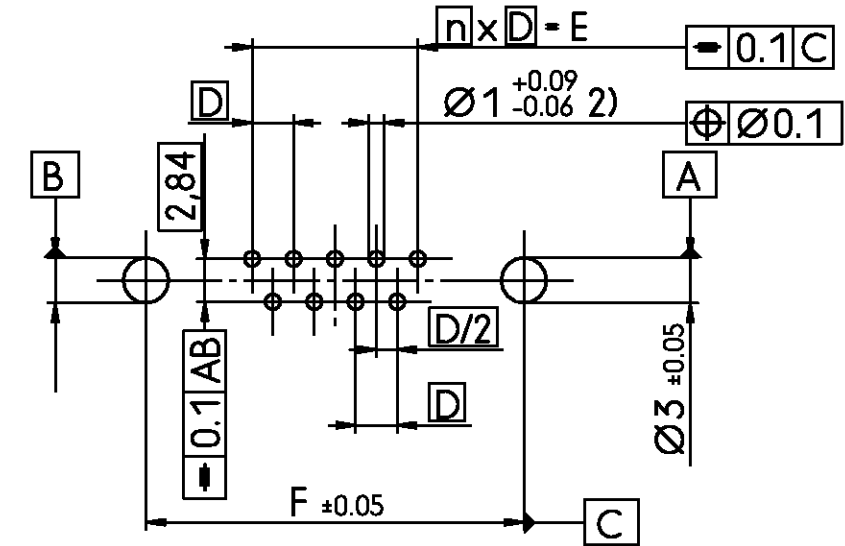
Verdrehsicherheit >= 70Ncm
 torsional strength >= 70Ncm
 Tiefe des Innengewindes >= 4
 Depth inner thread >= 4

Leiterplattenbohrung

Für Ausführung mit Massepreßbolzen und Gewindebolzen massiv

PCB layout

for version with solid grounding stud bolt screwlock



Sachnr. ordercode V23529- E1***-	Polzahl contacts		Maß Dimension		
		n	D	E	F
B*09	09	4	2.74	10.96	25.00
B*15	15	7	2.74	19.18	33.30
B*25	25	12	2.76	33.12	47.04
B*37	37	18	2.76	49.68	63.50

Erläuterungen: Seite 1
 Dargestellt wird die 9-polige Ausführung.

Remarks: page 1
 On the drawing : the 9 pole version.

tyco		TYCO ELECTRONICS CORPORATION		SCALE 2:1 (20:1 1:1)		WEIGHT	
Electronics		OOSTKAMP - BELGIUM		DIMENSIONS IN MM		MATERIAL	
SEE SHEET 1		DATE 08.10.92		PART NAME			
B EH01-0069-04 16 Jan 04 JvdH		NAME Debrouwere		D-Sub press-in female connector			
A3 SR10-0125-01 23 mar 01 KV		DEP. EC CS CI PD		Sub-D Einpreß Buchsenleiste			
A2 0U60 0125 00 15 nov 00 KV		TOLERANCE UNLESS SPECIFIED OTHERWISE		PART NO.			
A1 0U60 0012 00 24.05.00 KV				V23529-E1***-B***-*27			
A WO 00/7001 28.04.00 VS				SHT. 5+			
05 WO00/2518 24.02.00 KV		REV. CHANGE ORDER		DATE		APP. Customer Drawing Nr. C 1393731-9	
						OF 9	

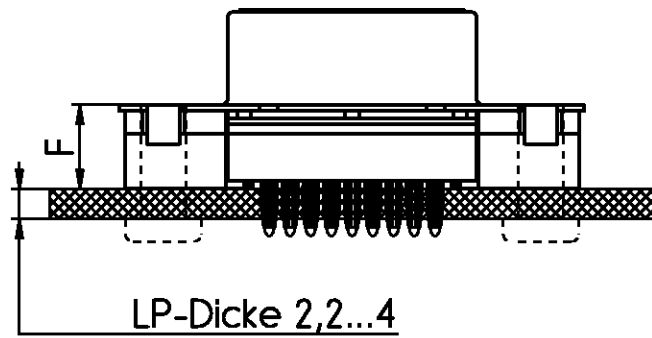
Verpreßhinweis

- * Einpressbar über Kunststoff
- * Einpressen mit Presse 1-1393491-3 (2-Hub-Pressse 60kN) oder herkömmlichen Pressen:

- Druckstück 1393490-5, Ausführung mit Massepreßbolzen V23529-E***8-+*** und -E***9-+*** : Druckeinsatz FL 37p 1-1393493-5
- Andere Ausführungen : Druckeinsatz FL 37p 1-1393493-3
- Amboß 3-1393489-4 verwenden
- Einstellhöhe: Abstand zwischen LP und angedrucktem Stempel für Einbauhöhe 5.7: 11.5 +0.15
für Einbauhöhe 6.3: 12.1 +0.15

* Stecker verschrauben:

Stecker mit LP verschraubt

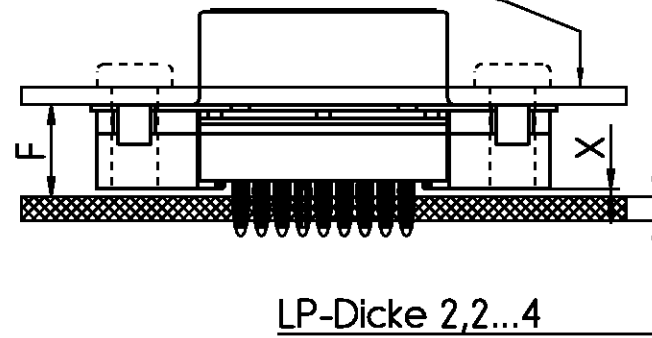


LP-Dicke 2,2...4

- * Kein Spalt zwischen Steckerflansch und LP

- * Steckerflanschhöhe F:
Einbauhöhe 5.7 5.7 -0.25
Einbauhöhe 6.3 6.3 -0.25

Stecker mit Rückwand verschraubt

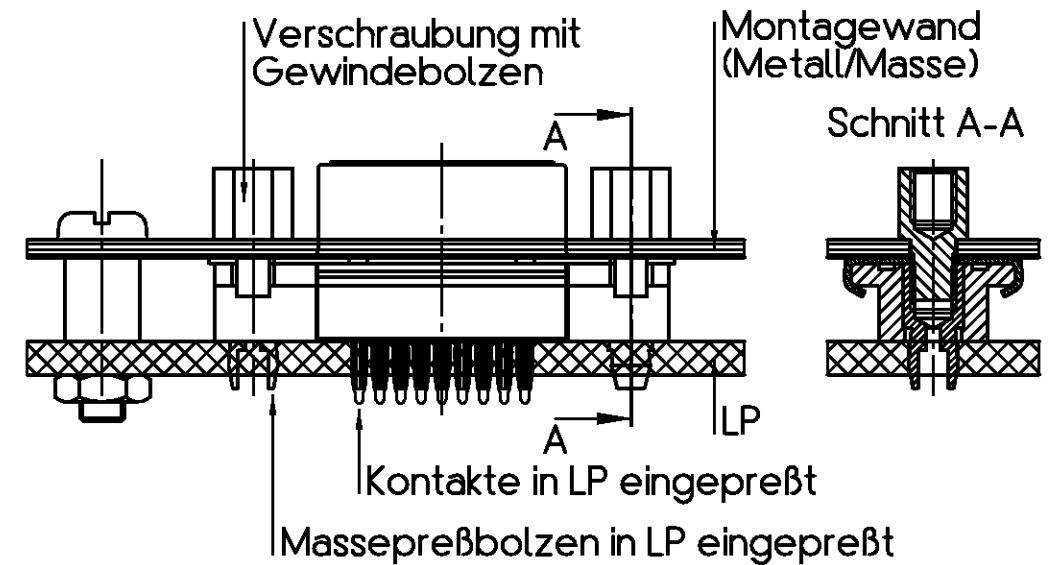


LP-Dicke 2,2...4

- * Spalt X zwischen Steckerflansch und LP 0.15mm max

- * Steckerflanschhöhe F:
Einbauhöhe 5.7 5.8 -0.35
Einbauhöhe 6.3 6.4 -0.35

* Aufbau mit Massepreßbolzen



tyco		TYCO ELECTRONICS CORPORATION		SCALE 2:1 (20:1 1:1)		WEIGHT	
Electronics		OOSTKAMP - BELGIUM		DIMENSIONS IN MM		MATERIAL	
SEE SHEET 1		DATE 08.10.92		PART NAME		D-Sub press-in female connector	
B	EH01-0069-04	16 Jan 04	JvdH	NAME	Debrouwere	Sub-D Einpreß Buchsenleiste	
A3	SR10-0125-01	23 mar 01	KV	DEP.	EC CS CI PD	PART NO.	
A2	OU60 0125 00	15 nov 00	KV	TOLERANCE UNLESS SPECIFIED OTHERWISE		V23529-E1***-B***-*-27	
A1	OU60 0012 00	24.05.00	KV	Customer Drawing Nr. C 1393731-9		SHT. 6+	
A	WO 00/7001	28.04.00	VS			OF 9	
05	WO00/2518	24.02.00	KV				
REV.	CHANGE ORDER	DATE	APP.				

THIS INFORMATION IS CONFIDENTIAL AND PROPRIETARY TO TYCO ELECTRONICS CORPORATION AND ITS WORLDWIDE SUBSIDIARIES AND AFFILIATES. IT MAY NOT BE DISCLOSED TO ANYONE, OTHER THAN TYCO ELECTRONICS PERSONNEL, WITHOUT WRITTEN AUTHORIZATION FROM TYCO ELECTRONICS CORPORATION, HARRISBURG PENNSYLVANIA USA

PROPRIETARY:

THIS INFORMATION IS CONFIDENTIAL AND PROPRIETARY TO TYCO ELECTRONICS CORPORATION AND ITS WORLDWIDE SUBSIDIARIES AND AFFILIATES. IT MAY NOT BE DISCLOSED TO ANYONE, OTHER THAN TYCO ELECTRONICS PERSONNEL, WITHOUT WRITTEN AUTHORIZATION FROM TYCO ELECTRONICS CORPORATION, HARRISBURG PENNSYLVANIA USA

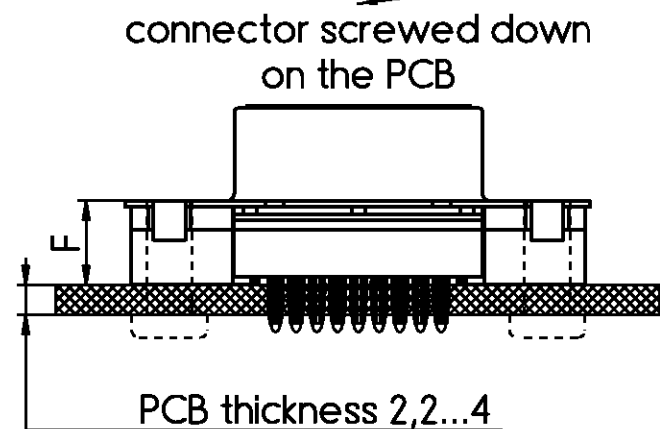
PROPRIETARY:

Press-in guideline

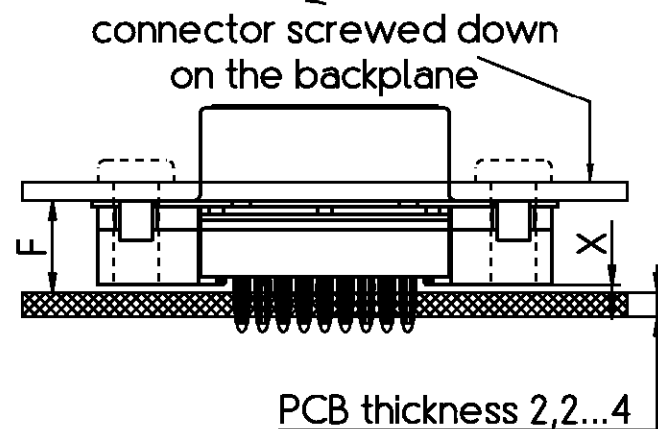
- *) pressed in via the plastic connector body
- *) press-in machines: 2 strokes press 60kN: 1-1393491-3
or common presses:

- press-die 1393490-5,
version with thread and grounding clip V23529-E***8-+*** und -E***9-+*** : use press-insert FL 37p 1-1393493-5
other versions: use press-insert FL 37p 1-1393493-3
Anvil: 3-1393489-4
- height setup: distance between PCB and pressed on stamp
for mounting height 5.7: 11.5 +0.15
for mounting height 6.3: 12.1 +0.15

*) screwing down the connector

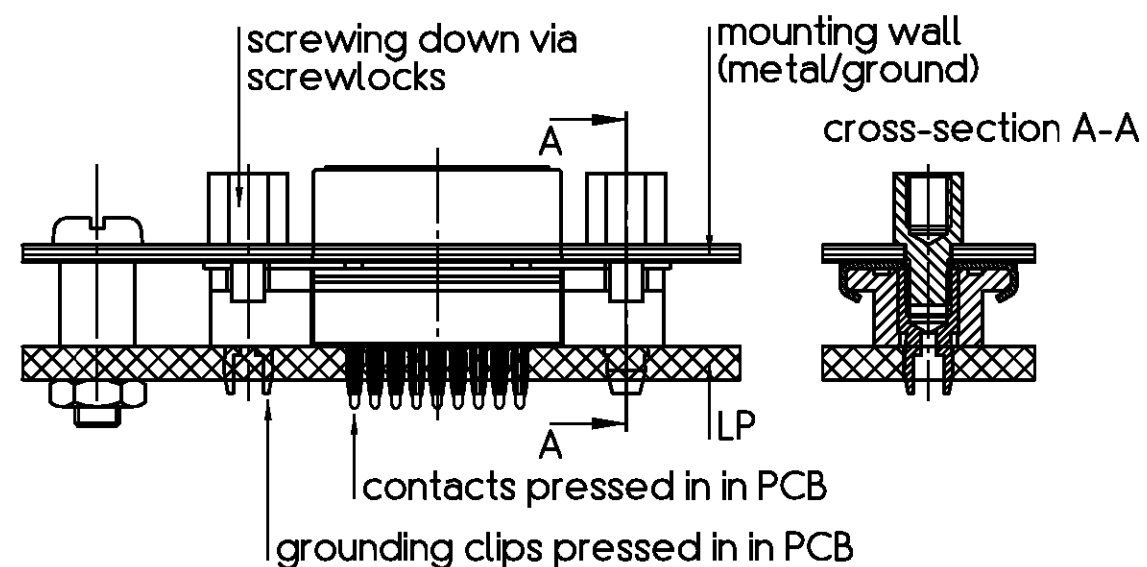


- *) no gap between connector and PCB
- *) connector height F:
mounting height 5.7 5.7 -0.25
mounting height 6.3 6.3 -0.25



- *) gap X between connector and PCB 0.15mm max
- *) connector height F:
mounting height 5.7 5.8 -0.35
mounting height 6.3 6.4 -0.35

*) setup with grounding clip



tyco Electronics		TYCO ELECTRONICS CORPORATION		OOSTKAMP - BELGIUM	LOC GW	DIMENSIONS IN MM	SCALE 2:1 (20:1 1:1)	WEIGHT
		DATE 08.10.92		NAME Debrouwere		PART NAME		
SEE SHEET 1		DATE 23 mar 01		DEP. EC CS CI PD		D-Sub press-in female connector		
B EH01-0069-04		16 Jan 04		KV		Sub-D Einpreß Buchsenleiste		
A3 SR10-0125-01		23 mar 01		KV		PART NO.		
A2 OU60 0125 00		15 nov 00		KV		V23529-E1***-B***-*27		
A1 OU60 0012 00		24.05.00		KV		SHT. 7+		
A WO 00/7001		28.04.00		VS		OF 9		
05 WO00/2518		24.02.00		KV		Customer Drawing Nr. C 1393731-9		
REV. CHANGE ORDER		DATE		APP.		TOLERANCE UNLESS SPECIFIED OTHERWISE		

Sub-D Einpreß Buchsenleiste / D-Sub press-in female connector

V 2 3 5 2 9 - E * * * * - B * * *

BAUFORM // TYPE
E = Einpreßausführung // press-in

AUFBAU // CONFIGURATION
1 = isoliert // insulated

EINBAUHÖHE / BESCHRIFTUNG // MOUNTING HEIGHT / MARKING

1 = 5.7mm / tyco *	OBSOLETE	// 5.7mm / tyco *	OBSOLETE
2 = 6.3mm / tyco *	OBSOLETE	// 6.3mm / tyco *	OBSOLETE
3 = 9.0mm / tyco *	OBSOLETE	// 9.0mm / tyco *	OBSOLETE
5 = 5.7mm / Neutral	OBSOLETE	// 5.7mm / neutral	OBSOLETE
6 = 6.3mm / Neutral	OBSOLETE	// 6.3mm / neutral	OBSOLETE
7 = 9.0mm / Neutral	OBSOLETE	// 9.0mm / neutral	OBSOLETE

ANSCHLUß AUSFÜHRUNG // CONTACT TYPE

0, 1 = EP-Stiel 4.2mm	OBSOLETE	// press-in pin 4.2mm long	OBSOLETE
2, 3 = EP- und Prüfstiel 6mm	OBSOLETE	// press-in and test pin 6mm long	OBSOLETE
4, 5 = EP-Stiel 3.4mm	OBSOLETE	// press-in pin 3.4mm long	OBSOLETE

STECKERBEFESTIGUNG // CONNECTOR MOUNTING

01, 21, 41 = Loch Ø3 durchgehend	OBSOLETE	// through hole Ø3	OBSOLETE
02, 22, 42 = Massebolzen M3	OBSOLETE	// thread full length M3	OBSOLETE
03, 23, 43 = Massebolzen 4-40 UNC	OBSOLETE	// thread full length 4-40UNC	OBSOLETE
04, 24, 44 = Gewindebolzen M3	OBSOLETE	// stud bolt screwlock M3	OBSOLETE
05, 25, 45 = Gewindebolzen 4-40 UNC	OBSOLETE	// stud bolt screwlock 4-40UNC	OBSOLETE
06, 26, 46 = Stopbolzen M3	OBSOLETE	// thread selflocking M3	OBSOLETE
07, 27, 47 = Stopbolzen 4-40 UNC	OBSOLETE	// thread selflocking 4-40UNC	OBSOLETE
08, 28, 48 = Massepreßbolzen M3	OBSOLETE	// thread M3 and grounding socket	OBSOLETE
09, 29, 49 = Massepreßbolzen 4-40 UNC	OBSOLETE	// thread 4-40UNC and grounding socket	OBSOLETE
10, 30, 50 = Gewindebolzen mit Clip M3	OBSOLETE	// stud bolt screwlock M3 and grounding socket	OBSOLETE
11, 31, 51 = Gewindebolzen mit Clip 4-40 UNC	OBSOLETE	// stud bolt screwlock 4-40UNC and grounding socket	OBSOLETE
14, 34, 54 = Massepreßbolzen + Gewindebolzen M3 (massiv)	OBSOLETE	// solid grounding stud bolt screwlock M3	OBSOLETE
15, 35, 55 = Massepreßbolzen + Gewindebolzen 4-40 UNC (massiv)	OBSOLETE	// solid grounding stud bolt screwlock 4-40UNC	OBSOLETE

POLZAHL // NO. OF CONTACTS

09 = 9-polig	// 9-contact
15 = 15-polig	// 15-contact
25 = 25-polig	// 25-contact
37 = 37-polig	// 37-contact

KONTAKTOBERFLÄCHE / ANFORDERUNGSSTUFE // CONTACT SURFACE / PERFORMANCE LEVEL

1 = Au (1,25 µm)	/ Güte I	// Au (1,25 µm)	/ PL I
2 = Au or Au FLASH OVER PdNi	/ Güte II	// Au or Au FLASH OVER PdNi	/ PL II

STECKERART // CONNECTOR TYPE
B = Buchsenleiste // female connector

THIS INFORMATION IS CONFIDENTIAL AND PROPRIETARY TO TYCO ELECTRONICS CORPORATION AND ITS WORLDWIDE SUBSIDIARIES AND AFFILIATES. IT MAY NOT BE DISCLOSED TO ANYONE, OTHER THAN TYCO ELECTRONICS PERSONNEL, WITHOUT WRITTEN AUTHORIZATION FROM TYCO ELECTRONICS CORPORATION, HARRISBURG PENNSYLVANIA USA.

*) in Vorbereitung
*) in preparation



tyco TYCO ELECTRONICS CORPORATION		SCALE		WEIGHT	
OOSTKAMP - BELGIUM		DIMENSIONS IN MM		MATERIAL	
LOC		DATE 08.10.92		PART NAME	
GW		NAME Debrauwere		D-Sub press-in female connector	
SEE SHEET 1		APP. CI PD		Sub-D Einpreß Buchsenleiste	
B	EH01-0069-04	16 Jan 04	JvdH	PART NO.	
A3	SR10-0125-01	23 mar 01	KV	V23529-E1***-B***-27	
A2	0J80 0125 00	15 nov 00	KV	SHT. 8+	
A1	0J80 0012 00	24.05.00	KV	TOLERANCE UNLESS SPECIFIED OTHERWISE	
A	W0 007001	28.04.00	VS	Customer Drawing Nr. C 1393731-9	
REV.	CHANGE ORDER	DATE	APP.	OF 9	

PROPRIETARY: THIS INFORMATION IS CONFIDENTIAL AND PROPRIETARY TO TYCO ELECTRONICS CORPORATION AND ITS WORLDWIDE SUBSIDIARIES AND AFFILIATES. IT MAY NOT BE DISCLOSED TO ANYONE, OTHER THAN TYCO ELECTRONICS PERSONNEL, WITHOUT WRITTEN AUTHORIZATION FROM TYCO ELECTRONICS CORPORATION, HARRISBURG PENNSYLVANIA USA

Active part numbers. Contact Tyco Electronics for other configuration availability

Old Part Number	Tyco Part Number	superseded	
V23529-E1101-B209	1393731-9	OBSOLETE	
V23529-E1101-B215	1-1393731-0	OBSOLETE	
V23529-E1101-B225	1-1393731-1	OBSOLETE	
V23529-E1101-B237	1-1393731-2		
V23529-E1102-B209	2-1393731-0	OBSOLETE	
V23529-E1102-B215	2-1393731-1	1-1392010-7	
V23529-E1102-B225	2-1393731-2	1-1392010-8	
V23529-E1102-B237	2-1393731-3	OBSOLETE	
V23529-E1103-B209	3-1393731-0		
V23529-E1104-B209	3-1393731-7	OBSOLETE	
V23529-E1105-B115	4-1393731-6	OBSOLETE	
V23529-E1105-B209	4-1393731-7		
V23529-E1105-B215	4-1393731-8		
V23529-E1105-B225	4-1393731-9		
V23529-E1105-B237	5-1393731-0		
V23529-E1108-B109	5-1393731-5		
V23529-E1108-B115	5-1393731-6		
V23529-E1108-B125	5-1393731-7		
V23529-E1108-B137	5-1393731-8		
V23529-E1108-B209	5-1393731-9		
V23529-E1108-B215	6-1393731-0	OBSOLETE	
V23529-E1108-B225	6-1393731-1	OBSOLETE	
V23529-E1108-B237	6-1393731-2	OBSOLETE	
V23529-E1111-B209	7-1393731-2	OBSOLETE	
V23529-E1111-B215	7-1393731-3		
V23529-E1115-B209	7-1393731-8		
V23529-E1115-B215	7-1393731-9		
V23529-E1115-B225	8-1393731-0		
V23529-E1115-B237	8-1393731-1		
V23529-E1501-B209	1393732-1		OBSOLETE
V23529-E1501-B215	1393732-2		
V23529-E1501-B225	1393732-3		
V23529-E1501-B237	1393732-4		
V23529-E1502-B215	1393732-9		
V23529-E1502-B225	1392010-6		
V23529-E1503-B115	1-1393732-0		
V23529-E1503-B209	1-1393732-1		
V23529-E1503-B215	1-1393732-2	OBSOLETE	
V23529-E1503-B225	1-1393732-3	OBSOLETE	
V23529-E1503-B237	1-1393732-4	OBSOLETE	
V23529-E1505-B109	2-1393732-0		
V23529-E1505-B115	2-1393732-1	OBSOLETE	
V23529-E1505-B209	2-1393732-3	OBSOLETE	
V23529-E1505-B215	2-1393732-4	OBSOLETE	
V23529-E1505-B225	2-1393732-5	OBSOLETE	

△ OBSOLETE PARTS: OBSOLETE CIS STREAMLINING PER D.RENAUD/D.SINISI
 △ SUPERCEDED

APPLICABLE SPEC.:				FINISH		
 TYCO ELECTRONICS CORPORATION OOSTKAMP - BELGIUM				DIMENSIONS APPLY		PLATING
				SCALE		WEIGHT
				MATERIAL		
DATE 08.10.92 NAME Debrouwere DEP. CI PD				NAME D-Sub press-in female connector		
SEE SHEET 1 B EH01-0069-04 16 Jan 04 JvdH A3 SR10-0125-01 23 mar 01 KV A2 0U60 0125 00 15 nov 00 KV A1 0U60 0012 00 24.05.00 KV A WO 00/7001 28.04.00 VS				Sub-D Einpreß Buchsenleiste		
TOLERANCE UNLESS SPECIFIED OTHERWISE REV. CHANGE ORDER DATE APP. Customer Drawing Nr. C 1393731-9				DWG NO. V23529-E1***-B***-* -27		
				SHT. 9- OF 9		