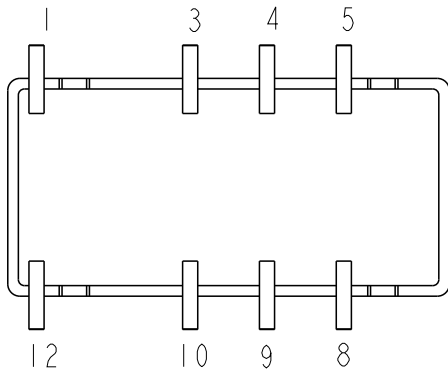
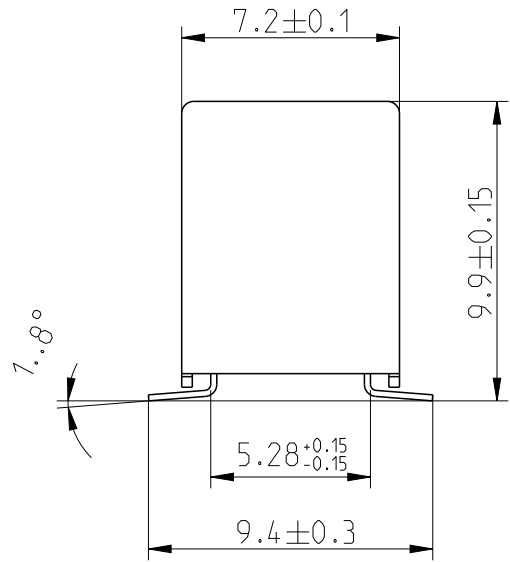
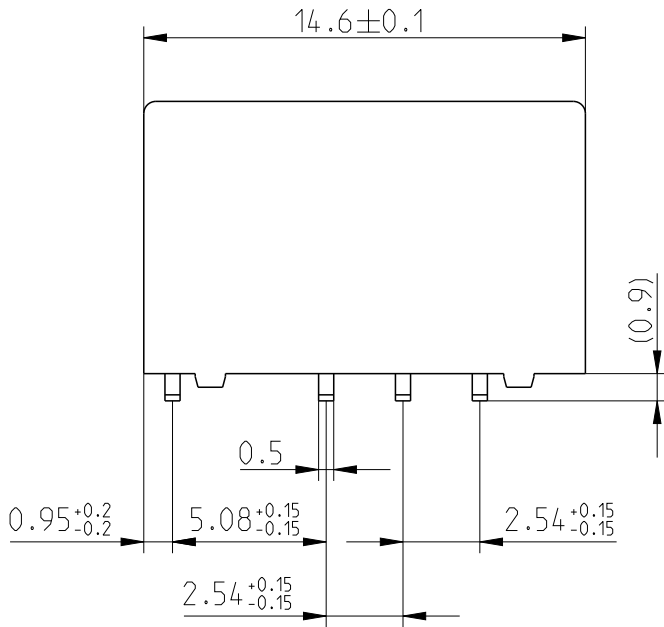


LOC	DIST	REVISIONS					
HJ	-	P	LTR	DESCRIPTION	DATE	DWN	APVD
		C4	ECR-18-011238		6.8.2018	VG	PH



Relay - bottom view



xx = Relay type
YYWWD = Date code

DRAWING ALIAS C23303-A079-A004

2006

RELEASED FOR PUBLICATION

ALL RIGHTS RESERVED.

THIS DRAWING IS UNPUBLISHED.

© COPYRIGHT 2006

DIMENSIONS: mm	DWN Jan Kadlec	25-Oct-16	MATERIAL	-	FINISH	-
	CHK Robert Kaspar	25-Oct-16	TE Connectivity			
TOLERANCES UNLESS OTHERWISE SPECIFIED: DIN 7168-m	APVD Petr Hofman	25-Oct-16				
	0 PLC ±-	1 PLC ±	2 PLC ±	3 PLC ±	4 PLC ±	ANGLES ±-
PRODUCT SPEC			RESTRICTED TO			
APPLICATION SPEC			-			
WEIGHT			SIZE A4	CAGE CODE 00779	DRAWING NO C-1393789-4	RESTRICTED TO -
CUSTOMER DRAWING			SCALE 4:1	SHEET 1	OF 1	REV C4