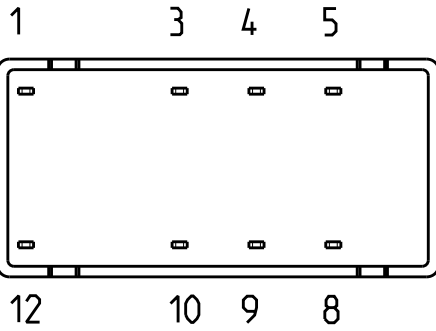
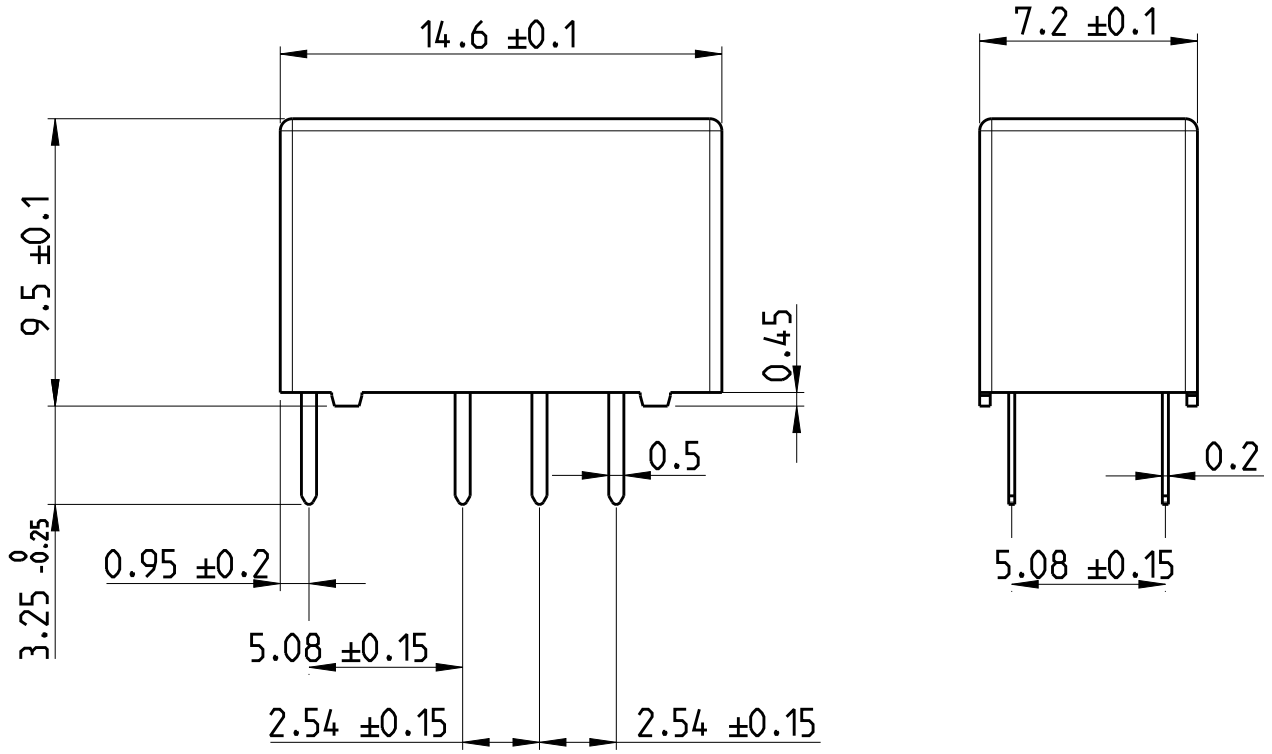


REVISIONS

P	LTR	DESCRIPTION	DATE	DWN	APVD



Relay - bottom view




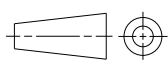
xx = relay type
YYWW = date code

RELEASED FOR PUBLICATION

ALL RIGHTS RESERVED.

THIS DRAWING IS UNPUBLISHED.

© COPYRIGHT copyright_date BY -

DIMENSIONS: mm		DWN Grbac	25-Jan-18	MATERIAL -	FINISH -
TOLERANCES UNLESS OTHERWISE SPECIFIED:		CHK Kaspar	-	 TE Connectivity	
0 PLC ±		APVD Hofman	-		
1 PLC ±0.1		PRODUCT SPEC	-	NAME P2-Relay THT LED	
2 PLC ±0.01		APPLICATION SPEC	-	SIZE A 4	CAGE CODE 00779
3 PLC ±0.005		WEIGHT	-	DRAWING NO C-1393790-2	RESTRICTED TO -
4 PLC ±0.0001		CUSTOMER DRAWING			
ANGLES ±		SCALE 4:1		SHEET 1 OF 1	
		REV A1			