

LOC	DIST	REV	DATE	BY	APPD
GP	00				
		01	11MAR2003	LS	JJC
		02	02AUG2004	RT	JJC
		03	26AUG2004	LS	JJC
		A	14MAR2006	BC	GG

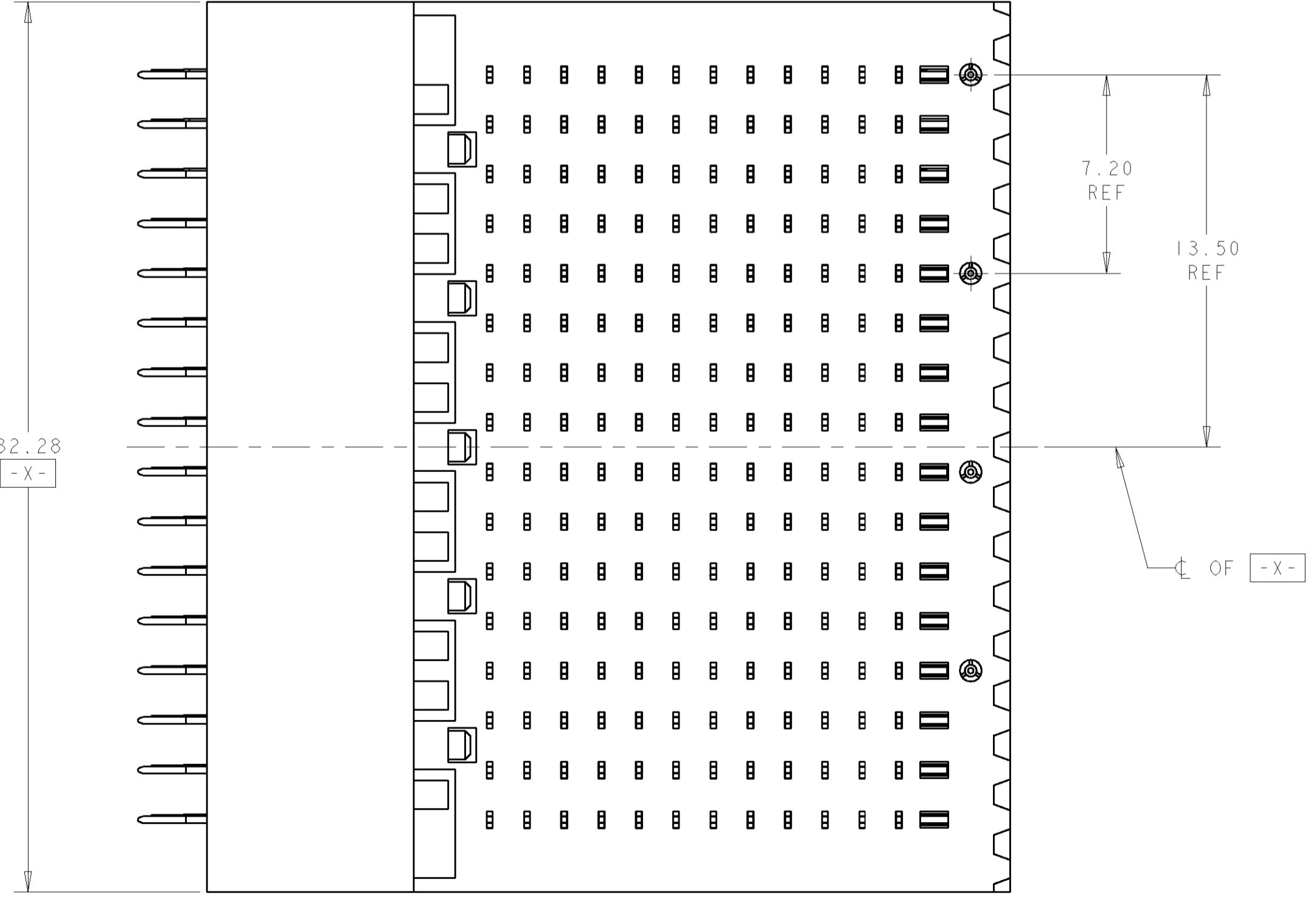
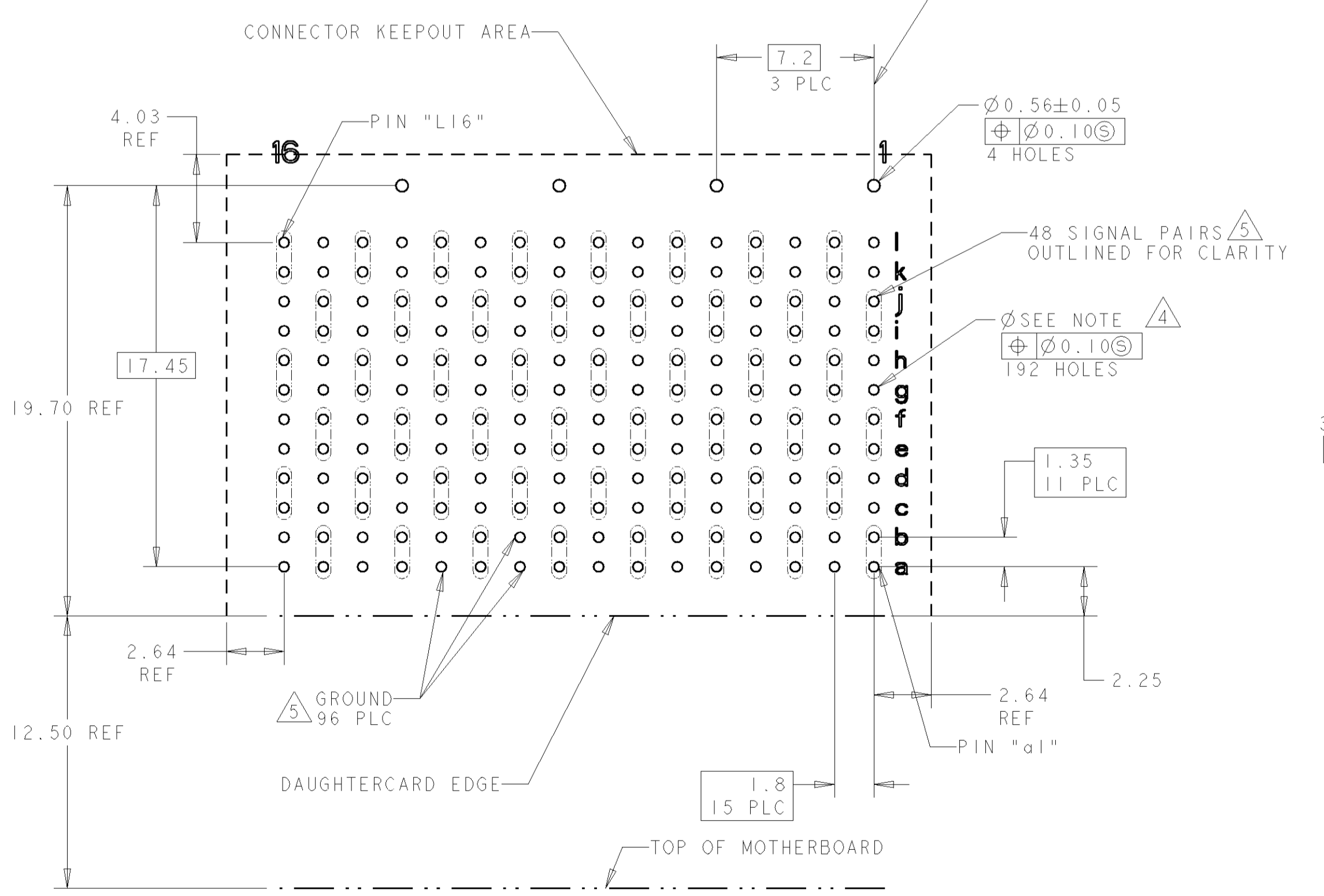
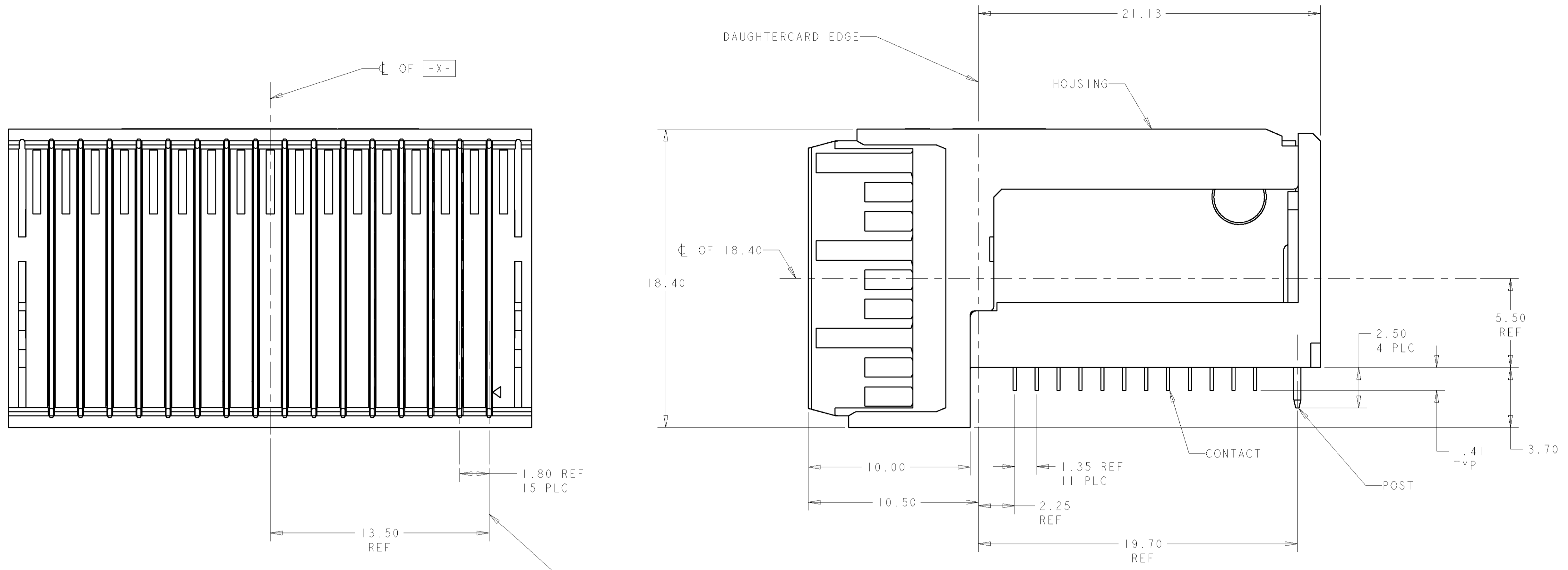
- 1 HOUSING: LCP, UL94V0, COLOR: BLACK.
CONTACT: PHOSPHOR BRONZE.
POST: BRASS WIRE
- 2 CONTACT: 1.27µm MIN. TIN-LEAD ON PCB TAIL
OVER 1.27µm MIN. NICKEL OVER ALL.
POST 1.27µm MIN NICKEL PLATED.
- 3 CONTACT: 1.27µm MIN. TIN ON PCB TAIL
OVER 1.27µm MIN. NICKEL OVER ALL.
POST 1.27µm MIN NICKEL PLATED.
- 4 MANUFACTURING TOLERANCE FOR:
Ø0.46±0.05 FINISHED HOLE WITH Sn PB PLATING:
DRILLED HOLE = Ø0.55±0.02
COPPER PLATING = 0.025-0.050
Sn PB PLATING = 0.0038-0.0124
OR
Ø0.475±0.050 FINISHED HOLE WITHOUT Sn PB PLATING:
DRILLED HOLE = Ø0.55±0.02
COPPER PLATING = 0.025-0.050
- 5 SEE TABLE 1 FOR INTERCONNECTIONS TO
BACKPLANE CONNECTOR.

TABLE 1
INTERCONNECTIONS WITH BACKPLANE CONNECTOR 1410133

TYPICAL INTERCONNECTIONS FOR EACH EVEN-NUMBERED COLUMN (WAFER): 2, 4, 6, 8, 10, 12, 14, 16		
CONTACT USAGE	DAUGHTERCARD CONNECTOR PIN	BACKPLANE CONNECTOR PIN
SIGNAL PAIR	c x	b x
	d x	c x
SIGNAL PAIR	g x	e x
	h x	f x
SIGNAL PAIR	k x	h x
	l x	i x
GROUPS	ax, bx, ex, fx, ix, jx (ALL COMMONED)	ax, dx, gx

TYPICAL INTERCONNECTIONS FOR EACH ODD-NUMBERED COLUMN (WAFER): 1, 3, 5, 7, 9, 11, 13, 15		
CONTACT USAGE	DAUGHTERCARD CONNECTOR PIN	BACKPLANE CONNECTOR PIN
SIGNAL PAIR	ax	ax
	bx	bx
SIGNAL PAIR	ex	dx
	fx	ex
SIGNAL PAIR	ix	gx
	jx	hx
GROUPS	cx, dx, gx, hx, kx, lx (ALL COMMONED)	cx, fx, ix

NOTE: "x" DESIGNATES THE COLUMN NUMBER



PC BOARD LAYOUT
(CONNECTOR SIDE)
SCALE 5:1

DIMENSIONS: mm 		TOLERANCES UNLESS OTHERWISE SPECIFIED: 0 PLC ± 1 PLC ±0.5 2 PLC ±0.13 3 PLC ± 4 PLC ± ANGLES ±1°		DWN: T1MAR2003 CHK: T1MAR2003 APPD: J. CONSOLI S. GRIFFITH T4MAR2006		tyco Tyco Electronics Harrisburg, PA 17105-3608	
MATERIAL: SEE TABLE		FINISH: SEE TABLE		PRODUCT SPEC: 108-2072 APPLICATION SPEC: 114-13056		NAME: RIGHT ANGLE PLUG ASSEMBLY, STAND ALONE, 20.3mm, MultiSig RT2, DIFFERENTIAL, DAUGHTERCARD CONNECTOR SIZE: 00779 CAGE CODE: 1410134	
CUSTOMER DRAWING				SCALE: 6:1		SHEET: 1 OF 1 REV: A	