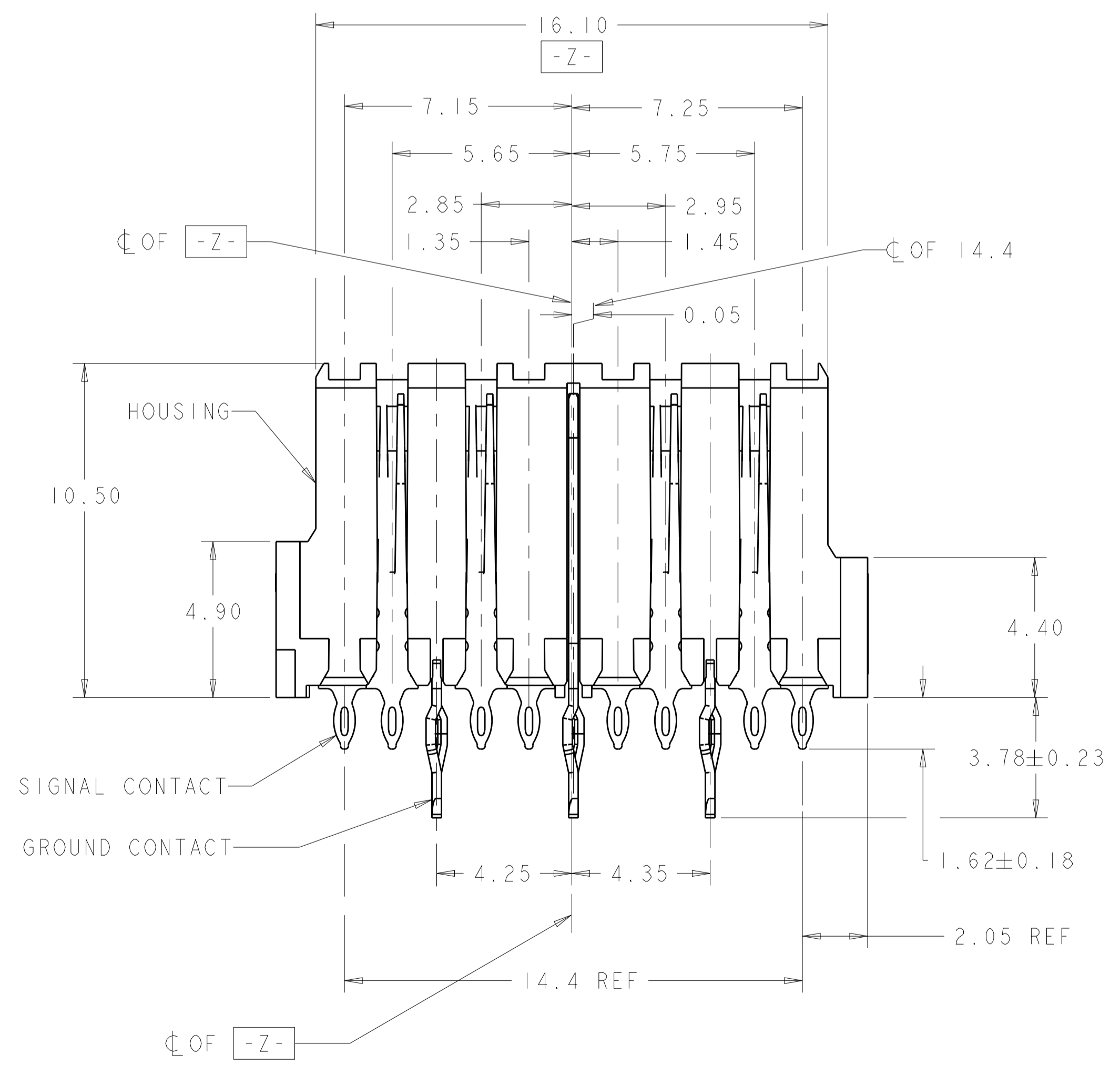
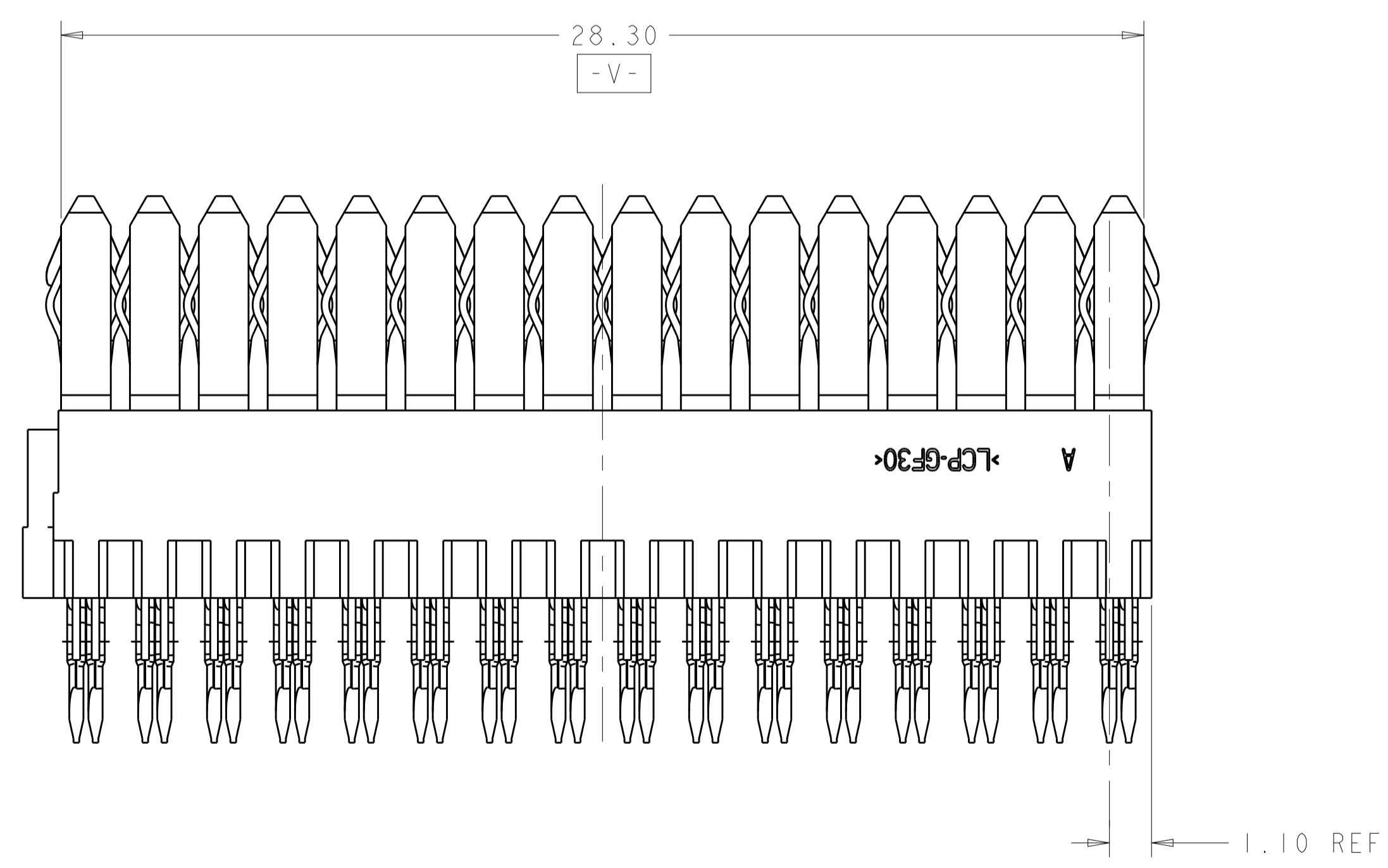
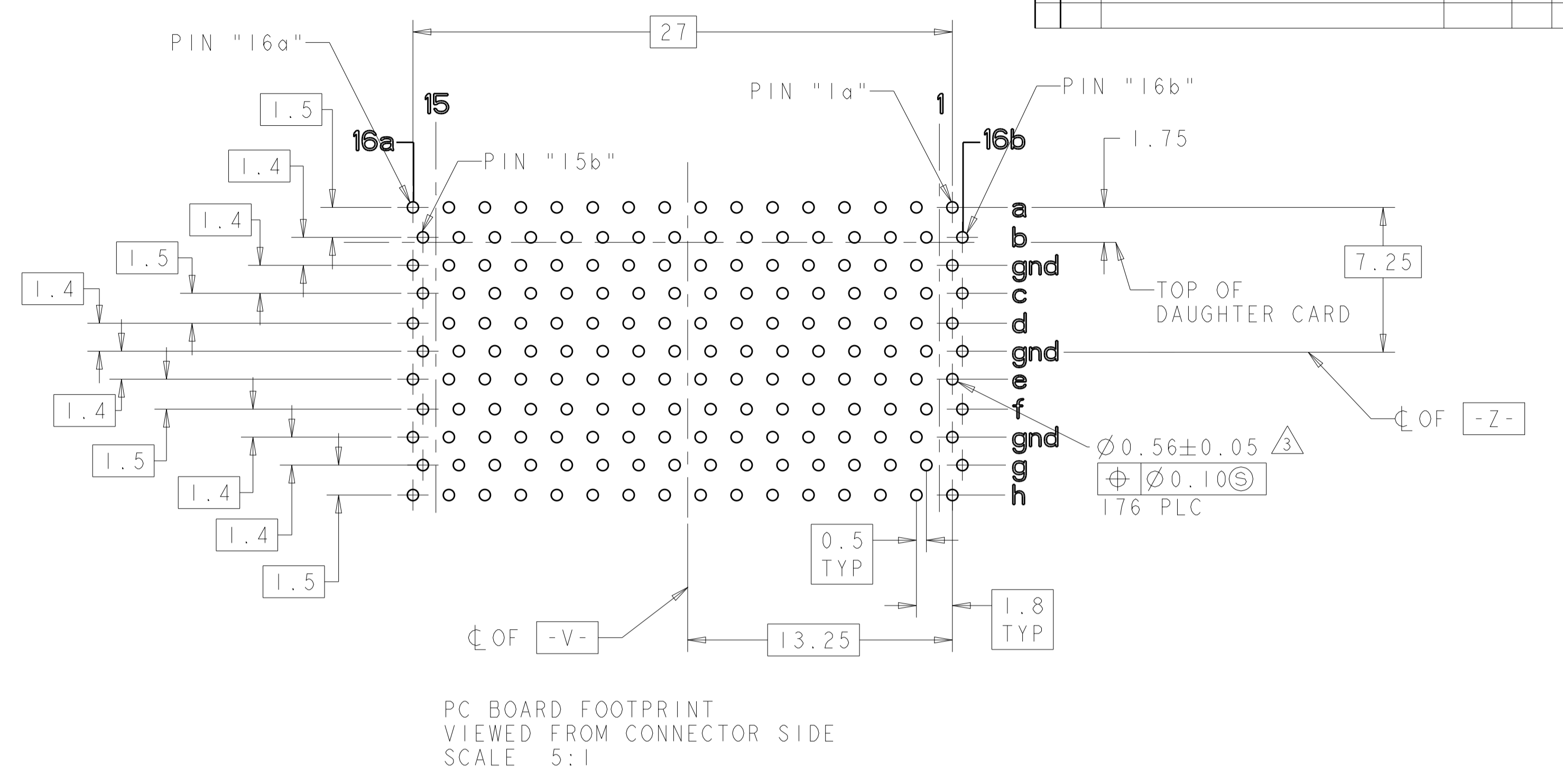
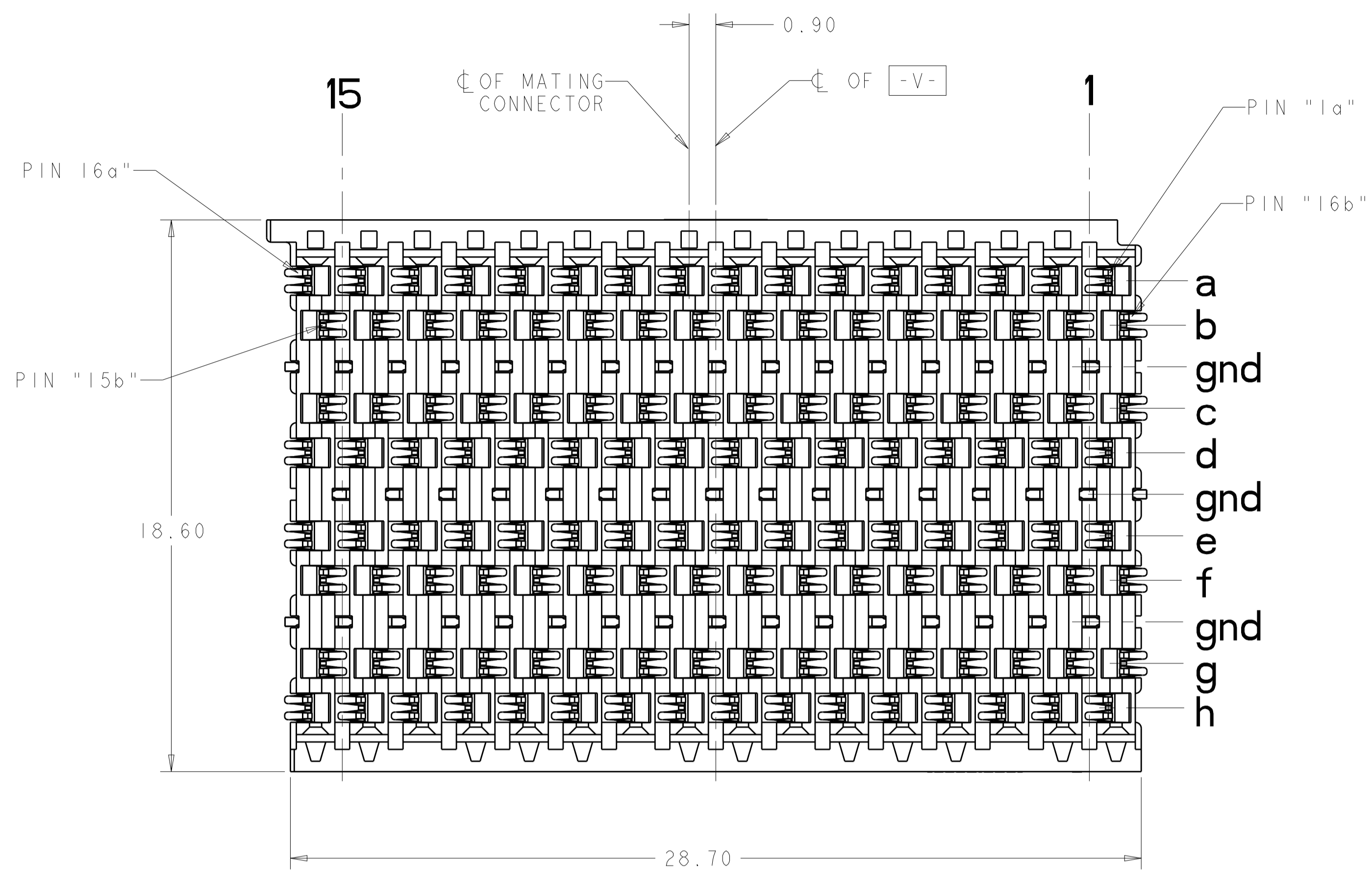


REVISIONS				
P	LTN	DESCRIPTION	DATE	APPV
D	REV PER EC	14-012106	8-7-14	CT DH



- 1 HOUSING: LCP, UL94V-0, BLACK. CONTACT: PHOSPHOR BRONZE.
- 2 1.27 μ m GOLD PER ASTM B 488 IN CONTACT AREA, 1.27 μ m MIN TIN-LEAD ON PCB TAIL, OVER 3.81 μ m MIN NICKEL PER SAE AMS-QQ-N-290 OVER ALL.
- 3 PLATE THROUGH HOLES PER TE SPEC. 114-13056, FIGURE 4.
- 4 1.27 μ m GOLD PER ASTM B 488 IN CONTACT AREA, 1.27 μ m MIN MATTE TIN PER ASTM B 545 ON PCB TAIL, OVER 3.81 μ m MIN NICKEL PER SAE AMS-QQ-N-290 OVER ALL.

4	1410200-2
2	1410200-1
CONTACT TAIL/HOLE FINISH	PART NO

THIS DRAWING IS A CONTROLLED DOCUMENT.		OWN: REESER 19OCT2001	TE Connectivity VERTICAL RECEPTACLE ASSEMBLY, CENTER, FULL, 20.3mm, MultiGig RT-1 BACKPLANE CONNECTOR
DIMENSIONS: mm		CHK: W. VAN SCYOC 19OCT2001	
TOLERANCES UNLESS OTHERWISE SPECIFIED:		APPV: D. DEBRAUGH 19OCT2001	
0 PLC ±0.5 1 PLC ±0.13 2 PLC ±0.13 3 PLC ±0.13 4 PLC ±0.13 ANGLES ±1°		PRODUCT SPEC: 108-2072 APPLICATION SPEC: 114-13056 WEIGHT: - CUSTOMER DRAWING	
MATERIAL:		SIZE: A1	RESTRICTED TO: -
FINISH:		SCALE: 8:1	SHEET 1 OF 1 REV C