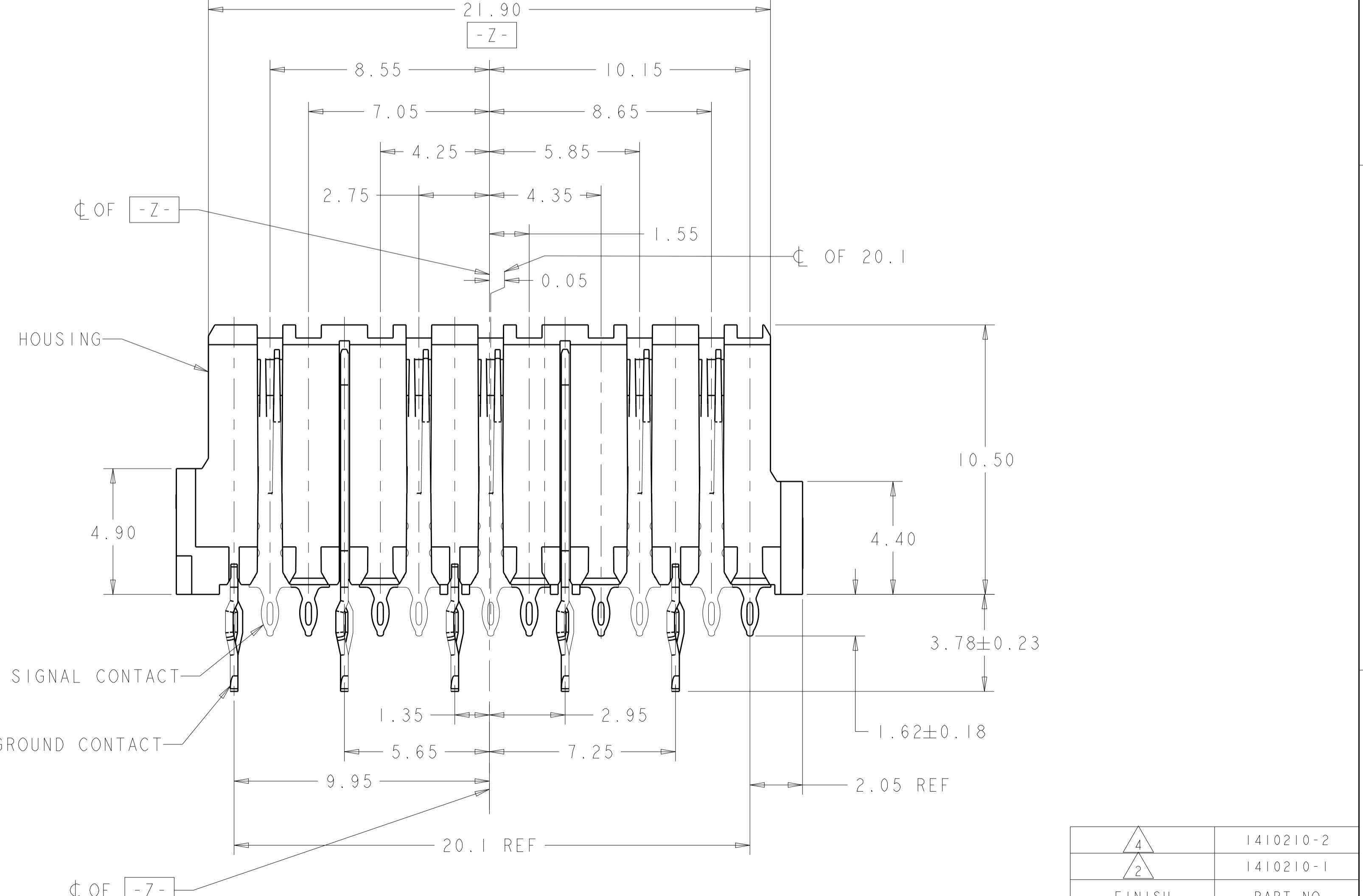
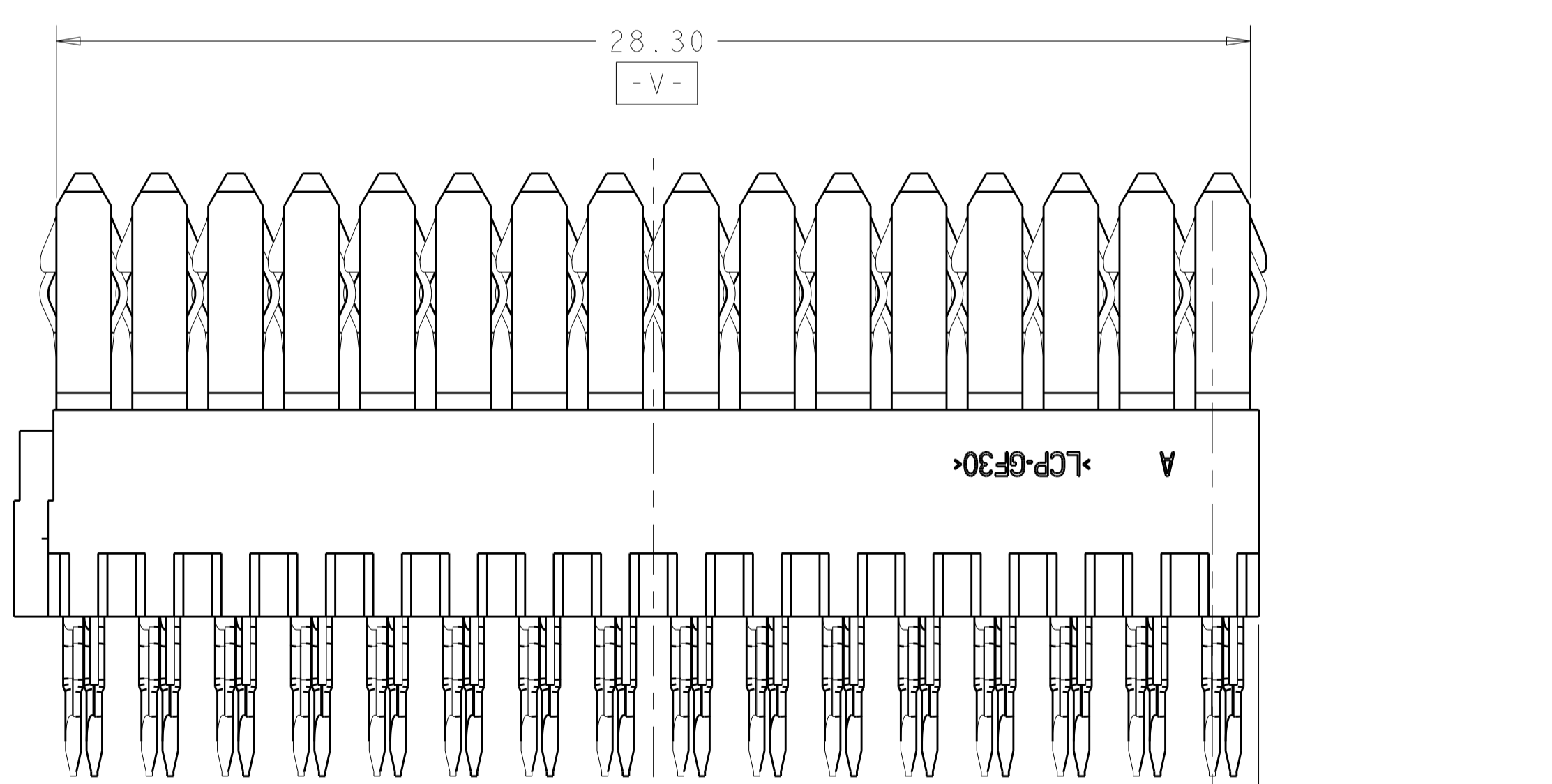
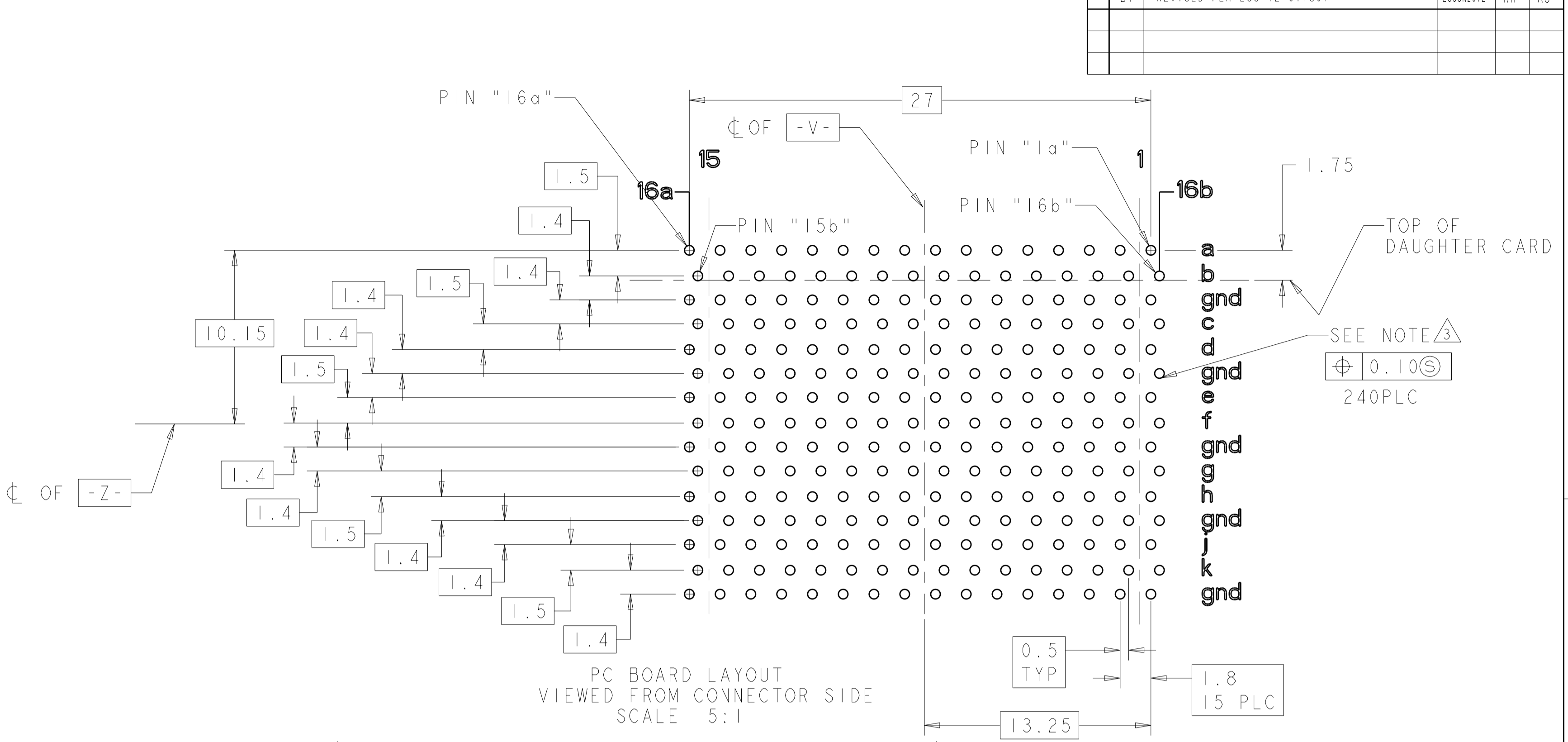
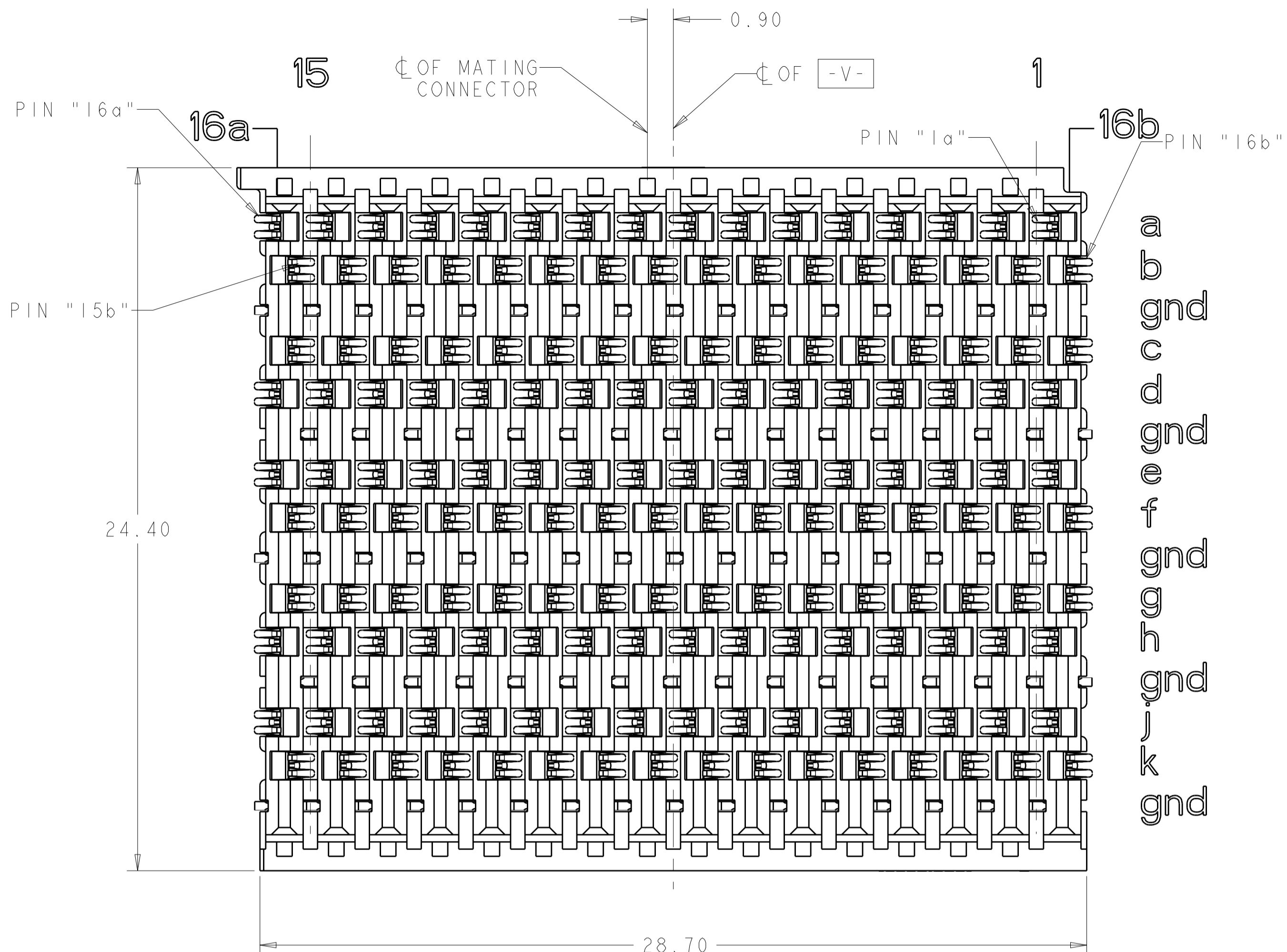


LOC	DIST	REV	DATE	BY	CHK	APPV
AD	00	B1	28JUN2012	KH	AS	



- ① HOUSING: LCP, UL94V-0, BLACK.
CONTACT: PHOSPHOR BRONZE.
- ② 1.27µm GOLD PER ASTM B 488 IN CONTACT AREA, 1.27µm MIN TIN-LEAD ON PCB TAIL, OVER 3.81µm MIN NICKEL PER SAE AMS-QQ-N-290 OVER ALL.
- ③ PLATED THROUGH HOLE PER 114-13056, FIGURE 4.
- ④ 1.27 µm GOLD PER ASTM B 488 IN CONTACT AREA, 1.27 µm MIN MATTE TIN PER ASTM B 545 ON PCB TAIL, OVER 3.81 µm MIN NICKEL PER SAE AMS-QQ-N-290 OVER ALL.

④	1410210-2
②	1410210-1
FINISH	PART NO

THIS DRAWING IS A CONTROLLED DOCUMENT.		OWN: D.E. STAHL 01JUN2000	NAME: VERTICAL RECEPTACLE ASSEMBLY, CENTER, FULL, 25.4mm, MultiGig RT-1, BACKPLANE CONNECTOR
DIMENSIONS:		CHK: S. MICKIEVICZ 01JUN2000	
TOLERANCES UNLESS OTHERWISE SPECIFIED:		APVD: S. MICKIEVICZ 01JUN2000	RESTRICTED TO
mm		PRODUCT SPEC: 108-2072	SIZE: A1
0 PLC ±0.5		APPLICATION SPEC: 114-13056	CAGE CODE: 1410210
1 PLC ±0.13		WEIGHT: -	SCALE: 8:1
3 PLC ±0.13		CUSTOMER DRAWING	SHEET 1 OF 1
4 PLC ±0.13			REV: B1
ANGLES ±0.1°			
FINISH			