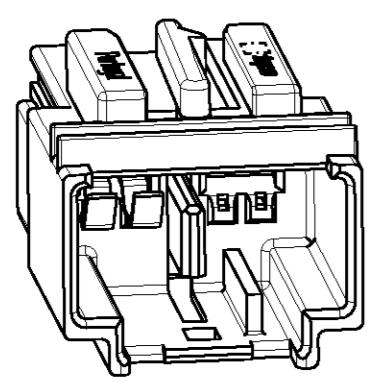
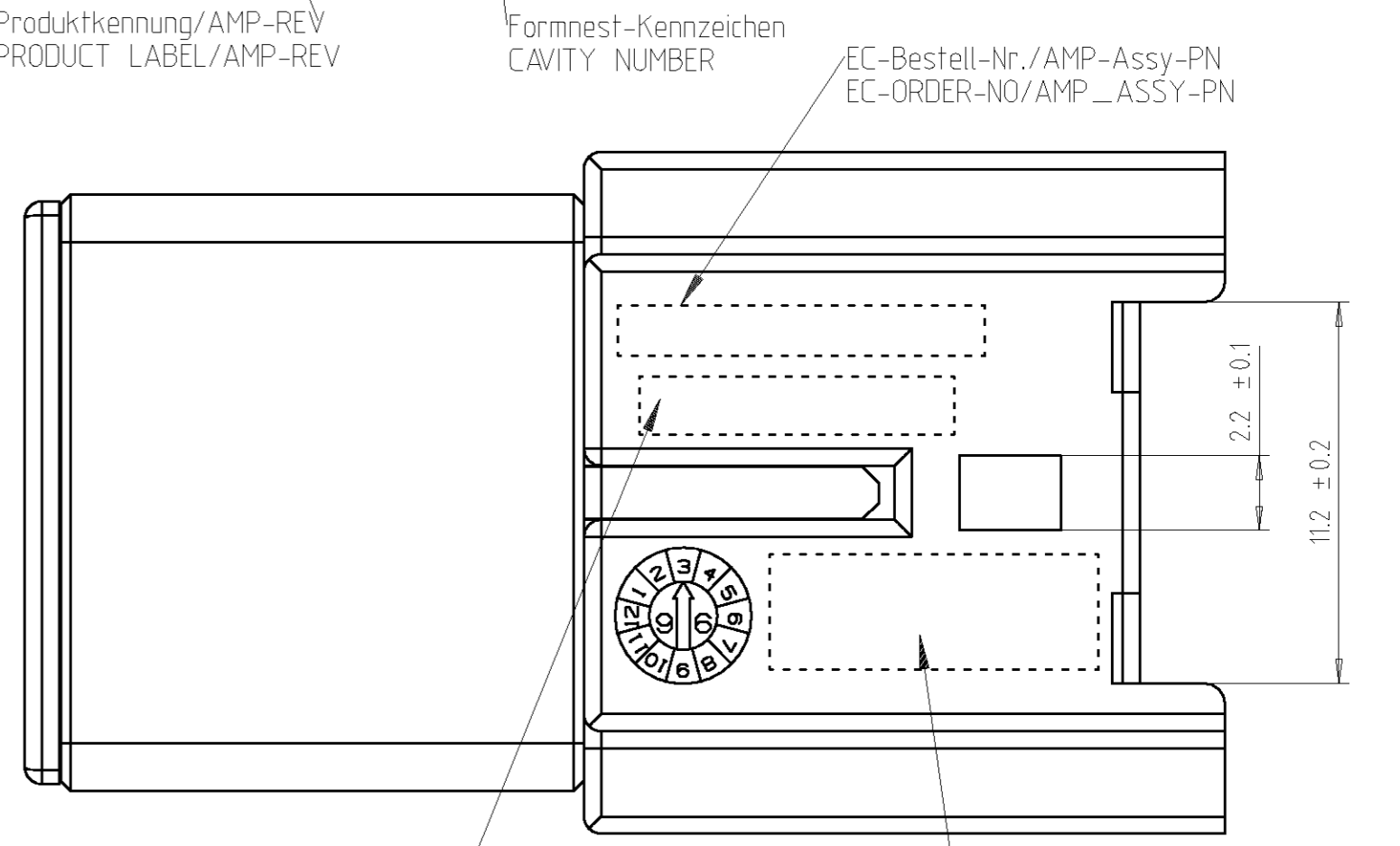
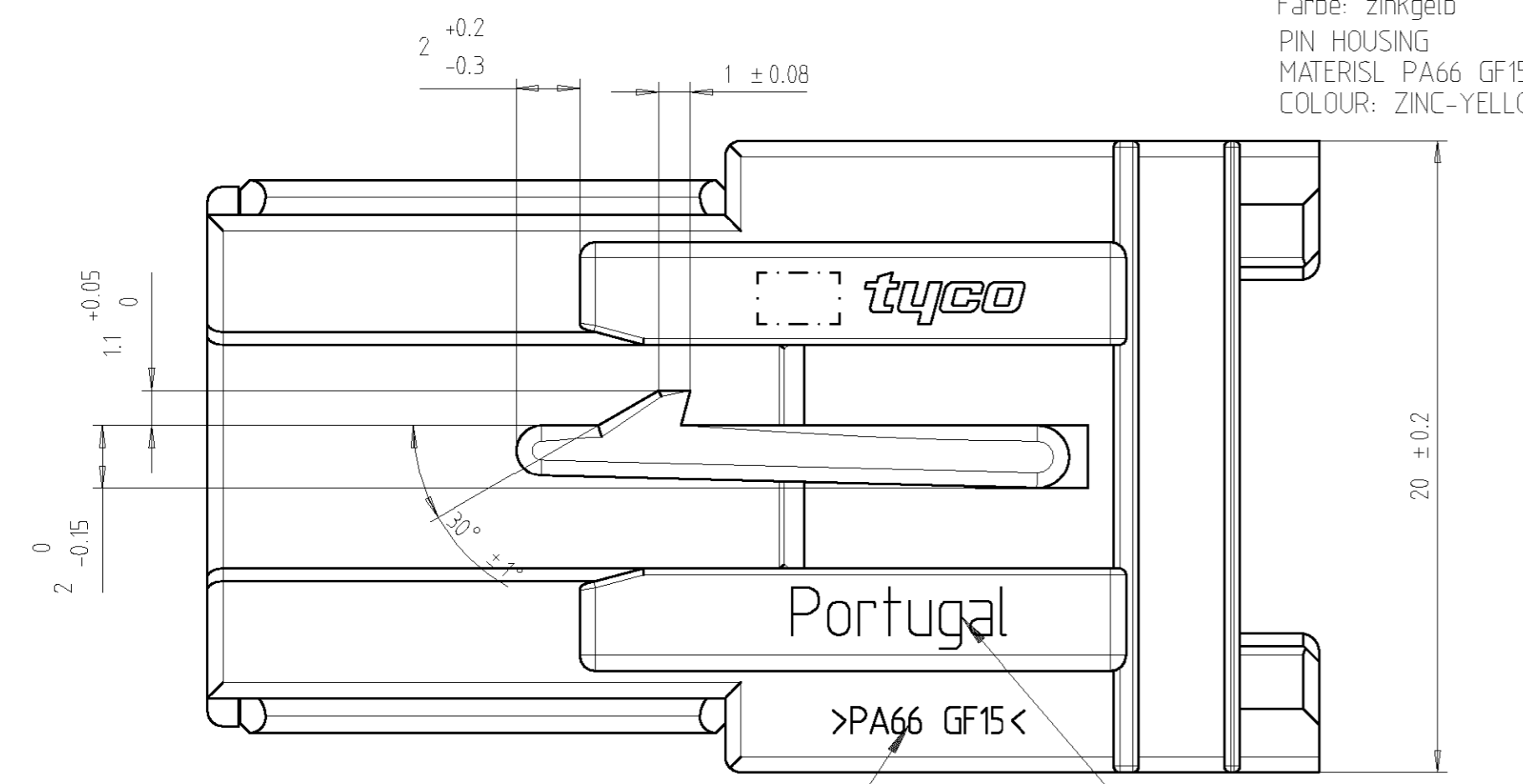
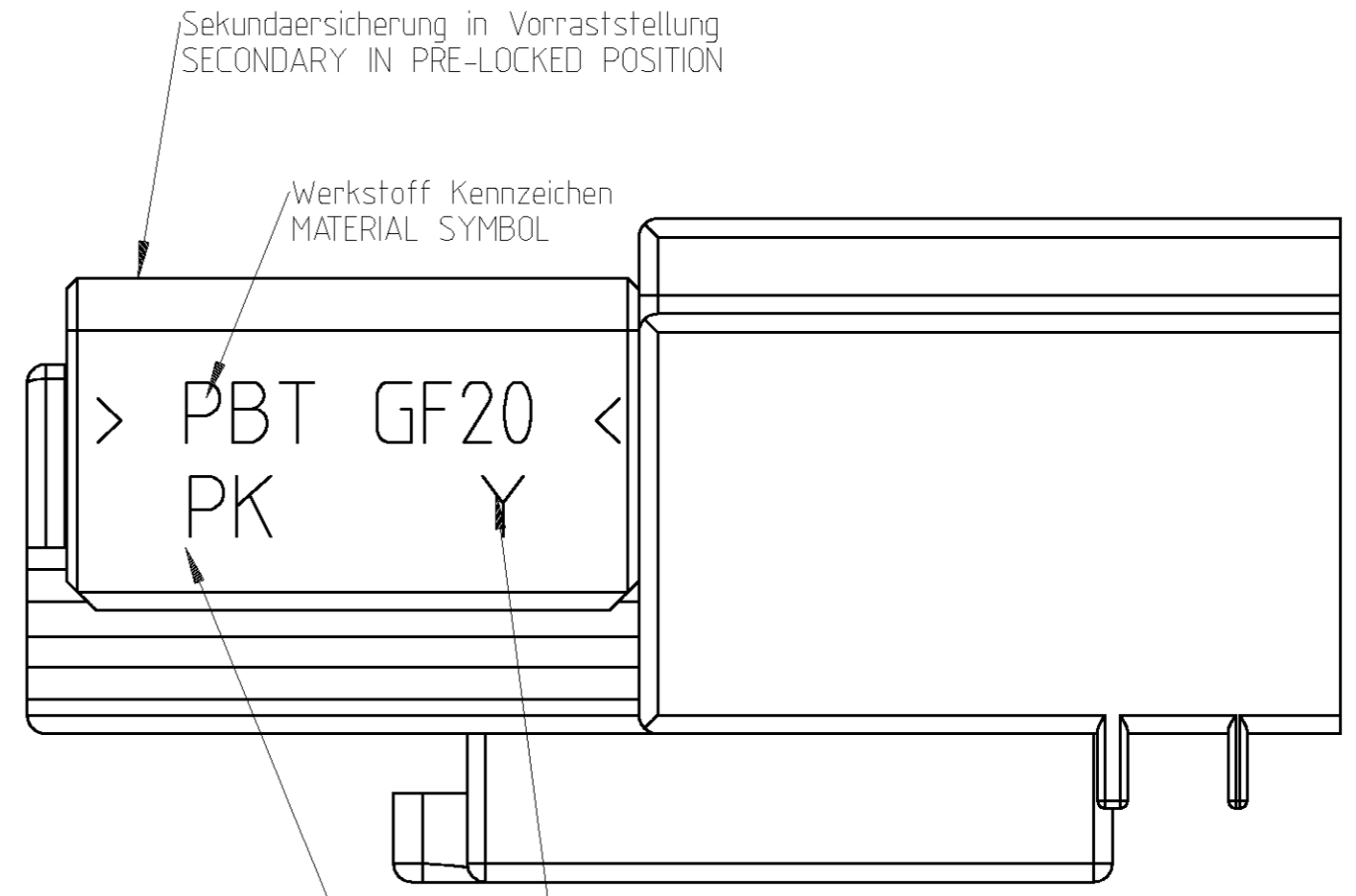
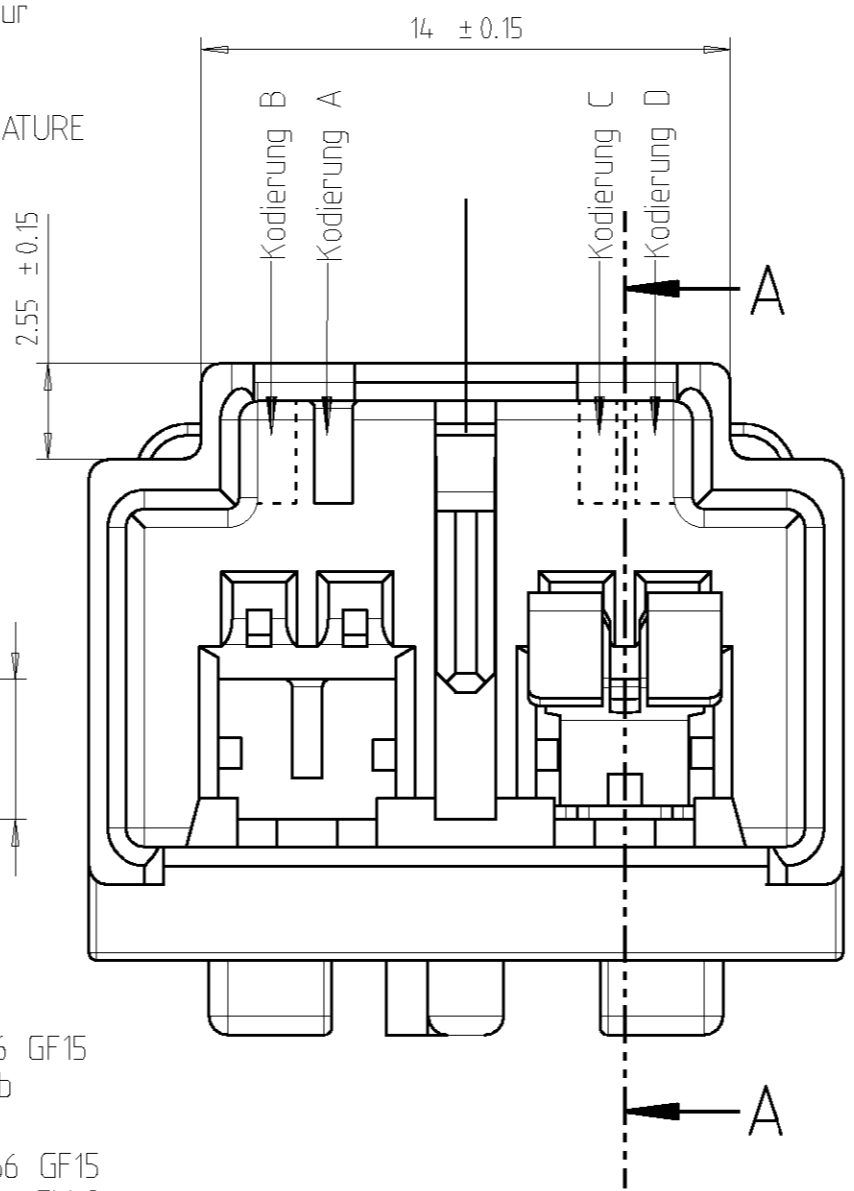
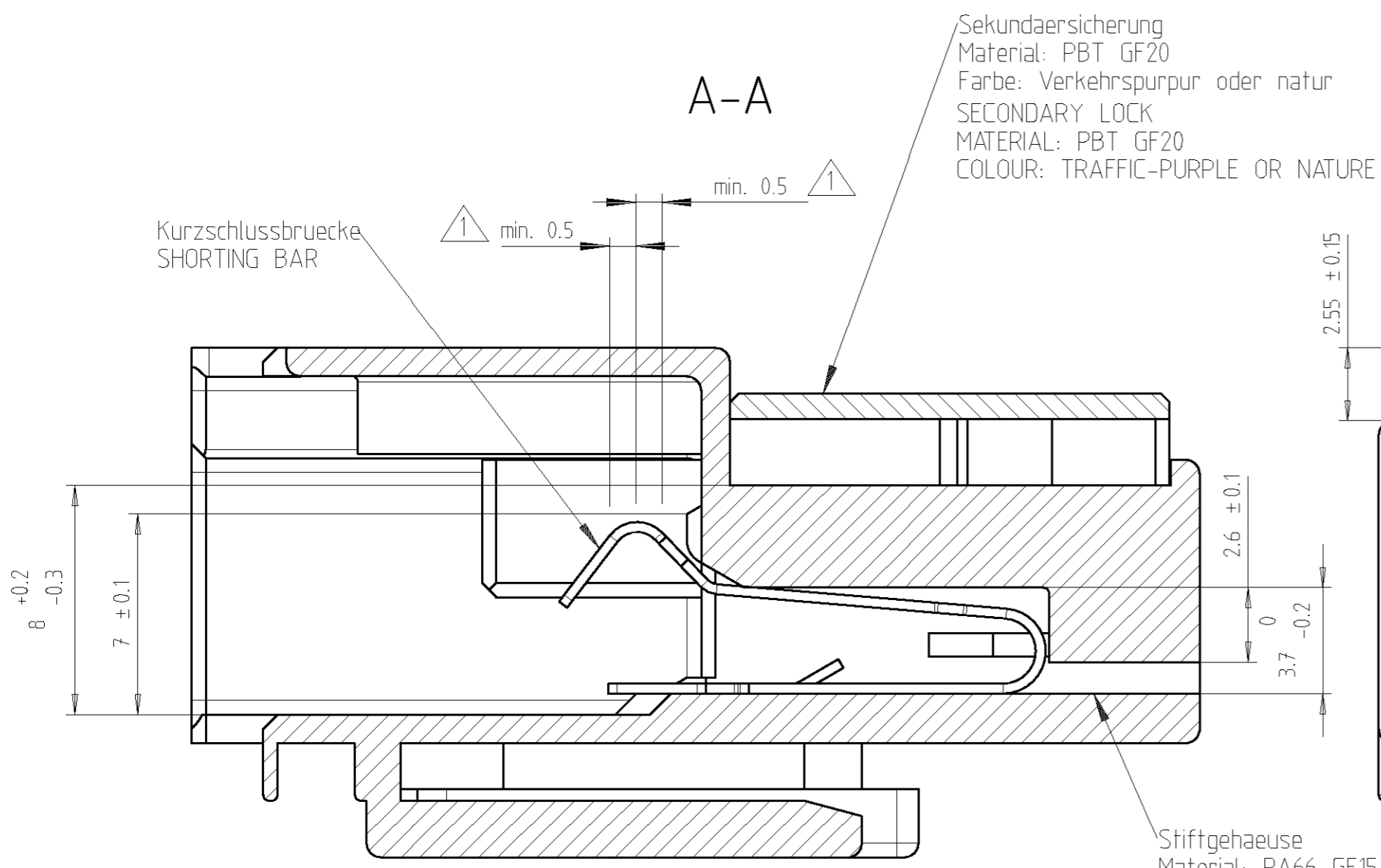


THIS DRAWING IS UNPUBLISHED. RELEASED FOR PUBLICATION 23.1.2001
 COPYRIGHT 2001 BY AMP INCORPORATED. ALL RIGHTS RESERVED.

LOC	DIST	REVISIONS			
P	LTR	DESCRIPTION	DATE	DWN	APVD
A1	EG00-0171-01		23.1.01	PS	BR
A2	EG00-1051-01		2.4.01	PS	BL
A3	EG00-1125-02		3.4.02	PS	BL
B1	EG00-2767-02		28.8.02	PS	BL

moegliche Kodierung an Stiftgehaeuse-Assy
 POSSIBLE CODINGS AT PIN HOUSING ASSY



Ansichten nur mit einer Kurzschlussbruecke dargestellt
 VIEWS DRAWN WITH ONE SHORTING BAR ONLY

△ > 1 mm Au über / OVER 2.6 mm Ni

Passende Buchsengehaeuse:
 APPOSITELY SOCKET HOUSING

0-1411067-1	---
0-1393381-3	M5304-Y10
AMP Assy-PN	V23540-EC Bestell-Nr.

0-1411067-1	B	---	-	A	2	zinkgelb/natur	seitlich/SIDEWAYS	nein/NO	nein/NO
0-1411067-2	B	---	-	A	2	zinkgelb/verkehrspurpur	mittig/CENTRIC	nein/NO	nein/NO
0-1393400-4	B	M5304-Y20	-	A	1	zinkgelb/verkehrspurpur	mittig/CENTRIC	ja/YES	ja/YES
AMP Assy-PN	AMP-REV	V23540-EC Bestell-Nr. EC ORDER NO	PK	Kodierung CODING	Anzahl der KS NUMBER OF SHORTING BARS	Farbe COLOUR	Kontaktkodierung CONTACT CODING	Kunden-CUSTOMER LOGO	Kunden-CUSTOMER NO

THIS DRAWING IS A CONTROLLED DOCUMENT FOR AMP INCORPORATED. IT IS SUBJECT TO CHANGE AND THE CONTROLLING ENGINEERING ORGANIZATION SHOULD BE CONTACTED FOR THE LATEST REVISION.

DIMENSIONS:	TOLERANCES UNLESS OTHERWISE SPECIFIED:	DWN	P. Spohr	23.1.01	tyco Electronics AMP GmbH D-64625 Bensheim	
mm	0-PLC ± 1-PLC ± 2-PLC ± 3-PLC ± 4-PLC ± ANGLES ± FINISH ±	CHK	B. Reis	23.1.01		
MATERIAL		APVD	S. Glaser	23.1.01		
		PRODUCT SPEC	NAME			
		APPLICATION SPEC	Stiftgehaeuse mit Clip 4-polig, ELO-Kupplung, Kurzschluss			
		WEIGHT	SIZE	CAGE CODE	DRAWING NO	RESTRICTED TO
		CUSTOMER DRAWING	A2	00779	1411067	
		SCALE	SHEET	OF	REV	
		5:1	1	1	B1	