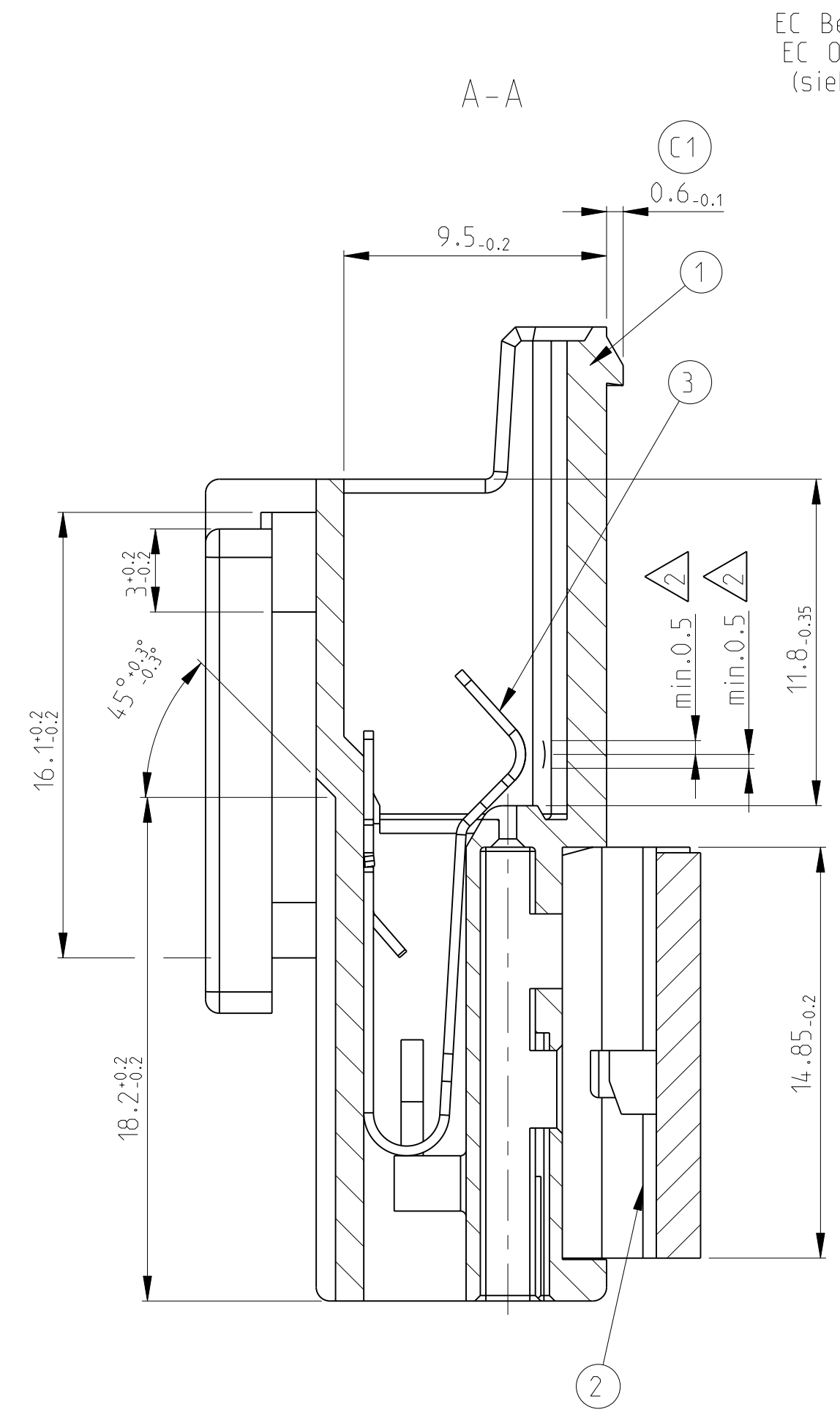
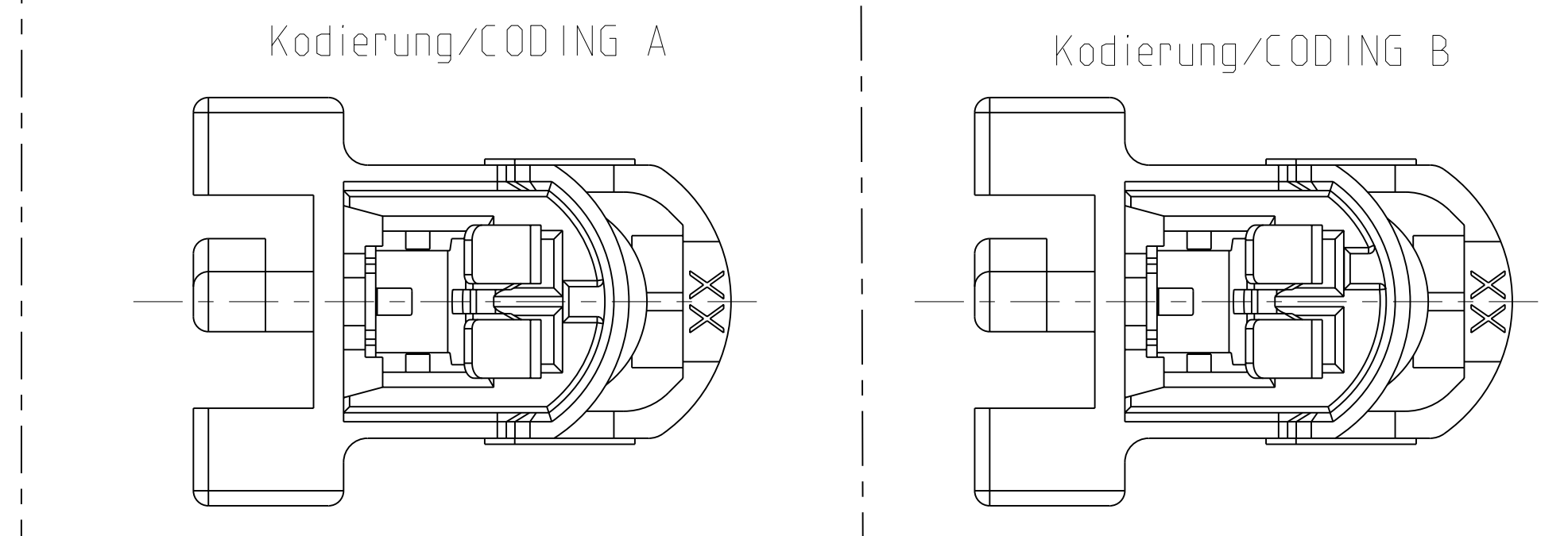
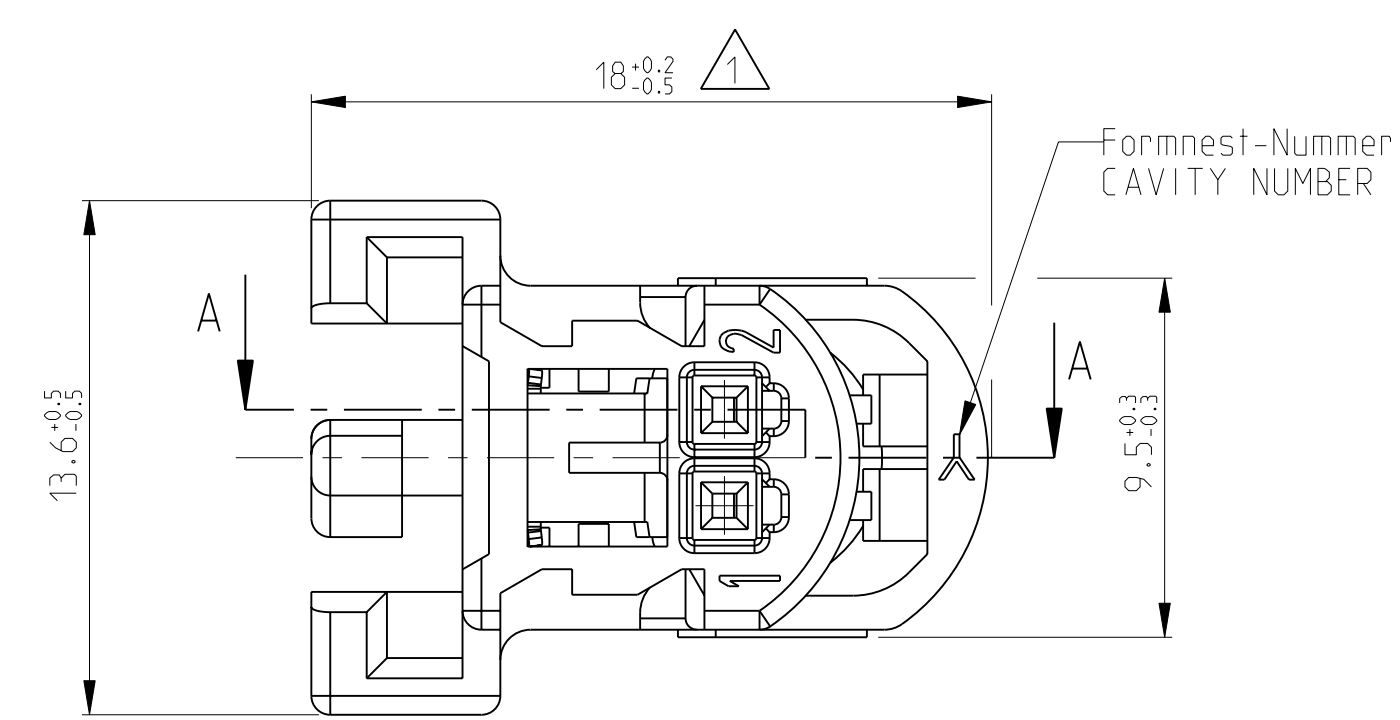


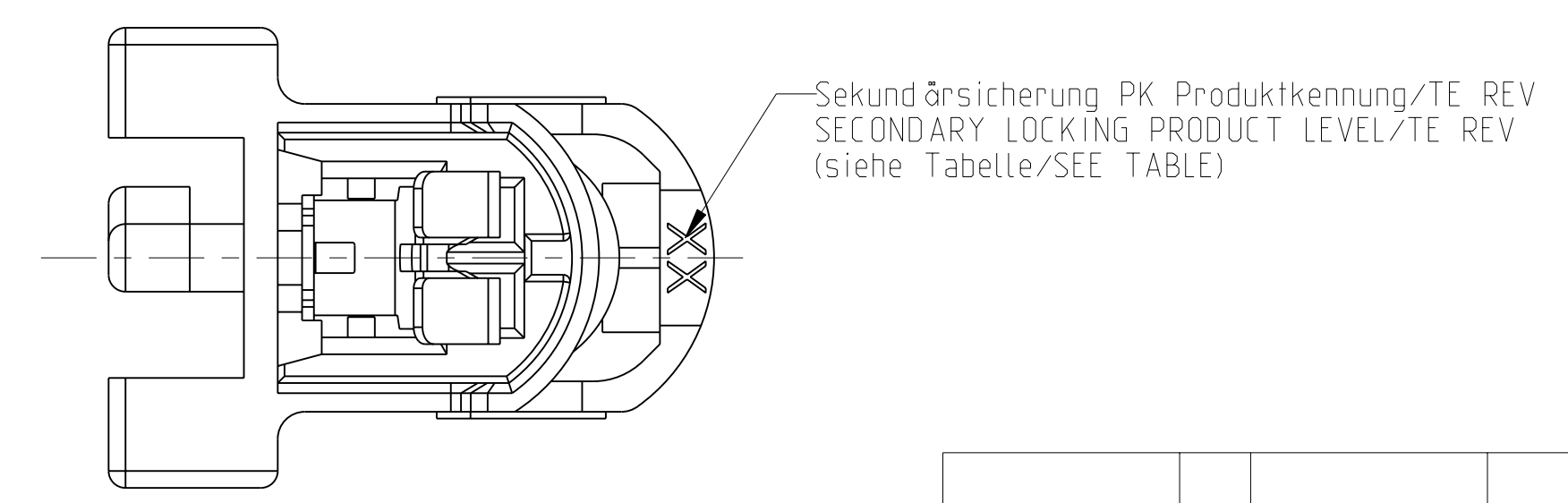
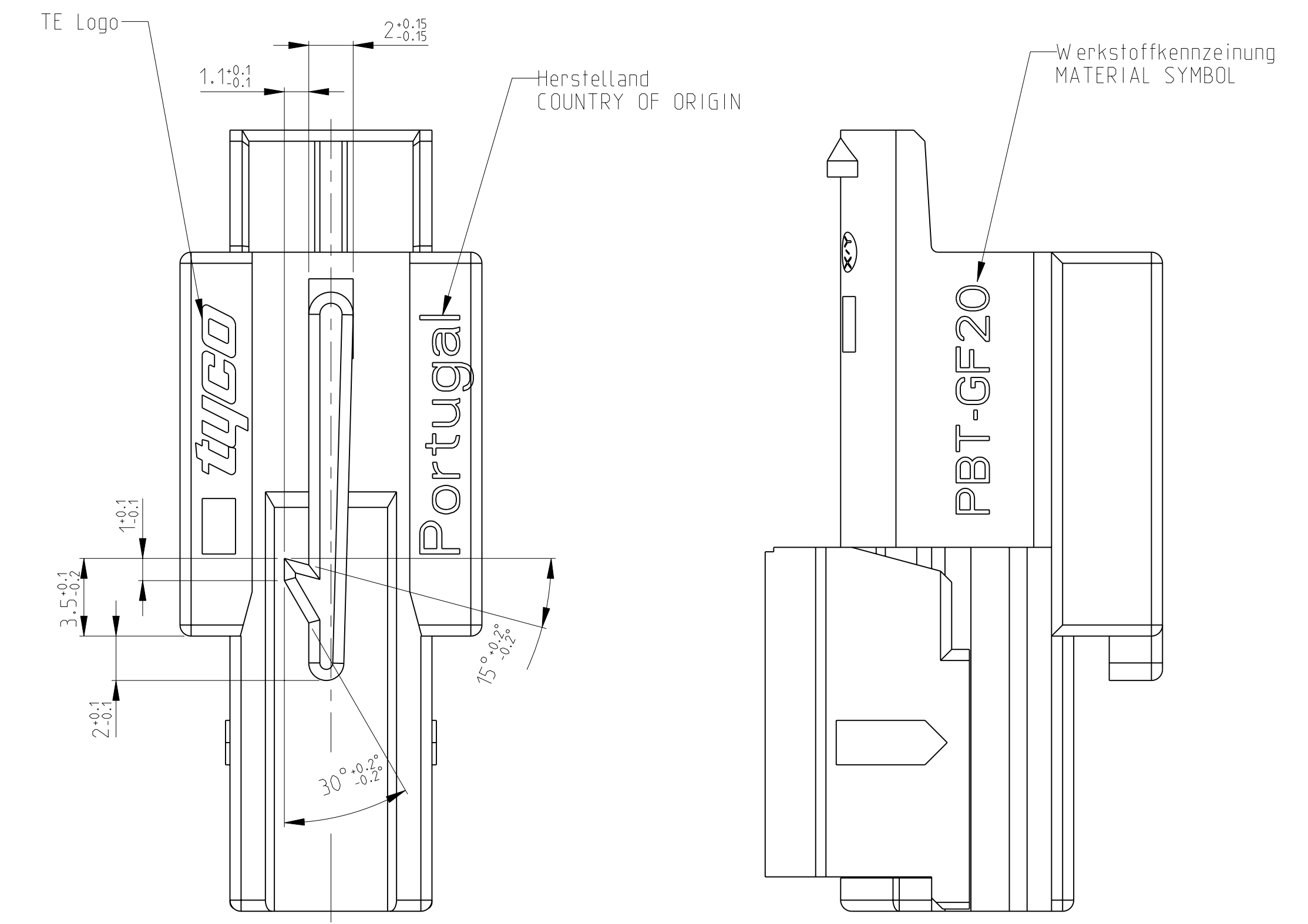
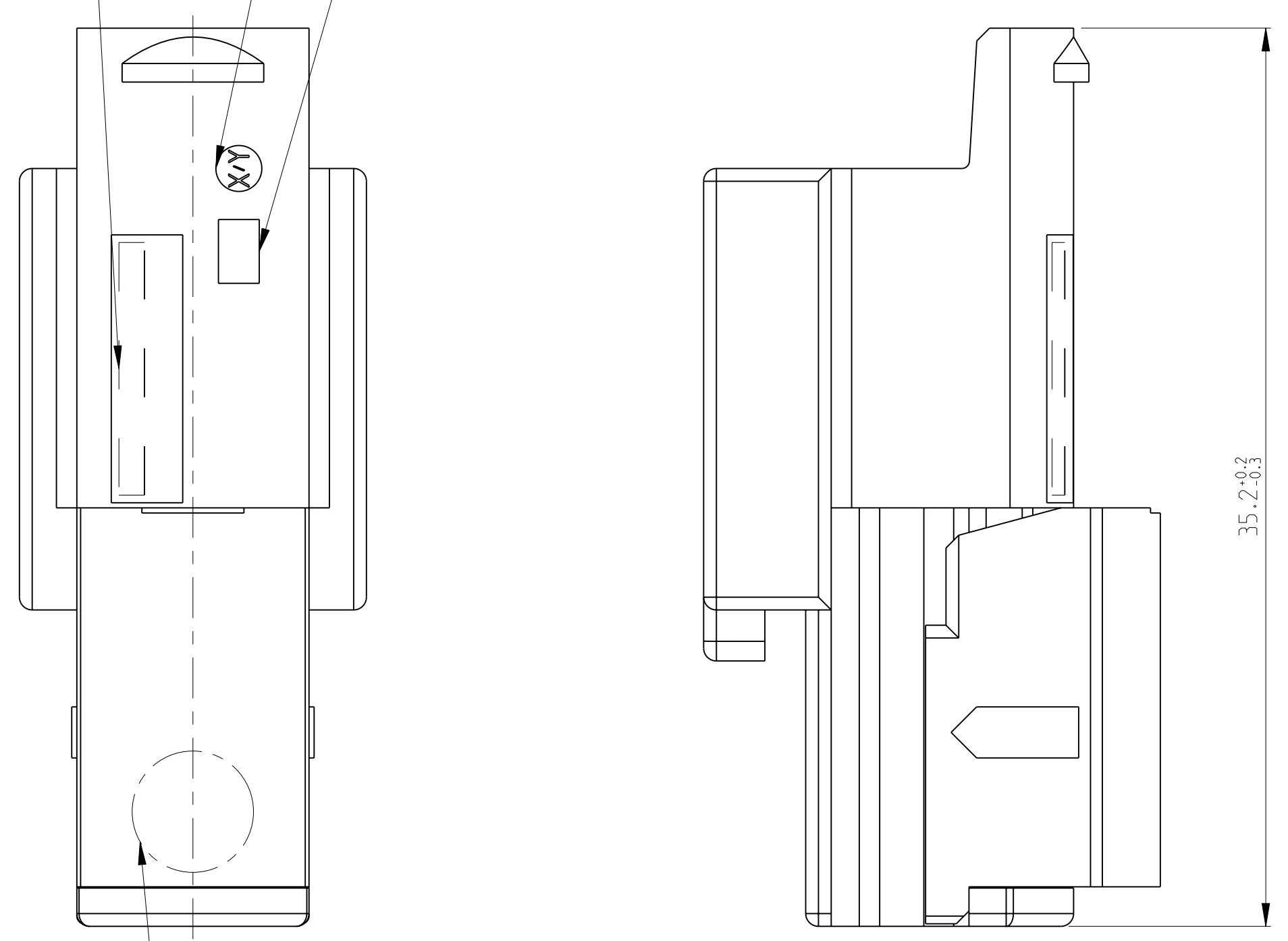
LOC	DIST	REV	DATE	BY	APPV
A1	-	B1	30JAN2007	PS	BL
		B2	20JAN2007	PS	BL
		C1	13DEC2007	PS	BL



EC Bestell-Nr./TE ASSY-PN
EC ORDER-NO./TE ASSY-PN
(siehe Tabelle/SEE TABLE)

Stiftgehäuse Formnest-Nr.
PIN HOUSING CAVITY NO.

Stiftgehäuse PK Produktkennung/TE REV
PIN HOUSING PK PRODUCT LEVEL/TE REV
(siehe Tabelle/SEE TABLE)



▲ Maß bei Vorraststellung
DIMENSION IN PRE-LOCKED POSITION

▲ > 1µm Au über
OVER 2 ..6 µm Ni

Bemerkungen:

1 Passendes Buchsengehäuse: 1393429-5 (Kod. A), 1393429-6 (Kod. B)

2 Passender Stiftkontakt: 1411580-2 (0.35 - 0.5 mm²)

*) Winkel, Form und Lage DIN ISO 2768-mH
ANGLE, FORM AND POSITION DIN ISO 2768-mH

Beschriftung nach Mittelschrift
LETTERING TYPE: DIN 1451

Verpackung: in PE-Beutel im TE Standard - Karton

NOTES:

1 SUITABLE RECEPTACLE HOUSING: 1393429-5 (COD. A), 1393429-6 (COD. B)

2 SUITABLE PIN CONTACT: 1411580-2 (0.35 - 0.5 mm²)

TE-ORDER-NO.	REV.	EC ASSY-NO.	EC-ZSB-Nr.	CODING	TE-PART-NO.	REV.	PK	DESCRIPTION	COLOUR	RAL	MATERIAL	QTY.	POS.	WEIGHT	VOLUME
TE-Order-No.		EC-ASSY-NO.	EC-ZSB-Nr.	Kodierung	TE-Teil-Nr.			Beschreibung	Farbe		Material	Stk.		Gewicht	Volumen
1393433-8	C	V23540-M5302-Y91		B	1411138-1	A		Kurzschlussbrücke/SHORT CIRCUIT BRIDGE	---	---	X12CrNi177	1	3	0.34	43.2
					1411193-1	A	01	Sekundärsich./SECOND. LOCK.	natur/NATURE	---	PBT GF20	1	2	0.54	370
					2-1411201-1	C		Stiftgehäuse/PIN HOUSING	gelb/YELLOW	1018	PBT GF20	1	1	1.808	1519
1393432-2	C	V23540-M5302-Y90		A	1411138-1	A		Kurzschlussbrücke/SHORT CIRCUIT BRIDGE	---	---	X12CrNi177	1	3	0.34	43.2
					1411193-3	A	02	Sekundärsich./SECOND. LOCK.	schwarz/BLACK	9011	PBT GF20	1	2	0.54	370
					1-1411201-1	C		Stiftgehäuse/PIN HOUSING	gelb/YELLOW	1018	PBT GF20	1	1	1.808	1519

<p>TYCO ELECTRONICS IS CONTROLLED UNDER THE EUROPEAN UNION'S EXPORT CONTROL REGULATION (EU EAR) AND IS SUBJECT TO THE EXPORT CONTROL AND RESTRICTIONS SANCTIONS REGULATIONS OF THE UNITED STATES OF AMERICA.</p> <p>TYCO ELECTRONICS IS CONTROLLED UNDER THE EUROPEAN UNION'S EXPORT CONTROL REGULATION (EU EAR) AND IS SUBJECT TO THE EXPORT CONTROL AND RESTRICTIONS SANCTIONS REGULATIONS OF THE UNITED STATES OF AMERICA.</p>	<p>DWN: P. Spahr</p> <p>CHK: B. Leonhardt</p> <p>APVD: -</p>	<p>30JAN2007</p> <p>NAME: -</p>	<p>Tyco Electronics AMP GmbH</p> <p>D - 64625 Bensheim</p>
<p>PRODUCT SPEC: -</p> <p>APPLICATION SPEC: -</p> <p>VERARBEITUNGSSPEZ: -</p>	<p>SIZE: A1</p> <p>CAGE CODE: 00779</p> <p>DRAWING NO: 1411208</p>	<p>RESTRICTED TO: -</p> <p>REV: C1</p>	<p>CUSTOMER DRAWING</p> <p>SCALE: MASSSTAB 5:1</p> <p>SHEET: 1 OF 1</p>