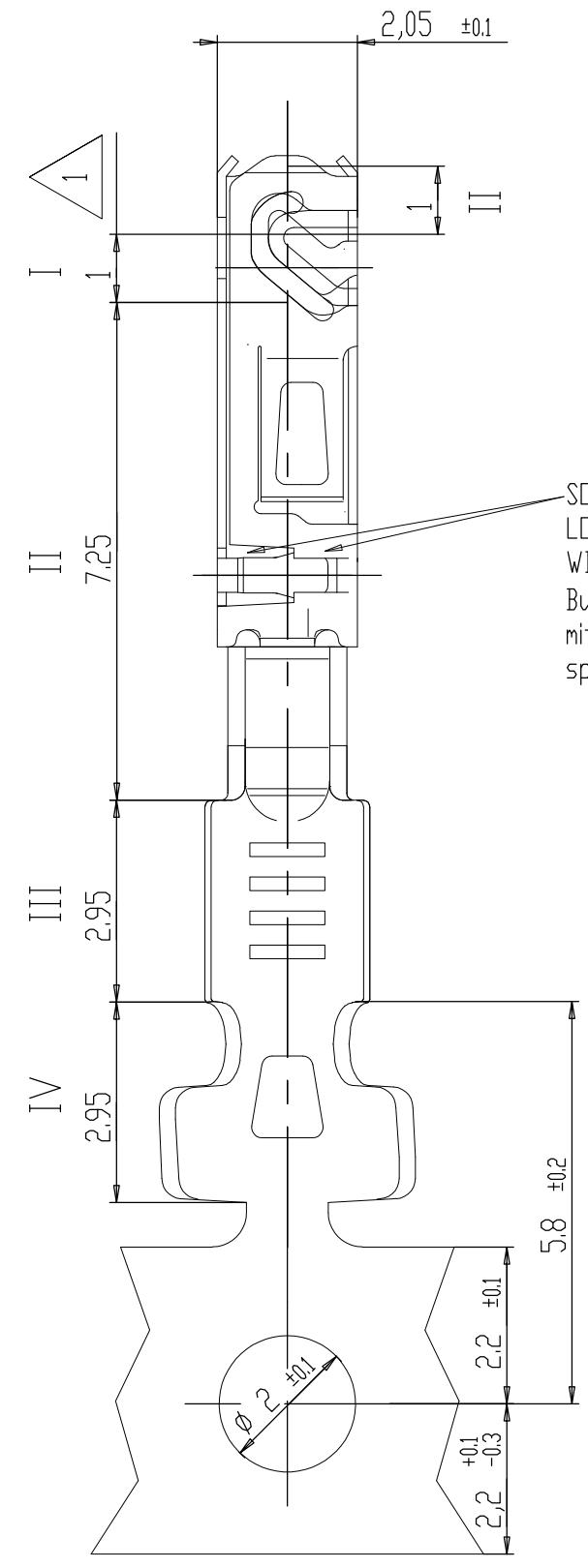


THIS DRAWING IS UNPUBLISHED. RELEASED FOR PUBLICATION  
 © COPYRIGHT - By - ALL RIGHTS RESERVED.

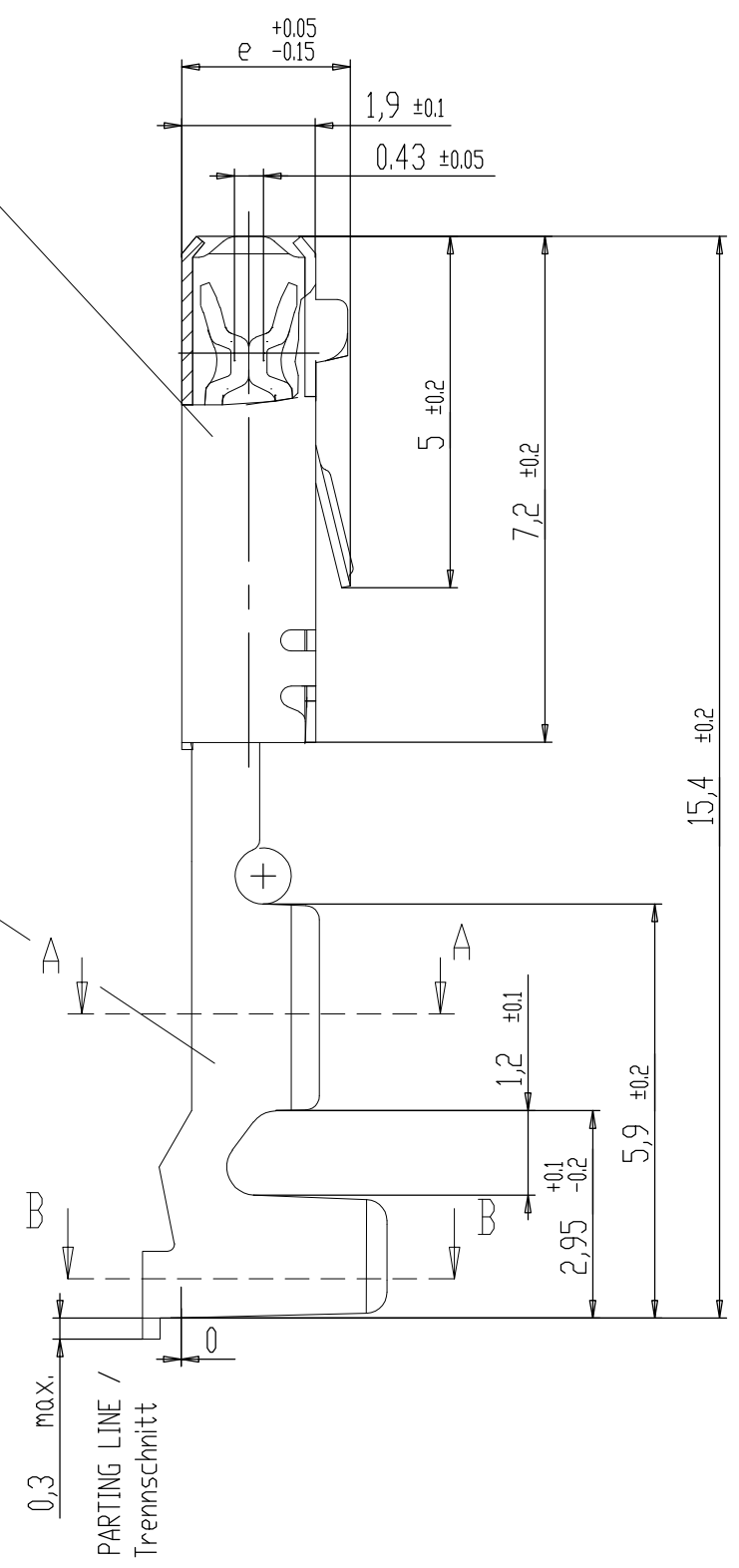
REVISIONS					
P	LTR	DESCRIPTION	DATE	DWN	APVD
	A5	ECR-13-007210	29APR2013	Leim	-
	A6	PART 4-1411572-1 IS ADDED	22DEC2016	GH	RV
	A7	Dimension 'e' for 4-1411572-1 is changed to 2.55	27JAN2017	GH	RV
	A8	DATE OF REVISION A7 IS CHANGED TO 27JAN2017	28MAR2017	GH	RV



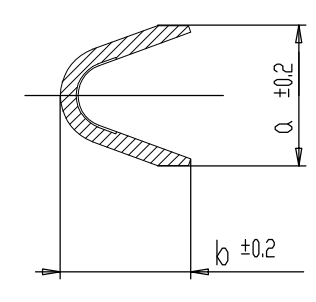
LOCKING SLEEVE  
 MATERIAL:  
 X10CrNi8-8  
 NO SURFACE  
 SHOWN Sn-VERSION  
 Rasthulse  
 Werkstoff:  
 X10CrNi8-8  
 Oberfläche: blank  
 dargestellt Sn-Ausführung

SOCKET CONTACT WITH  
 LOCKING SLEEVE CLAMPED  
 WITHOUT CLEARANCE  
 Buchsenkontakt  
 mit Rasthulse  
 spielfrei verklammt

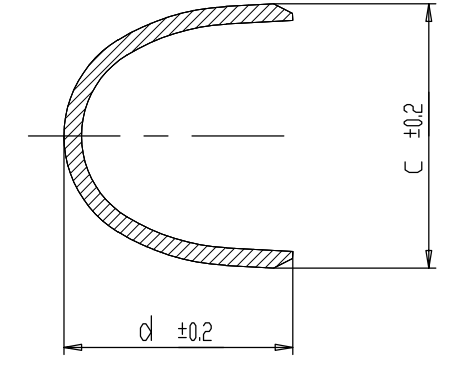
SOCKET CONTACT  
 MATERIAL:  
 CuNi2Si  
 SURFACE SEE TABLE  
 Buchsenkontakt  
 Werkstoff:  
 CuNi2Si  
 Oberfläche: siehe Tabelle



Schnitt A-A



Schnitt B-B



ONLY THE GERMAN-LANGUAGE VERSION  
 SHALL BE BINDING .  
 Massgebend ist der deutsche Text .

- 1 DIP GREASED WITH OPTIMOL, 10% SOLUTION IN ALCOHOL  
 Befettung: Schutzfilm Optimol, 10% Loesung in Testbenzin
- 2 LENGHT AND ANGLES: DIN 7168-m; FORM AND POSITION: DIN ISO 2768-mH  
 Laengen und Winkel: DIN 7168-m ; Form und Lage: DIN ISO 2768-mH

SURFACE / Oberfläche

VERSION Ausführung	PLATING THICKNESS Schichtdicke
Sn	2±1 µm Sn HOT-DIP TINNED / feuerverzinkt
Au	Zone I >= 1 µm Au OVER 2±1 µm Ni >= 1 µm Au ueber 2±1 µm Ni
	Zone II Au- AND/OR Sn-RUNOUT OVER <= 4 µm Ni Au- bzw. Sn-Auslauf ueber <= 4 µm Ni
	Zone III 2±1 µm Sn GALV. OVER <= 1 µm Ni 2±1 µm Sn galv. ueber <= 1 µm Ni
	Zone IV >= 1 µm Sn OVER <= 1 µm Ni >= 1 µm Sn ueber <= 1 µm Ni

4-1411572-1	A	0.35-0.5	Sn	2	1.85	3.75	3.1	2.55	0.2	ROTATED gedreht	
2-1411573-1	A	0.75	Sn	2.40	2.45	3.75	3.1	2.55	0.2	ROTATED gedreht	
0-1411572-2	A	0.35 - 0.5	Au	2	1.85	3.75	3.1	2.4	0.2	ROTATED gedreht	REPLACES FOR / Ersatz fuer: 0-1411556-2
0-1411572-1	A	0.35 - 0.5	Sn	2	1.85	3.75	3.1	2.4	0.2	ROTATED gedreht	REPLACES FOR / Ersatz fuer: 1-1411556-1
TE ORDER NO. TE Best.-Nr.	Rev.	CONDUCTOR SIZE Leitungs- querschnitt	SURFACE Ober- flaeche	DIMENSION Mass					WEIGHT Gewicht	REMARKS Bemerkungen	

THIS DRAWING IS A CONTROLLED DOCUMENT.

DWN G.Abraham 23AUG2000	TE Connectivity Buchsenkontakt ELO seal, Crimp-Version SOCKET CONTACT ELO SEAL, CRIMP-VERSION
CHK C.Goepfel 05AUG2000	
APVD M.Bleicher 24NOV2003	
PRODUCT SPEC 108-94155	
MATERIAL	APPLICATION SPEC 114-18432
FINISH	WEIGHT
CUSTOMER DRAWING	

SIZE A2	CAGE CODE 00779	DRAWING NO C=1411611	RESTRICTED TO -
SCALE 10:1	SHEET 1 of 1	REV A8	