

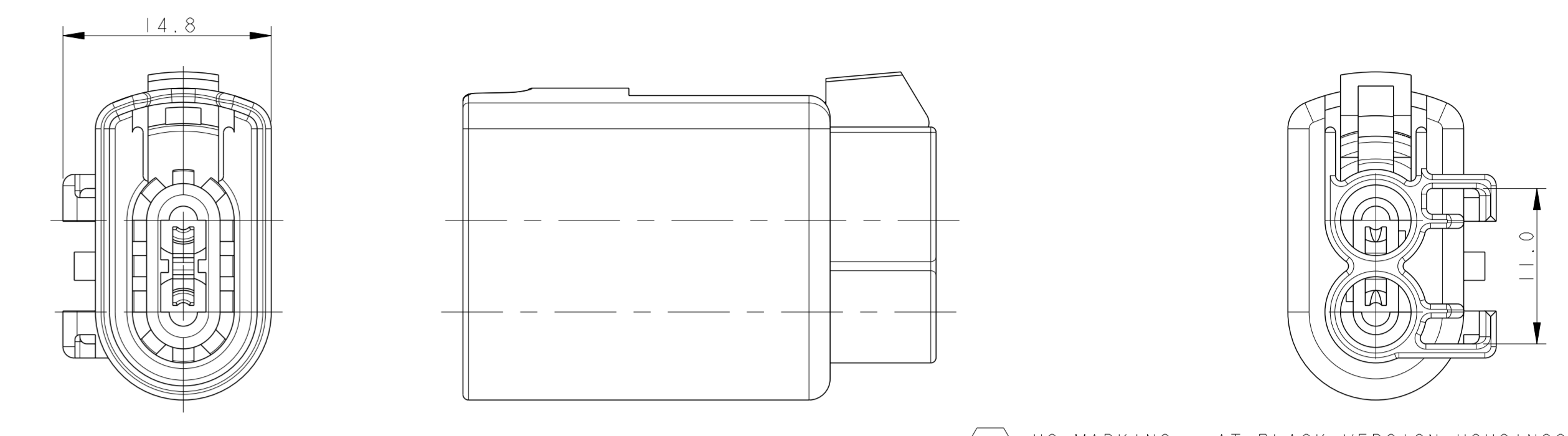
REVISIONS			
REV	DESCRIPTION	DATE	BY
A2	REDRAWN AND REVISED FOR ECR 06-003008	21FEB2004	MP RM
A3	REDRAWN FOR ECR-08-013212	03JUN2008	DS RM
A4	ECR-15-008793	16JAN2015	GN GB
A5	PART REV. CORRECTION; 5-1437710-5-6-7-8	22JUN2014	GB SZG



FULL SIZE VIEWS
SCALE 1:1

PART AS SUPPLIED				COMPONENTS			COLOURS			MATERIALS			SUITABLE FOR		
TE PART No.	DESCRIPTION	WATERPROOF	WEIGHT	1 HOUSING	2 SPACER	3 SEAL	1 HOUSING	2 SPACER	3 SEAL	1 HOUSING	2 SPACER	3 SEAL	1 HOUSING	2 SPACER	3 SEAL
5-1437710-5	2 WAY MALE CONNECTOR	YES	4.66 gr.	1	1	1	BLACK	LIGHT BLUE	REDDISH BROWN	HS - PBTP 30% GF	PBTP 33% GF	SILICONE ELASTOMER	TERMINAL FEMALE		
5-1437710-6	2 WAY MALE CONNECTOR WITH RETAINER		5.06 gr.	1	1	1							0-1437709-9 (0.22-0.35mm ²) GOLD PLATED 1-1437709-0 (0.50-1.00mm ²) GOLD PLATED 1-1437709-7 (1.50mm ²) GOLD PLATED 1-1437709-4 (0.22-0.35mm ²) TIN PLATED 1-1437709-5 (0.50-1.00mm ²) TIN PLATED 1-1437709-6 (1.50mm ²) TIN PLATED	WIRE SEAL	
5-1437710-7	2 WAY MALE CONNECTOR	NO	4.64 gr.	1	1	1	BLACK	RED	SILICONE ELASTOMER	TERMINAL FEMALE					
5-1437710-8	2 WAY MALE CONNECTOR WITH RETAINER		4.84 gr.	1	1	1				1-1437713-1 (0.22-0.35) BLACK 1-1437713-2 (0.50-1.00) RED 1-1437713-3 (1.50) BLUE	WIRE SEAL				

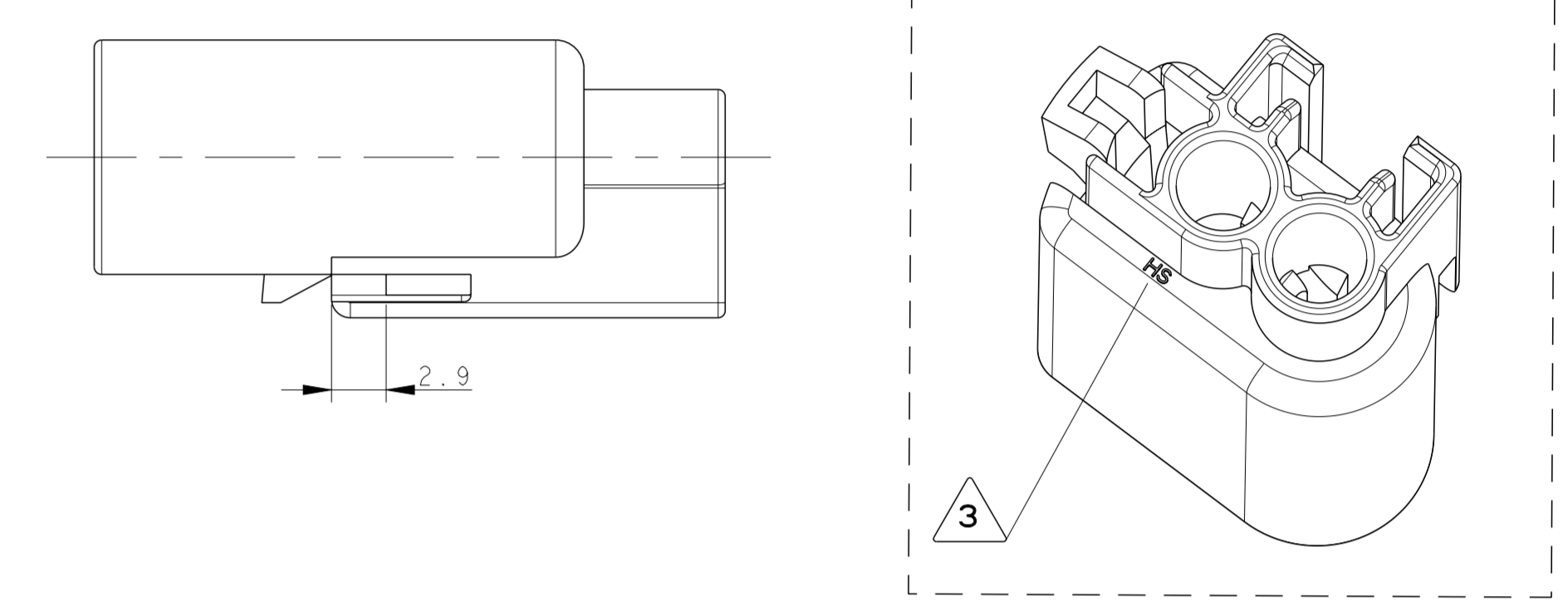
MATING PARTS	
TE PART No.	DESCRIPTION
2-1437712-5	2 WAY FEMALE CONNECTOR WATERPROOF
2-1437713-6	2 WAY FEMALE CONNECTOR NON WATERPROOF



1 HOUSING WITH RETAINER
WATERPROOF / NOT WATERPROOF

PART AS SUPPLIED				COMPONENTS			COLOURS			MATERIALS			SUITABLE FOR		
TE PART No.	DESCRIPTION	WATERPROOF	WEIGHT	1 HOUSING	2 SPACER	3 SEAL	1 HOUSING	2 SPACER	3 SEAL	1 HOUSING	2 SPACER	3 SEAL	1 HOUSING	2 SPACER	3 SEAL
6-1437710-6	2 WAY MALE CONNECTOR	YES	4.66 gr.	1	1	1	NATURAL	LIGHT BLUE	REDDISH BROWN	PBTP 33% GF	PBTP 33% GF	SILICONE ELASTOMER	TERMINAL FEMALE		
6-1437710-7	2 WAY MALE CONNECTOR WITH RETAINER		5.06 gr.	1	1	1							0-1437709-9 (0.22-0.35mm ²) GOLD PLATED 1-1437709-0 (0.50-1.00mm ²) GOLD PLATED 1-1437709-7 (1.50mm ²) GOLD PLATED 1-1437709-4 (0.22-0.35mm ²) TIN PLATED 1-1437709-5 (0.50-1.00mm ²) TIN PLATED 1-1437709-6 (1.50mm ²) TIN PLATED	WIRE SEAL	
6-1437710-8	2 WAY MALE CONNECTOR	NO	4.64 gr.	1	1	1	NATURAL	RED	SILICONE ELASTOMER	TERMINAL FEMALE					
6-1437710-9	2 WAY MALE CONNECTOR WITH RETAINER		4.84 gr.	1	1	1				1-1437713-1 (0.22-0.35) BLACK 1-1437713-2 (0.50-1.00) RED 1-1437713-3 (1.50) BLUE	WIRE SEAL				

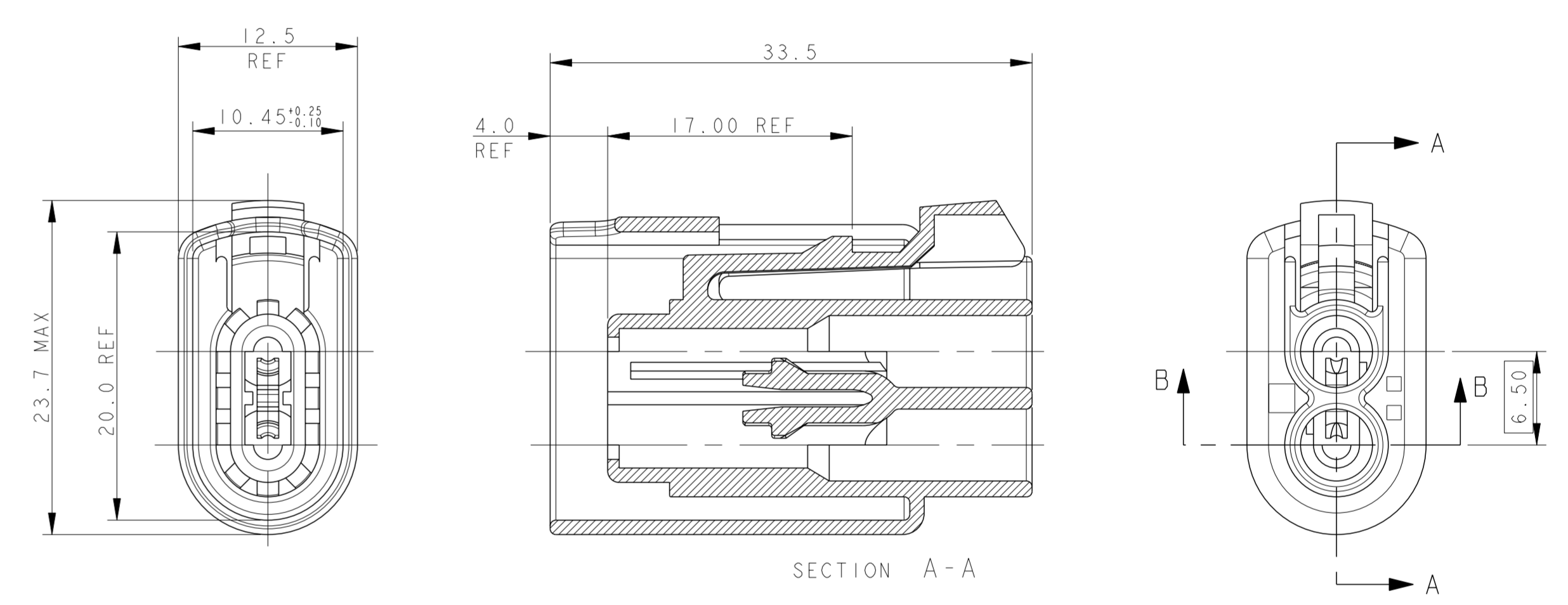
MATING PARTS	
TE PART No.	DESCRIPTION
2-1437712-8	2 WAY FEMALE CONNECTOR WATERPROOF
2-1437712-9	2 WAY FEMALE CONNECTOR NON WATERPROOF



3 HOUSING WITHOUT RETAINER
WATERPROOF / NOT WATERPROOF

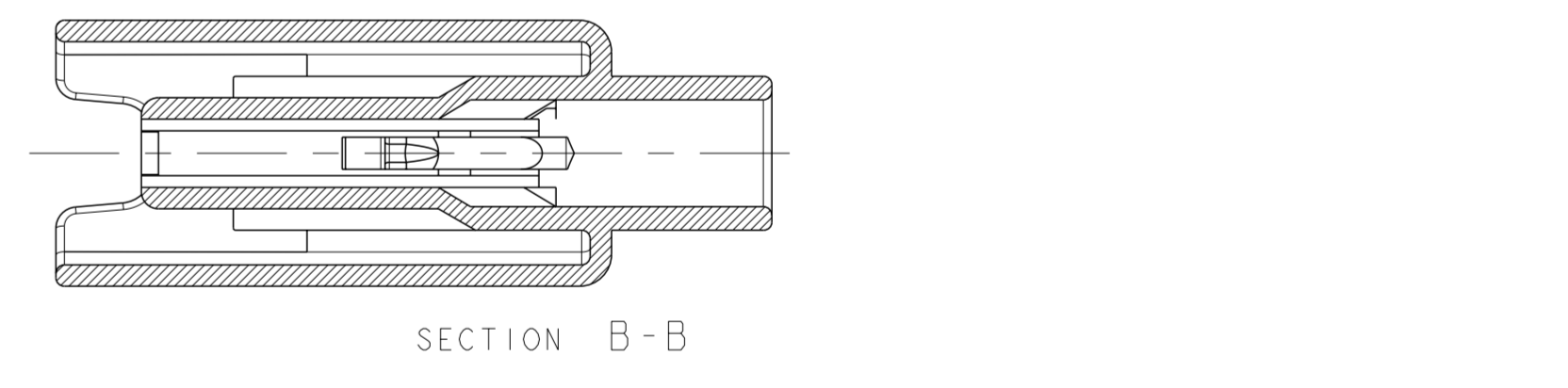
PART AS SUPPLIED				COMPONENTS			COLOURS			MATERIALS			SUITABLE FOR		
TE PART No.	DESCRIPTION	WATERPROOF	WEIGHT	1 HOUSING	2 SPACER	3 SEAL	1 HOUSING	2 SPACER	3 SEAL	1 HOUSING	2 SPACER	3 SEAL	1 HOUSING	2 SPACER	3 SEAL
7-1437710-0	2 WAY MALE CONNECTOR WITH RETAINER	YES	5.06 gr.	1	1	1	RED	LIGHT BLUE	REDDISH BROWN	PBTP 33% GF	PBTP 33% GF	SILICONE ELASTOMER	TERMINAL FEMALE		
7-1437710-1	2 WAY MALE CONNECTOR		4.84 gr.	1	1	1							0-1437709-9 (0.22-0.35mm ²) GOLD PLATED 1-1437709-0 (0.50-1.00mm ²) GOLD PLATED 1-1437709-7 (1.50mm ²) GOLD PLATED 1-1437709-4 (0.22-0.35mm ²) TIN PLATED 1-1437709-5 (0.50-1.00mm ²) TIN PLATED 1-1437709-6 (1.50mm ²) TIN PLATED	WIRE SEAL	
7-1437710-2	2 WAY MALE CONNECTOR WITH RETAINER	NO	4.84 gr.	1	1	1	RED	RED	SILICONE ELASTOMER	TERMINAL FEMALE					
7-1437710-3	2 WAY MALE CONNECTOR		5.06 gr.	1	1	1				1-1437713-1 (0.22-0.35) BLACK 1-1437713-2 (0.50-1.00) RED 1-1437713-3 (1.50) BLUE	WIRE SEAL				

MATING PARTS	
TE PART No.	DESCRIPTION
2-1437712-9	2 WAY FEMALE CONNECTOR WATERPROOF
2-1437712-6	2 WAY FEMALE CONNECTOR NON WATERPROOF



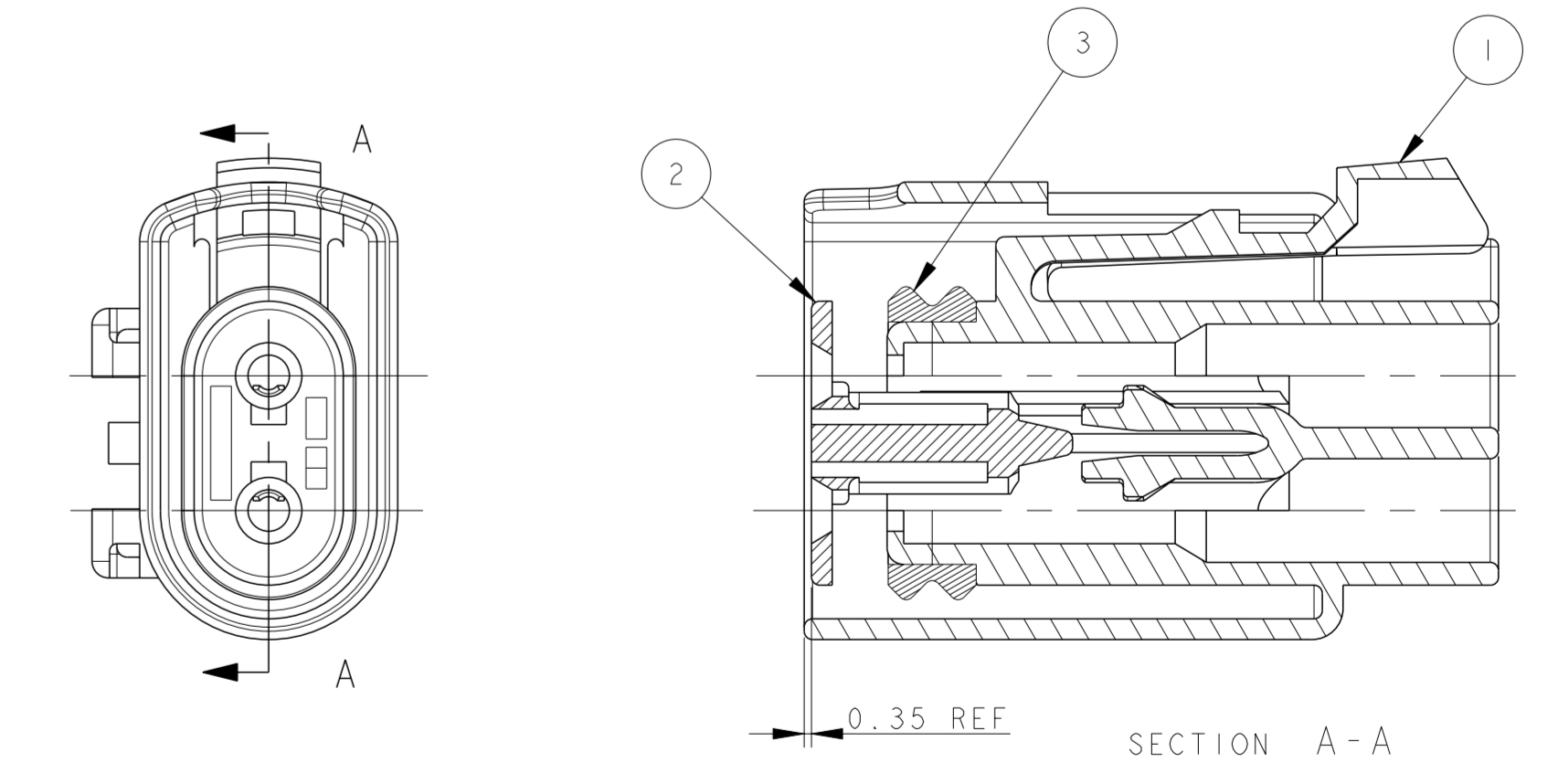
PART AS SUPPLIED				COMPONENTS			COLOURS			MATERIALS			SUITABLE FOR		
TE PART No.	DESCRIPTION	WATERPROOF	WEIGHT	1 HOUSING	2 SPACER	3 SEAL	1 HOUSING	2 SPACER	3 SEAL	1 HOUSING	2 SPACER	3 SEAL	1 HOUSING	2 SPACER	3 SEAL
5-1437710-9	2 WAY MALE CONNECTOR	YES	4.66 gr.	1	1	1	BLUE	LIGHT BLUE	REDDISH BROWN	PBTP 33% GF	PBTP 33% GF	SILICONE ELASTOMER	TERMINAL FEMALE		
6-1437710-0	2 WAY MALE CONNECTOR WITH RETAINER		5.06 gr.	1	1	1							0-1437709-9 (0.22-0.35mm ²) GOLD PLATED 1-1437709-0 (0.50-1.00mm ²) GOLD PLATED 1-1437709-7 (1.50mm ²) GOLD PLATED 1-1437709-4 (0.22-0.35mm ²) TIN PLATED 1-1437709-5 (0.50-1.00mm ²) TIN PLATED 1-1437709-6 (1.50mm ²) TIN PLATED	WIRE SEAL	
6-1437710-1	2 WAY MALE CONNECTOR	NO	4.64 gr.	1	1	1	BLUE	RED	SILICONE ELASTOMER	TERMINAL FEMALE					
6-1437710-2	2 WAY MALE CONNECTOR WITH RETAINER		4.84 gr.	1	1	1				1-1437713-1 (0.22-0.35) BLACK 1-1437713-2 (0.50-1.00) RED 1-1437713-3 (1.50) BLUE	WIRE SEAL				

MATING PARTS	
TE PART No.	DESCRIPTION
2-1437712-6	2 WAY FEMALE CONNECTOR WATERPROOF
2-1437712-9	2 WAY FEMALE CONNECTOR NON WATERPROOF



PART AS SUPPLIED				COMPONENTS			COLOURS			MATERIALS			SUITABLE FOR		
TE PART No.	DESCRIPTION	WATERPROOF	WEIGHT	1 HOUSING	2 SPACER	3 SEAL	1 HOUSING	2 SPACER	3 SEAL	1 HOUSING	2 SPACER	3 SEAL	1 HOUSING	2 SPACER	3 SEAL
6-1437710-3	2 WAY MALE CONNECTOR	YES	4.66 gr.	1	1	1	GRAY	LIGHT BLUE	REDDISH BROWN	PBTP 33% GF	PBTP 33% GF	SILICONE ELASTOMER	TERMINAL FEMALE		
6-1437710-4	2 WAY MALE CONNECTOR WITH RETAINER		5.06 gr.	1	1	1							0-1437709-9 (0.22-0.35mm ²) GOLD PLATED 1-1437709-0 (0.50-1.00mm ²) GOLD PLATED 1-1437709-7 (1.50mm ²) GOLD PLATED 1-1437709-4 (0.22-0.35mm ²) TIN PLATED 1-1437709-5 (0.50-1.00mm ²) TIN PLATED 1-1437709-6 (1.50mm ²) TIN PLATED	WIRE SEAL	
6-1437710-5	2 WAY MALE CONNECTOR	NO	4.64 gr.	1	1	1	GRAY	RED	SILICONE ELASTOMER	TERMINAL FEMALE					
6-1437710-6	2 WAY MALE CONNECTOR WITH RETAINER		5.06 gr.	1	1	1				1-1437713-1 (0.22-0.35) BLACK 1-1437713-2 (0.50-1.00) RED 1-1437713-3 (1.50) BLUE	WIRE SEAL				

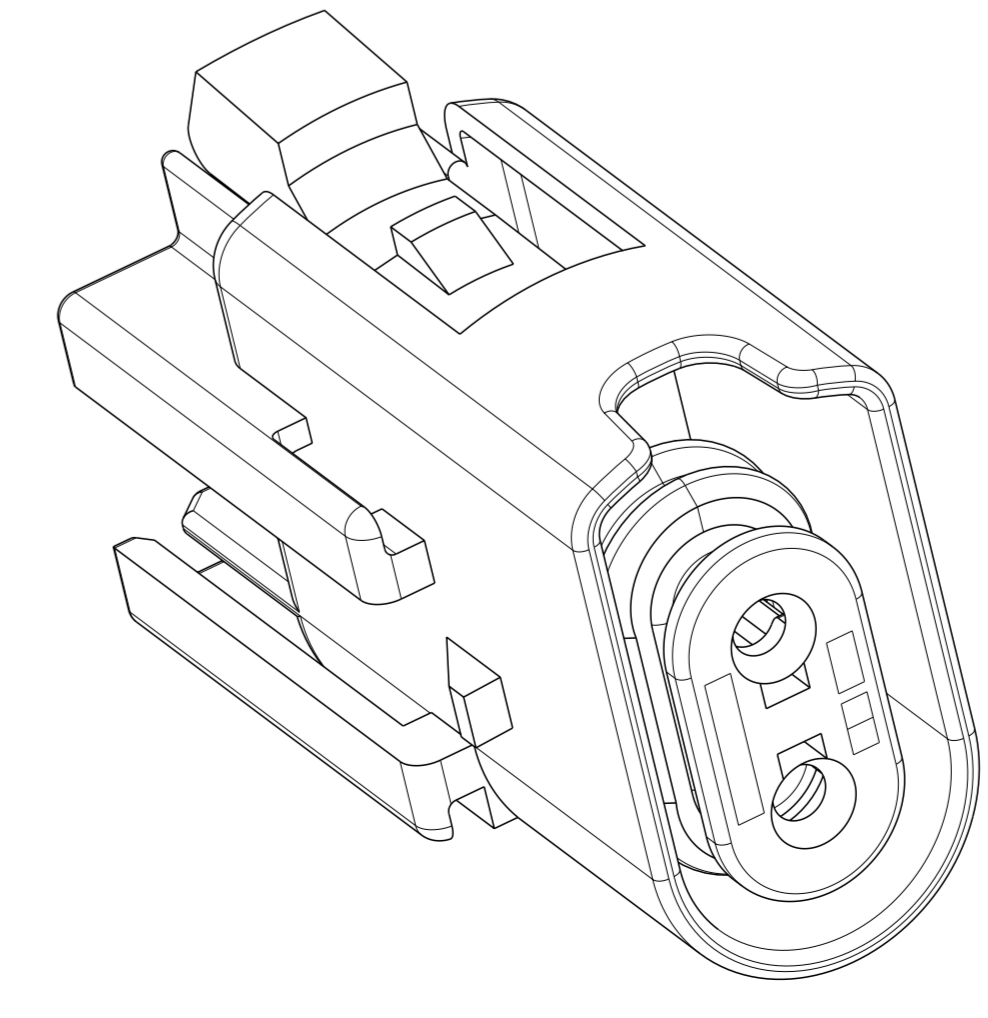
MATING PARTS	
TE PART No.	DESCRIPTION
2-1437712-7	2 WAY FEMALE CONNECTOR WATERPROOF
2-1437712-9	2 WAY FEMALE CONNECTOR NON WATERPROOF



SCALE 4:1

PART AS SUPPLIED				COMPONENTS			COLOURS			MATERIALS			SUITABLE FOR		
TE PART No.	DESCRIPTION	WATERPROOF	WEIGHT	1 HOUSING	2 SPACER	3 SEAL	1 HOUSING	2 SPACER	3 SEAL	1 HOUSING	2 SPACER	3 SEAL	1 HOUSING	2 SPACER	3 SEAL
7-1437710-2	2 WAY MALE CONNECTOR	YES	4.66 gr.	1	1	1	YELLOW	LIGHT BLUE	REDDISH BROWN	PBTP 33% GF	PBTP 33% GF	SILICONE ELASTOMER	TERMINAL FEMALE		
7-1437710-3	2 WAY MALE CONNECTOR WITH RETAINER		5.06 gr.	1	1	1							0-1437709-9 (0.22-0.35mm ²) GOLD PLATED 1-1437709-0 (0.50-1.00mm ²) GOLD PLATED 1-1437709-7 (1.50mm ²) GOLD PLATED 1-1437709-4 (0.22-0.35mm ²) TIN PLATED 1-1437709-5 (0.50-1.00mm ²) TIN PLATED 1-1437709-6 (1.50mm ²) TIN PLATED	WIRE SEAL	
7-1437710-4	2 WAY MALE CONNECTOR	NO	4.64 gr.	1	1	1	YELLOW	RED	SILICONE ELASTOMER	TERMINAL FEMALE					
7-1437710-5	2 WAY MALE CONNECTOR WITH RETAINER		4.84 gr.	1	1	1				1-1437713-1 (0.22-0.35) BLACK 1-1437713-2 (0.50-1.00) RED 1-1437713-3 (1.50) BLUE	WIRE SEAL				

MATING PARTS	
TE PART No.	DESCRIPTION
2-1437712-0	2 WAY FEMALE CONNECTOR WATERPROOF
2-1437712-9	2 WAY FEMALE CONNECTOR NON WATERPROOF



NOTES UNLESS OTHERWISE SPECIFIED:
 1) SEE CHART FOR MATING PART NUMBERS.
 2) THE CONNECTOR WITH AND WITHOUT RETAINER MOUNTING FEATURE IS DESIGNED TO PASS THROUGH A Ø 24.00mm MIN. HOLE

A4 3 HS MARKING - HIGH SPEED MATERIAL PBT GF 30 IN CASE BLACK HOUSING WITH / WITHOUT RETAINER VERSION ONLY

THIS DRAWING IS A CONTROLLED DOCUMENT.		REV. 20 MAY 2008	DATE 20 MAY 2008	BY MP	TE Connectivity
DRAWN BY	DESIGNED BY	CHK. BY	APP. BY	DATE	REV.
0 PFC	0 PFC	0 PFC	0 PFC	08-20269	1
1 PFC	1 PFC	1 PFC	1 PFC	411-20111	2
2 PFC	2 PFC	2 PFC	2 PFC	00779	3
3 PFC	3 PFC	3 PFC	3 PFC	1418066	4
4 PFC	4 PFC	4 PFC	4 PFC	00779	5
5 PFC	5 PFC	5 PFC	5 PFC	1418066	6
6 PFC	6 PFC	6 PFC	6 PFC	00779	7
7 PFC	7 PFC	7 PFC	7 PFC	1418066	8
8 PFC	8 PFC	8 PFC	8 PFC	00779	9
9 PFC	9 PFC	9 PFC	9 PFC	1418066	10

2 WAY MALE, BLACK WATERPROOF VERSION WITH RETAINER

ASSEMBLY	
T&B UNIVERSAL PART No	106049
TE PART No.	0-1437710-8
T&B FORD PART No	NPITA-00R2XX
FORD PART No	91AG-14A464-BBC
TE PART No.	5-1437710-6

⚠️ OBSOLETE, SUPERSEDED BY 5-1437710-6

2 WAY MALE, NATURAL WATERPROOF VERSION WITH RETAINER

ASSEMBLY	
T&B UNIVERSAL PART No	106049-N
TE PART No.	1-1437710-0
T&B FORD PART No	NPITA-N0R2XX
FORD PART No	91AG-14A464-BBC
TE PART No.	6-1437710-7

⚠️ OBSOLETE, SUPERSEDED BY 6-1437710-7

2 WAY MALE, RED WATERPROOF VERSION WITH RETAINER

ASSEMBLY	
T&B UNIVERSAL PART No	106049-R
TE PART No.	1-1437710-1
T&B FORD PART No	NPITA-R0R2XX
FORD PART No	91AG-14A464-BBC
TE PART No.	7-1437710-0

⚠️ OBSOLETE, SUPERSEDED BY 7-1437710-0

2 WAY MALE, GREY WATERPROOF VERSION WITH RETAINER

ASSEMBLY	
T&B UNIVERSAL PART No	106049-G
TE PART No.	6-1437710-4
T&B FORD PART No	NPITA-G0R2XX
FORD PART No	91AG-14A464-BBC
TE PART No.	6-1437710-4

2 WAY MALE, YELLOW WATERPROOF VERSION WITH RETAINER

ASSEMBLY	
T&B UNIVERSAL PART No	106049-Y
TE PART No.	7-1437710-3
T&B FORD PART No	NPITA-Y0R2XX
FORD PART No	91AG-14A464-BBC
TE PART No.	7-1437710-3

2 WAY MALE, BLUE WATERPROOF VERSION WITH RETAINER

ASSEMBLY	
T&B UNIVERSAL PART No	106049-D
TE PART No.	0-1437710-9
T&B FORD PART No	NPITA-D0R2XX
FORD PART No	91AG-14A464-BBC
TE PART No.	6-1437710-0

⚠️ OBSOLETE, SUPERSEDED BY 6-1437710-0

2 WAY MALE, BLACK WATERPROOF VERSION WITHOUT RETAINER

ASSEMBLY	
T&B UNIVERSAL PART No	106047
TE PART No.	5-1437710-5
T&B FORD PART No	NPITA-0002XX
FORD PART No	89FG-14A464-ABB
TE PART No.	5-1437710-5

2 WAY MALE, NATURAL WATERPROOF VERSION WITHOUT RETAINER

ASSEMBLY	
T&B UNIVERSAL PART No	106047-N
TE PART No.	6-1437710-6
T&B FORD PART No	NPITA-N002XX
FORD PART No	89FG-14A464-ABB
TE PART No.	6-1437710-6

2 WAY MALE, RED WATERPROOF VERSION WITHOUT RETAINER

ASSEMBLY	
T&B UNIVERSAL PART No	106047-R
TE PART No.	-
T&B FORD PART No	NPITA-R002XX
FORD PART No	89FG-14A464-ABB
TE PART No.	-

2 WAY MALE, GREY WATERPROOF VERSION WITHOUT RETAINER

ASSEMBLY	
T&B UNIVERSAL PART No	106047-G
TE PART No.	6-1437710-3
T&B FORD PART No	NPITA-G002XX
FORD PART No	89FG-14A464-ABB
TE PART No.	6-1437710-3

2 WAY MALE, YELLOW WATERPROOF VERSION WITHOUT RETAINER

ASSEMBLY	
T&B UNIVERSAL PART No	106047-Y
TE PART No.	7-1437710-2
T&B FORD PART No	NPITA-Y002XX
FORD PART No	89FG-14A464-ABB
TE PART No.	7-1437710-2

2 WAY MALE, BLUE WATERPROOF VERSION WITHOUT RETAINER

ASSEMBLY	
T&B UNIVERSAL PART No	106047-D
TE PART No.	5-1437710-9
T&B FORD PART No	NPITA-D002XX
FORD PART No	89FG-14A464-ABB
TE PART No.	5-1437710-9

2 WAY MALE, BLACK NON WATERPROOF VERSION WITH RETAINER

ASSEMBLY	
T&B UNIVERSAL PART No	106050
TE PART No.	1-1437710-2
T&B FORD PART No	NPITA-0AR2XX
FORD PART No	91AG-14489-BBC
TE PART No.	5-1437710-8

⚠️ OBSOLETE, SUPERSEDED BY 5-1437710-8

2 WAY MALE, NATURAL NON WATERPROOF VERSION WITH RETAINER

ASSEMBLY	
T&B UNIVERSAL PART No	106050-N
TE PART No.	6-1437710-9
T&B FORD PART No	NPITA-NAR2XX
FORD PART No	91AG-14489-BBC
TE PART No.	6-1437710-9

2 WAY MALE, RED NON WATERPROOF VERSION WITH RETAINER

ASSEMBLY	
T&B UNIVERSAL PART No	106050-R
TE PART No.	7-1437710-1
T&B FORD PART No	NPITA-RAR2XX
FORD PART No	91AG-14489-BBC
TE PART No.	7-1437710-1

2 WAY MALE, GREY NON WATERPROOF VERSION WITH RETAINER

ASSEMBLY	
T&B UNIVERSAL PART No	106050-G
TE PART No.	-
T&B FORD PART No	NPITA-GAR2XX
FORD PART No	91AG-14489-BBC
TE PART No.	-

2 WAY MALE, YELLOW NON WATERPROOF VERSION WITH RETAINER

ASSEMBLY	
T&B UNIVERSAL PART No	106050-Y
TE PART No.	7-1437710-5
T&B FORD PART No	NPITA-YAR2XX
FORD PART No	91AG-14489-BBC
TE PART No.	7-1437710-5

2 WAY MALE, BLUE NON WATERPROOF VERSION WITH RETAINER

ASSEMBLY	
T&B UNIVERSAL PART No	106050-D
TE PART No.	6-1437710-2
T&B FORD PART No	NPITA-DAR2XX
FORD PART No	91AG-14489-BBC
TE PART No.	6-1437710-2

2 WAY MALE, BLACK NON WATERPROOF VERSION WITHOUT RETAINER

ASSEMBLY	
T&B UNIVERSAL PART No	106048
TE PART No.	0-1437710-7
T&B FORD PART No	NPITA-0A02XX
FORD PART No	89FG-14489-ABB
TE PART No.	5-1437710-7

⚠️ OBSOLETE, SUPERSEDED BY 5-1437710-7

2 WAY MALE, NATURAL NON WATERPROOF VERSION WITHOUT RETAINER

ASSEMBLY	
T&B UNIVERSAL PART No	106048-N
TE PART No.	6-1437710-8
T&B FORD PART No	NPITA-NA02XX
FORD PART No	89FG-14489-ABB
TE PART No.	6-1437710-8

2 WAY MALE, RED NON WATERPROOF VERSION WITHOUT RETAINER

ASSEMBLY	
T&B UNIVERSAL PART No	106048-R
TE PART No.	-
T&B FORD PART No	NPITA-RA02XX
FORD PART No	89FG-14489-ABB
TE PART No.	-

2 WAY MALE, GREY NON WATERPROOF VERSION WITHOUT RETAINER

ASSEMBLY	
T&B UNIVERSAL PART No	106048-G
TE PART No.	6-1437710-5
T&B FORD PART No	NPITA-GA02XX
FORD PART No	89FG-14489-ABB
TE PART No.	6-1437710-5

2 WAY MALE, YELLOW NON WATERPROOF VERSION WITHOUT RETAINER

ASSEMBLY	
T&B UNIVERSAL PART No	106048-Y
TE PART No.	7-1437710-4
T&B FORD PART No	NPITA-YA02XX
FORD PART No	89FG-14489-ABB
TE PART No.	7-1437710-4

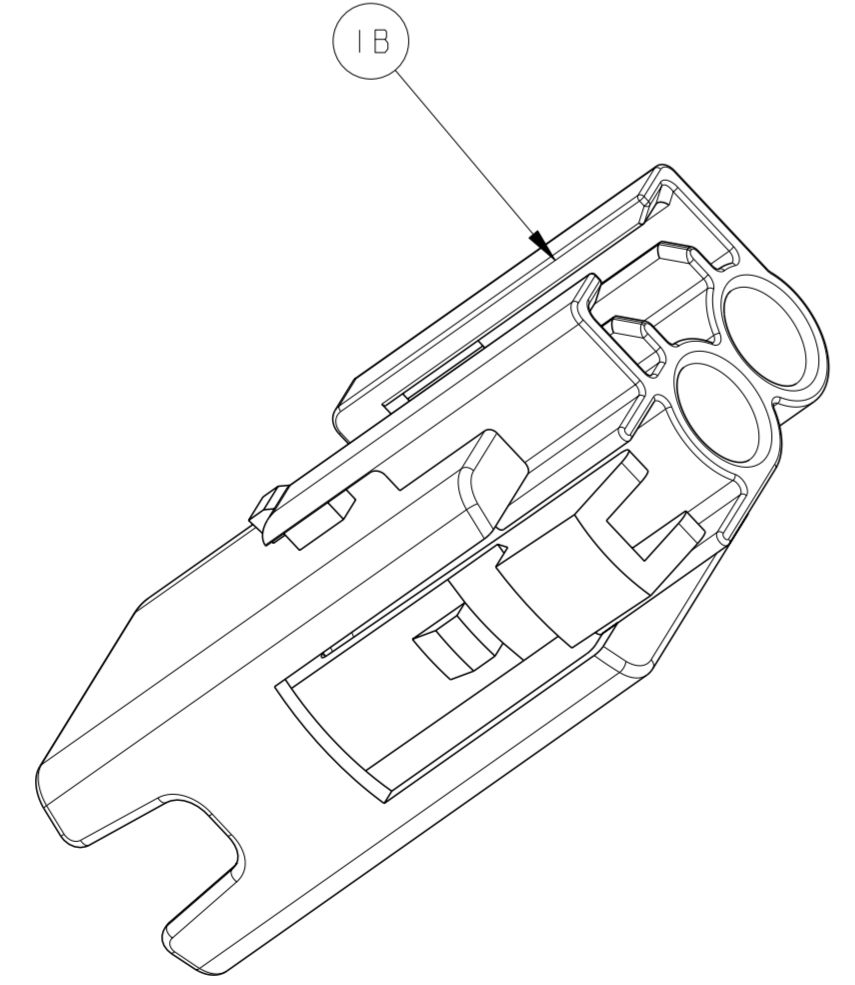
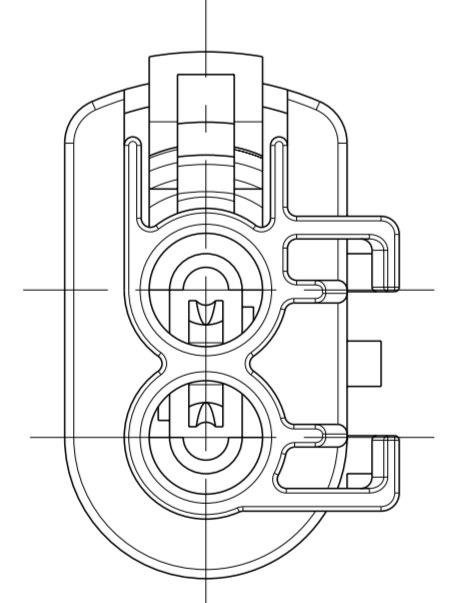
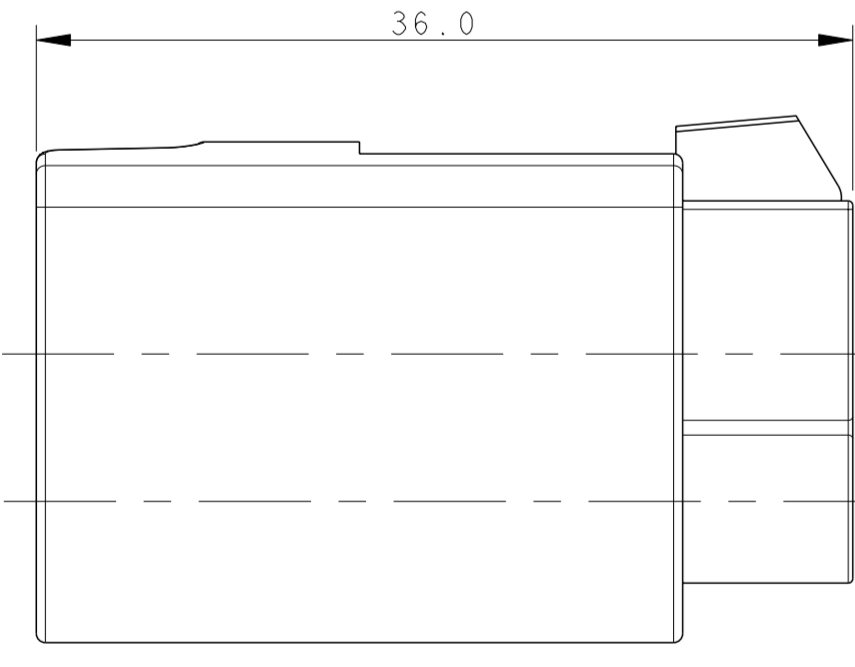
2 WAY MALE, BLUE NON WATERPROOF VERSION WITHOUT RETAINER

ASSEMBLY	
T&B UNIVERSAL PART No	106048-D
TE PART No.	6-1437710-1
T&B FORD PART No	NPITA-DA02XX
FORD PART No	89FG-14489-ABB
TE PART No.	6-1437710-1

2 WAY MALE, GREY WATERPROOF VERSION WITH EXTENDED SHROUD

ASSEMBLY	
T&B PART No	2450159-001
FORD PART No	98AG-14A464-DBA
TE PART No.	0-1437710-1

⚠️ IMPORTANT! ADD COLOUR AT ORDERS WITH FORD-PN'S
 E.G. 91AG-14A464-BBC RED



2 WAY MALE, GREY VERSION P/N 0-1437710-1 WITH EXTENDED SHROUD

										DESCRIPTION	ITEM
										HOUSING WITH RETAINER (BLACK)	1
										HOUSING WITHOUT RETAINER (BLACK)	1
										HOUSING WITH RETAINER (NATURAL)	1
										HOUSING WITHOUT RETAINER (NATURAL)	1
										HOUSING WITH RETAINER (RED)	1
										HOUSING WITHOUT RETAINER (RED)	1
										HOUSING WITH RETAINER (YELLOW)	1
										HOUSING WITHOUT RETAINER (YELLOW)	1
										HOUSING WITH RETAINER (GRAY)	1
										HOUSING WITHOUT RETAINER (GRAY)	1
										HOUSING WITH RETAINER (BLUE)	1
										HOUSING WITHOUT RETAINER (BLUE)	1
										HOUSING WITH EXTENDED SHROUD WITH RETAINER (GRAY)	1B
										SPACER (RED)	2
										SPACER (LIGHT BLUE)	2
										SEAL (REDDISH BROWN)	3

PART AS SUPPLIED				COMPONENTS			COLOURS			MATERIALS		
TE PART No.	DESCRIPTION	WATERPROOF	WEIGHT	1 HOUSING	2 SPACER	3 SEAL	1 HOUSING	2 SPACER	3 SEAL	1 HOUSING	2 SPACER	3 SEAL
-	2 WAY MALE CONNECTOR WITH EXTENDED SHROUD	YES	-	1	1	1						
0-1437710-1	2 WAY MALE CONNECTOR WITH EXTENDED SHROUD WITH RETAINER	YES	5.46 gr.	1	1	1						
-	2 WAY MALE CONNECTOR WITH EXTENDED SHROUD	NO	-	1	1							
-	2 WAY MALE CONNECTOR WITH EXTENDED SHROUD WITH RETAINER	NO	-	1	1							

SUITABLE FOR

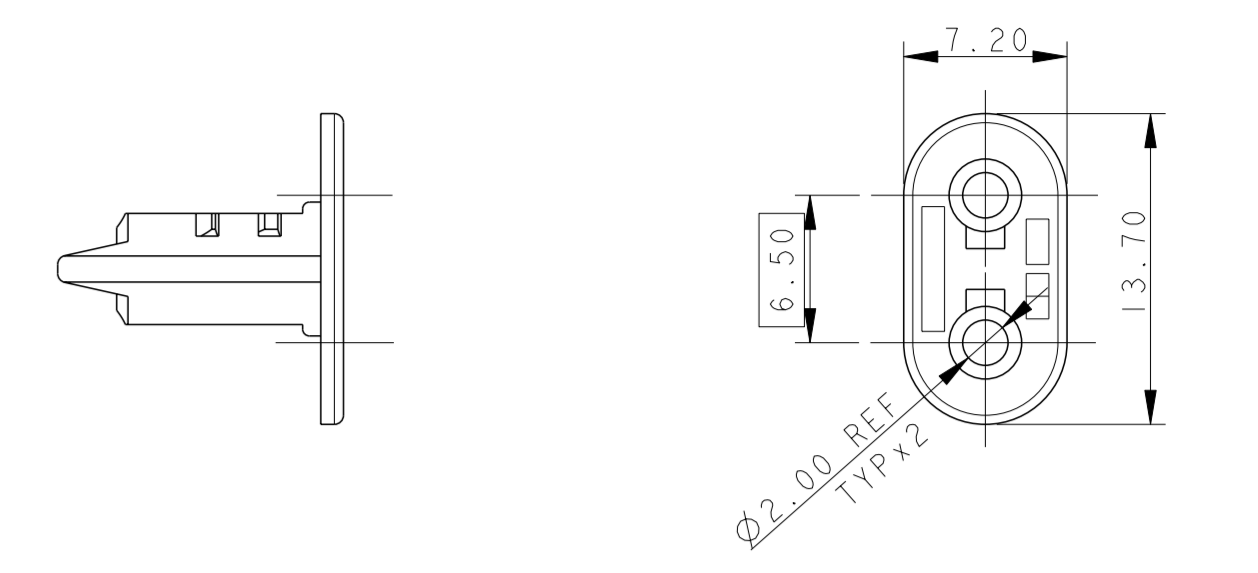
TERMINAL FEMALE	WIRE SEAL	BLIND PLUG
0-1437709-9 (0.22-0.35mm ²) GOLD PLATED		
1-1437709-0 (0.50-1.00mm ²) GOLD PLATED	1-1437713-1 (0.22-0.35) BLACK	
1-1437709-7 (1.50mm ²) GOLD PLATED	1-1437713-2 (0.50-1.00) RED	
1-1437709-4 (0.22-0.35mm ²) TIN PLATED	1-1437713-3 (1.50) BLUE	
1-1437709-5 (0.50-1.00mm ²) TIN PLATED		
1-1437709-6 (1.50mm ²) TIN PLATED		

MATING PARTS

TE PART No.	DESCRIPTION
-	2 WAY FEMALE CONNECTOR WATERPROOF
-	2 WAY FEMALE CONNECTOR NON WATERPROOF

2 SPACER

WATERPROOF (LIGHT BLUE)
 NOT WATERPROOF (RED)



3 SEAL

WATERPROOF

