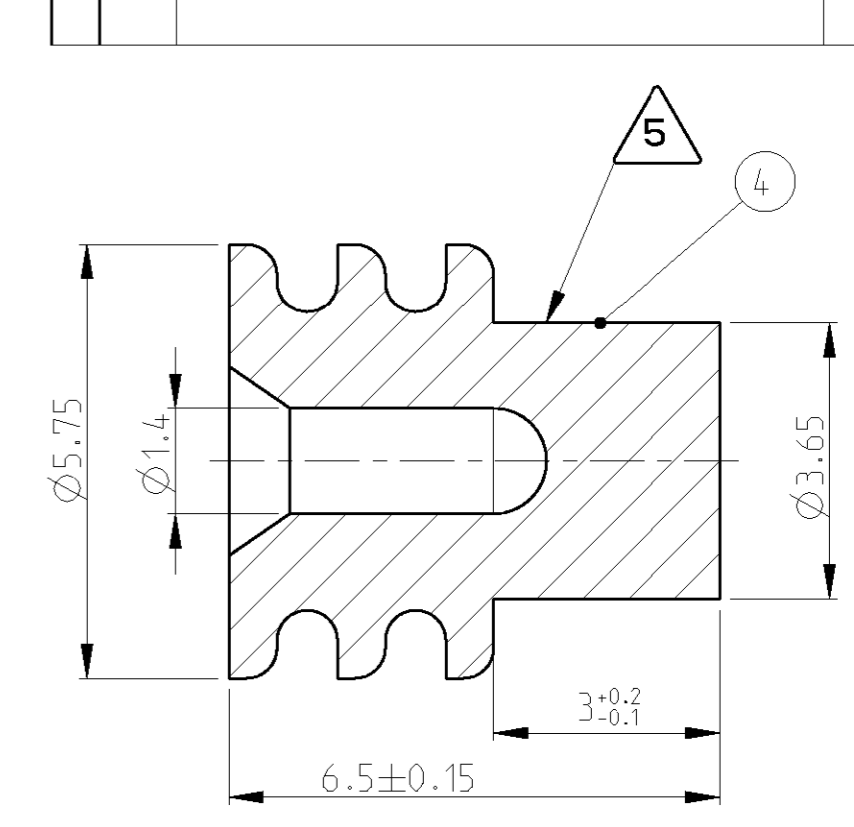
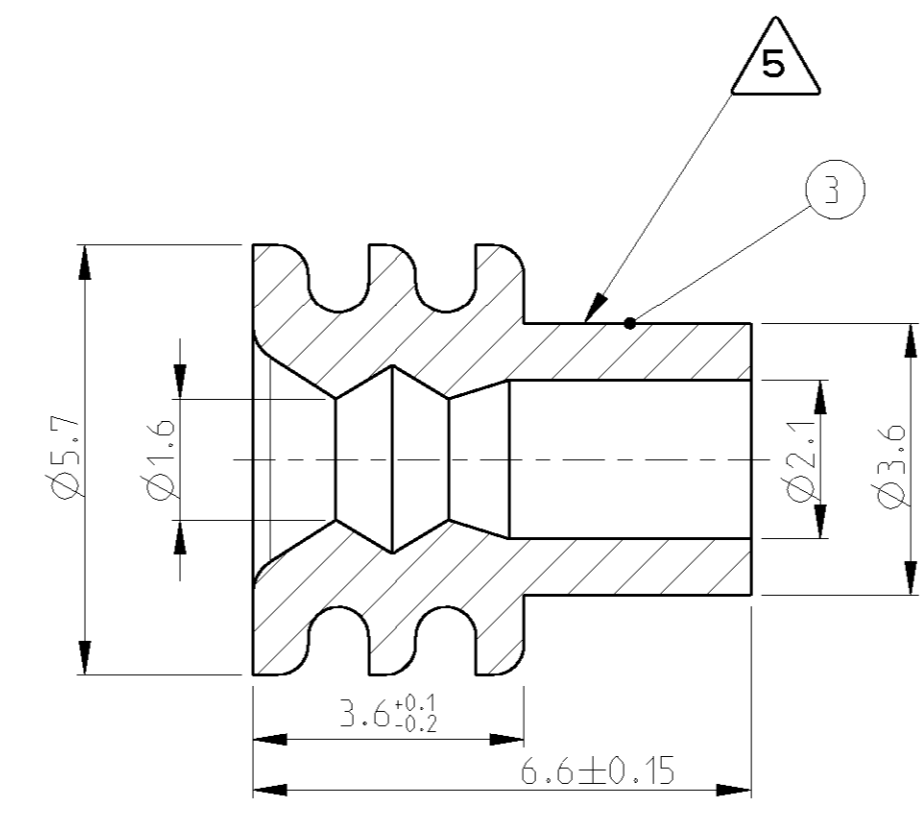
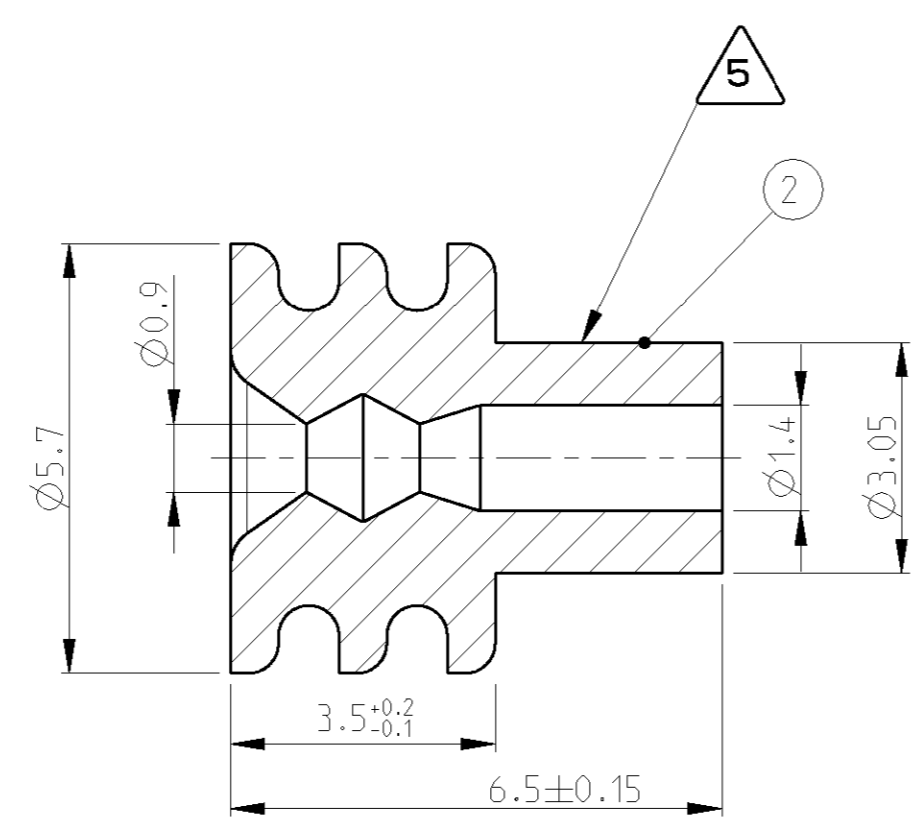
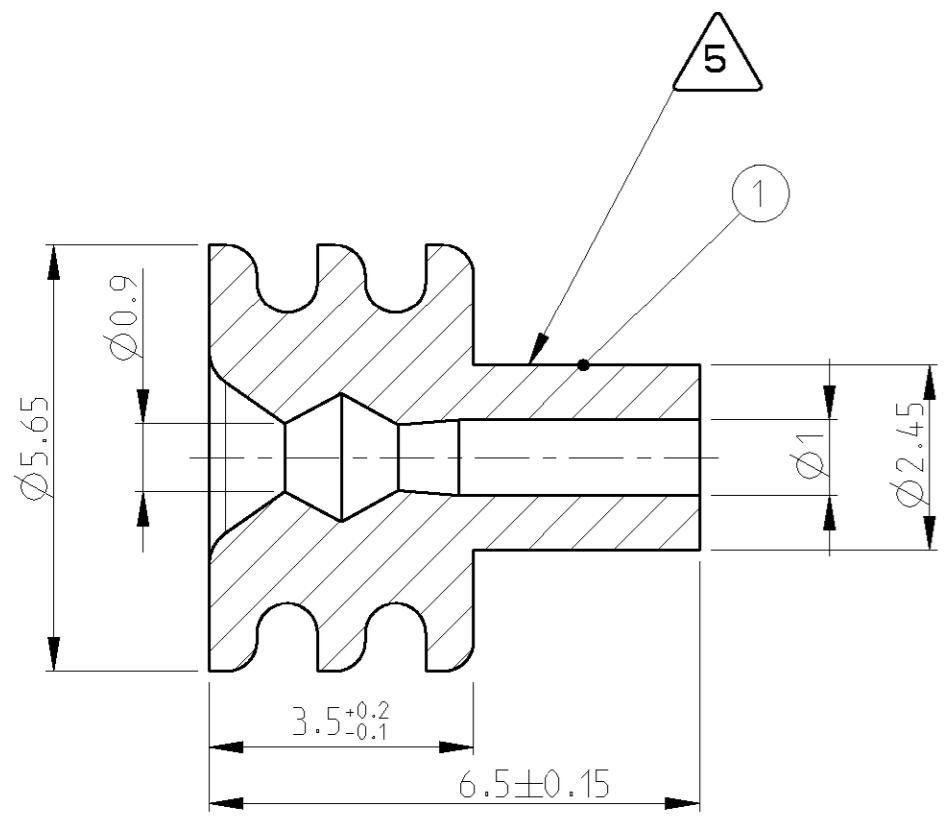


THIS DRAWING IS UNPUBLISHED. RELEASED FOR PUBLICATION 2000
 © COPYRIGHT 2000 BY TYCO ELECTRONICS CORPORATION. ALL RIGHTS RESERVED.

LOC	DIST	REVISIONS					
		P	LTR	DESCRIPTION	DATE	DWN	APVD
A1	-		A	EG00-2668-01	10SEP2001	SS	JE
			A1	EG00-2859-01	20SEP2001	SS	JE



GROMMET, BLACK, 0.22 - 0.35mm ² USED FOR INSULATION DIAMETER 1.2-1.4mm	
T&B UNIVERSAL PART No	106099
TYCO PART No	1-1437713-1
T&B FORD PART No	-
FORD PART No	91AG-10C930-AA
TYCO PART No	1 9-1437714-1

GROMMET, RED, 0.5 - 1.0mm ² USED FOR INSULATION DIAMETER 1.4 - 2.1mm	
T&B UNIVERSAL PART No	106100
TYCO PART No	1-1437713-2
T&B FORD PART No	-
FORD PART No	89FG-10C930-AA
TYCO PART No	2 1-1437708-5

GROMMET, BLUE, 1.5mm ² USED FOR INSULATION DIAMETER 2.2 - 2.4mm	
T&B UNIVERSAL PART No	106101
TYCO PART No	1-1437713-3
T&B FORD PART No	-
FORD PART No	89FG-10C930-BA
TYCO PART No	3 1-1437708-7

BLIND PLUG, WHITE	
T&B UNIVERSAL PART No	106102
TYCO PART No	1-1437713-4
T&B FORD PART No	-
FORD PART No	89FG-10C930-AAA
TYCO PART No	4 1-1437708-8

MATERIAL: SILICON, SELFGREASING/
Werkstoff: Silikon, selbsschmierend

TENSILE STRENGTH: MIN. 6.0N/mm²/DIN 53504 S-2
Zugfestigkeit: min. 6.0 N/mm² /DIN 53504 S-2

ELONGATION: MIN. 375% /DIN 53504 S-2
Reissdehnung: min. 375% /DIN 53504 S-2

HARDNESS: 50+/-5 SHORE A /DIN 53505 MEASURED AT PROOF PLANES
Haerte: 50+/-5 Shore A /DIN 53505 gemessen an Pruefplatten

SEALING RIBS WITHOUT SINK MARKS AND NOTCHES
Dichtrippen ohne Einfallstellen und Kerben

5 INJECTION POINT PERMITTED
Anspritzung zulaessig

A1 **1** OBSOLETE, SUPERSEDED BY 1-1437713-1

A1 **2** OBSOLETE, SUPERSEDED BY 1-1437713-2

A1 **3** OBSOLETE, SUPERSEDED BY 1-1437713-3

A1 **4** OBSOLETE, SUPERSEDED BY 1-1437713-4

TYCO PART NO/ TYCO Teile Nr	WEIGHT/ Gewicht	COLOUR/ Farbe	DESCRIPTION/ Beschreibung	POS/ Pos
1-1437713-1	0.0815g	BLACK/schwarz	GROMMET/ Dichtung 0.22-0.35mm ²	1
1-1437713-2	0.0894g	RED/rot	GROMMET/ Dichtung 0.50-1.00mm ²	2
1-1437713-3	0.0854g	BLUE/blau	GROMMET/ Dichtung 1.5mm ²	3
1-1437713-4	0.1044g	WHITE/weiss	BLIND PLUG/ Blindstopfen	4

<small>THIS DRAWING IS A CONTROLLED DOCUMENT FOR TYCO ELECTRONICS CORPORATION IT IS SUBJECT TO CHANGE AND THE CONTROLLING ENGINEERING ORGANIZATION SHOULD BE CONTACTED FOR THE LATEST REVISION.</small>		DWN S.Storch 10SEP2001 CHK J.Evans 20SEP2001 APVD J.Evans 20SEP2001	tyco Electronics tyco Electronics AMP GmbH D - 64625 Bensheim
DIMENSIONS: mm 		NAME: GROMMET Einzeldrahtdichtung SIZE: A2 CAGE CODE: 00779 DRAWING NO: 1418068 RESTRICTED TO: -	
TOLERANCES UNLESS OTHERWISE SPECIFIED: 0 PLC ± 1 PLC ±0.1 2 PLC ±0.1 3 PLC ± 4 PLC ± ANGLES ±° FINISH -		PRODUCT SPEC: - APPLICATION SPEC: - WEIGHT: - SCALE: 5:1 SHEET 1 OF 1 REV A1	
MATERIAL: -		CUSTOMER DRAWING	