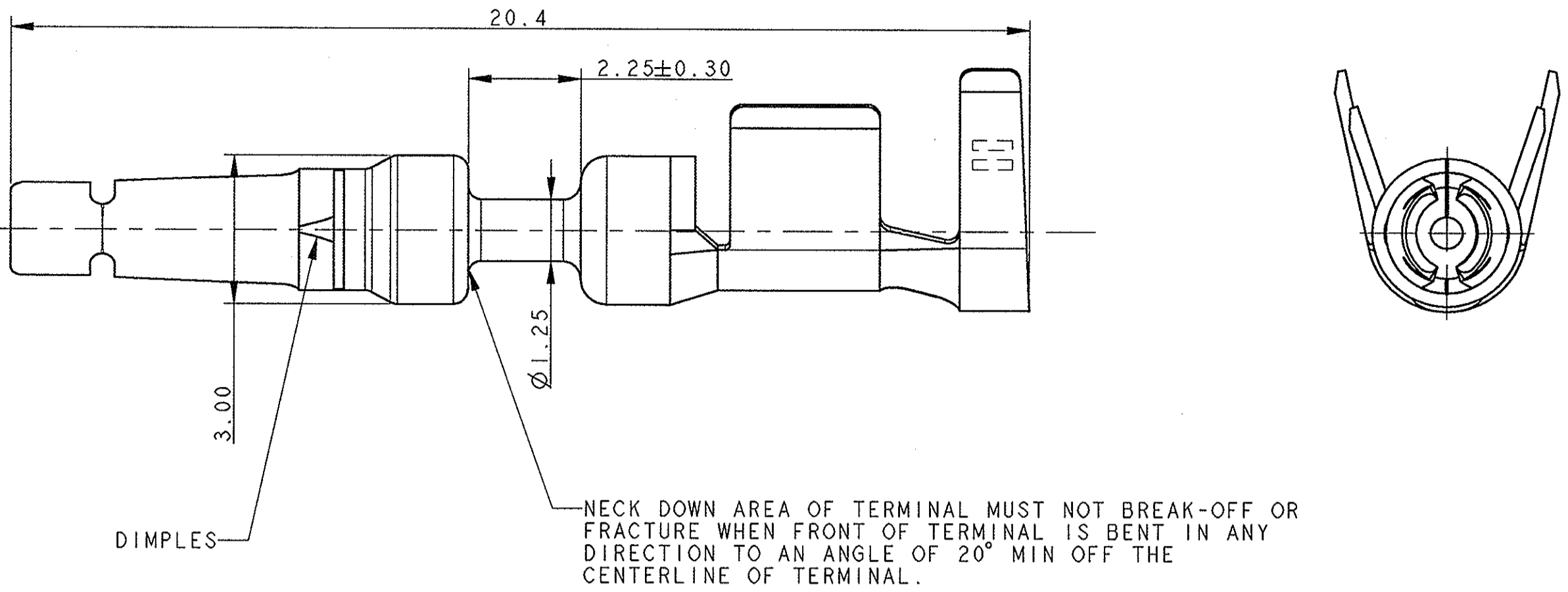


LOC	DIST	REVISIONS				
A1	-	P	DATE	OWN	APPR	
		P	REVISD AND REDRAWN FOR ECR-07-014697	02JUL2007	M. P.	R. M.
		P1	REVISD PER ECO-19-008278	30MAY19	AP	VN
		P2	REVISD PER ECN-22-179551	14OCT2022	AP	VN

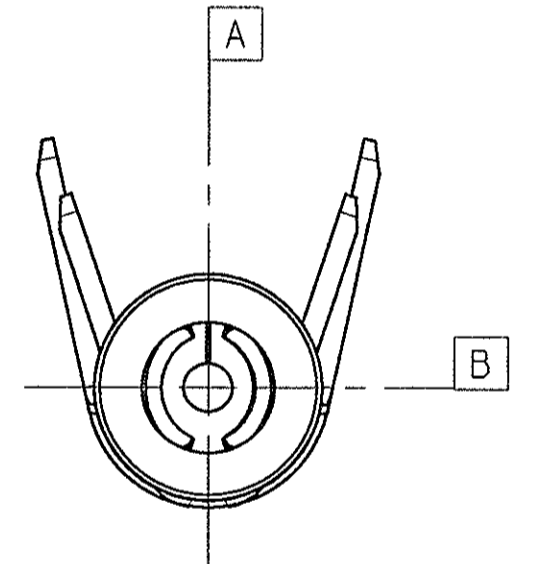
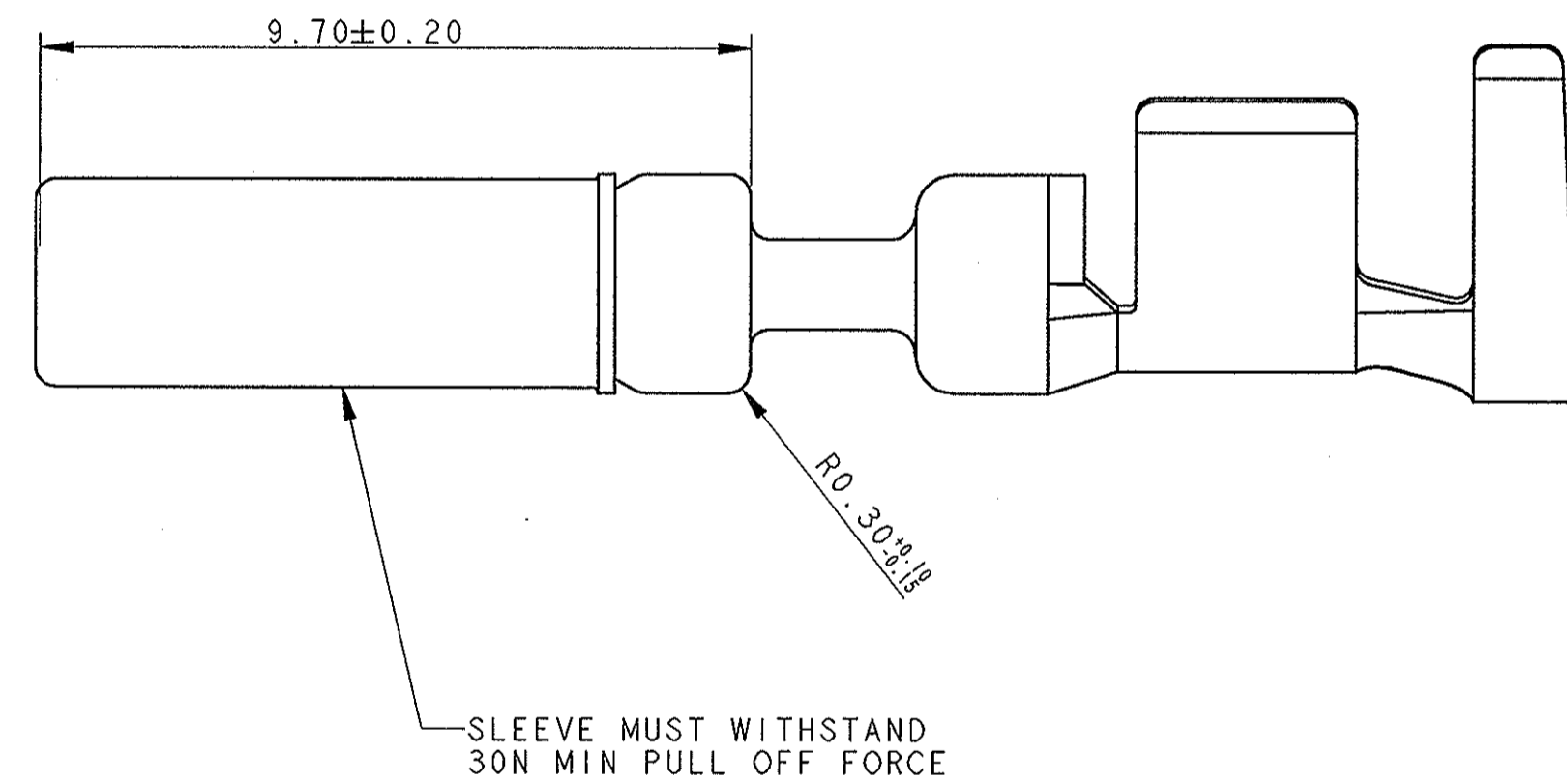
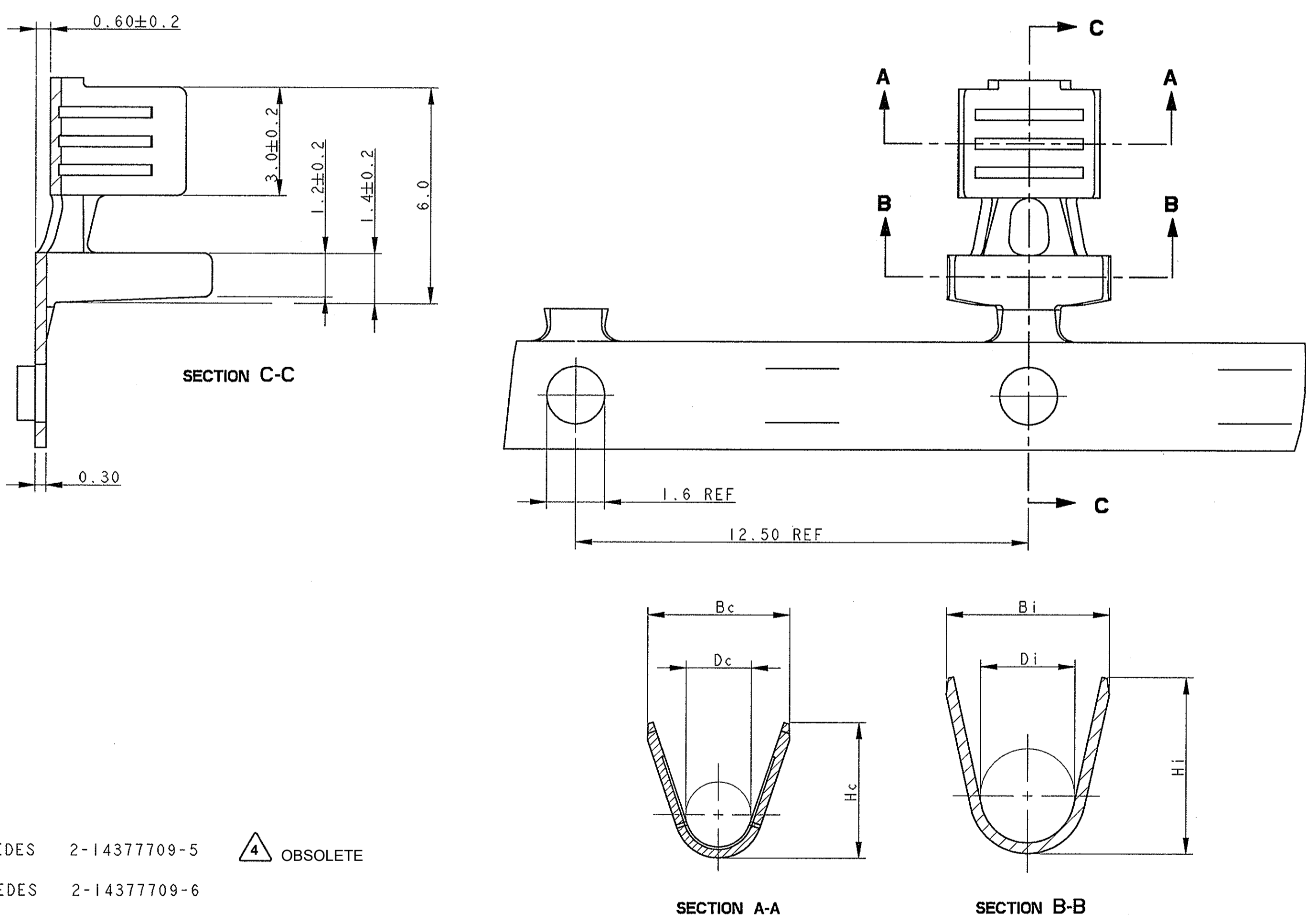
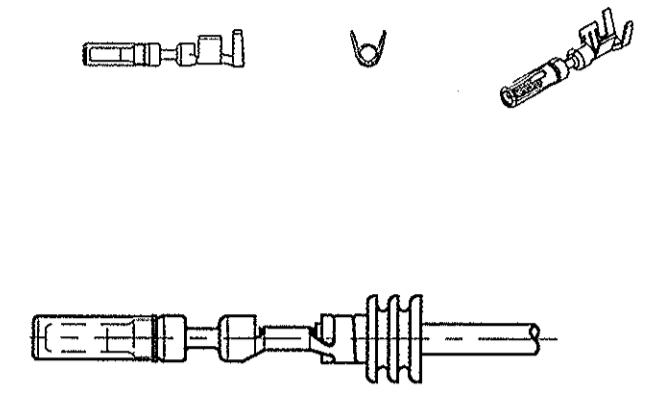


VIEW WITHOUT SLEEVE

CRIMP TYPE	B _c	D _c	H _c	B _i	D _i	H _i	CRIMP CODE
c	3.70 ±0.15	1.80 ±0.2	3.90 ±0.15	4.70 ±0.15	2.60 ±0.2	4.90 ±0.15	☐
b	2.60 ±0.15	1.20 ±0.2	2.90 ±0.15	3.60 ±0.15	2.00 ±0.2	4.00 ±0.15	☐
d	2.00 ±0.15	0.80 ±0.2	2.20 ±0.15	2.80 ±0.15	1.60 ±0.2	3.00 ±0.15	☐

FULL SIZE VIEWS
SCALE 1.000

FULL ASSY VIEW
WATERPROOF
SCALE 2.000



- 1 SUPSEDES 2-1437709-5 4 OBSOLETE
- 2 SUPSEDES 2-1437709-6
- 3 SUPSEDES 2-1437709-7

PART AS SUPPLIED							COMPONENTS			MATERIALS			COMPONENTS SUPPLIED APART		TO FIT IN CAVITY	
P/N	PART REV.	DESCRIPTION	WATERPROOF	WIRE CROSS SEC. AREA	CRIMP CODE	CRIMP SPEC.	WEIGHT	TERMINAL	SLEEVE	WIRE SEAL	TERMINAL	SLEEVE	GREASE	WIRE SEAL	TYPE	DESCRIPTION
1-1437709-4		TERMINAL FEMALE TIN PLT.		0.22-0.35mm ²	☐		0.402gr.	I	I	SEE CHART			LITHIUM SOAP ZINC OXIDE	1-1437713-1 (0.22-0.35) BLACK	AC/T/19/95	CAVITY TERMINAL FEMALE
1-1437709-5	B	TERMINAL FEMALE TIN PLT.	YES	0.50-1.00mm ²	☐		0.422gr.	I	I				1-1437713-2 (0.50-1.00) RED			
1-1437709-6		TERMINAL FEMALE TIN PLT.		1.50-2.50mm ²	☐		0.443gr.	I	I				1-1437713-3 (1.50) BLUE			
1-1437709-4	B	TERMINAL FEMALE TIN PLT.		0.22-0.35mm ²	☐	AC/T/18/95	0.402gr.	I	I	NOT USED			WITHOUT GREASE			
2-1437709-8	P	TERMINAL FEMALE TIN PLT.		0.50-1.00mm ²	☐		0.422gr.	I	I				LITHIUM SOAP ZINC OXIDE			
1-1437709-5	B	TERMINAL FEMALE TIN PLT.	NO	0.50-1.00mm ²	☐		0.422gr.	I	I							
1-1437709-6	B	TERMINAL FEMALE TIN PLT.		1.50-2.50mm ²	☐		0.443gr.	I	I							

THIS DRAWING IS A CONTROLLED DOCUMENT FOR THE PROPRIETARY ORGANIZATION OF TYCO ELECTRONICS CORPORATION. IT IS SUBJECT TO CHANGE AND THE COMPANY ASSUMES NO LIABILITY FOR THE USE OF THIS DRAWING FOR OTHER THAN THE ORIGINAL INTENDED PURPOSE.

DATE: 20JUN2007
 DWN: M. PALMA
 CHK: R. MARTINI
 APVD: A. GENTA

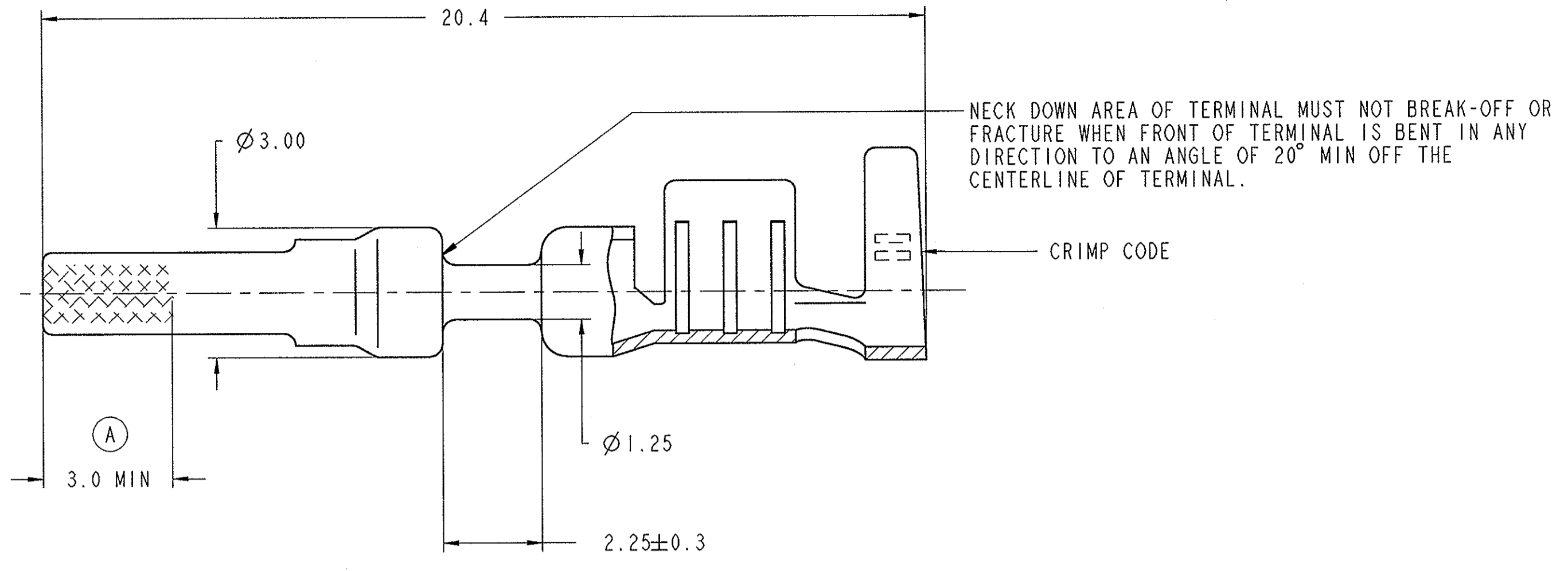
PRODUCT SPEC: 108-20260
 APPLICATION SPEC: 114-20121

SIZE: A1
 CAGE CODE: 00779
 DRAWING NO: 1418069

SCALE: 10:1
 SHEET: 1 of 2
 REV: P2

CUSTOMER DRAWING

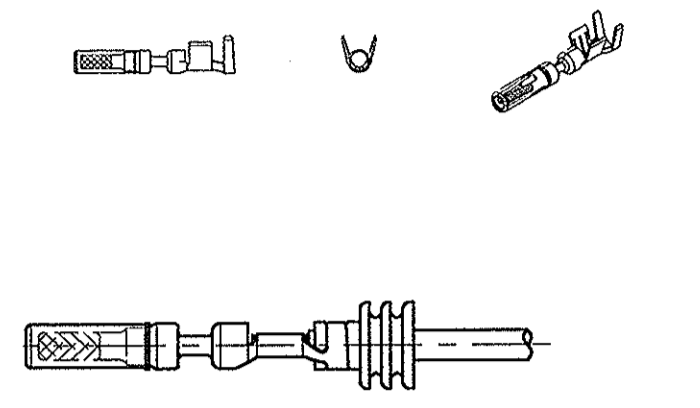
LOC	DIST	REV	DESCRIPTION	DATE	DRN	APVD
A1	-	-	-SEE SHEET 1-	-	-	-



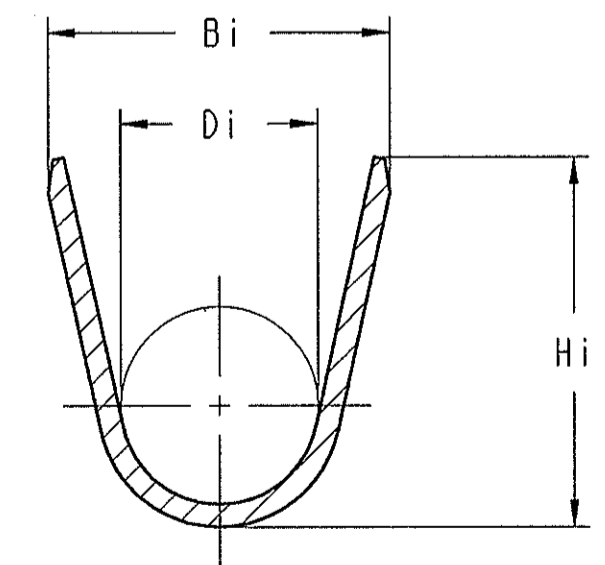
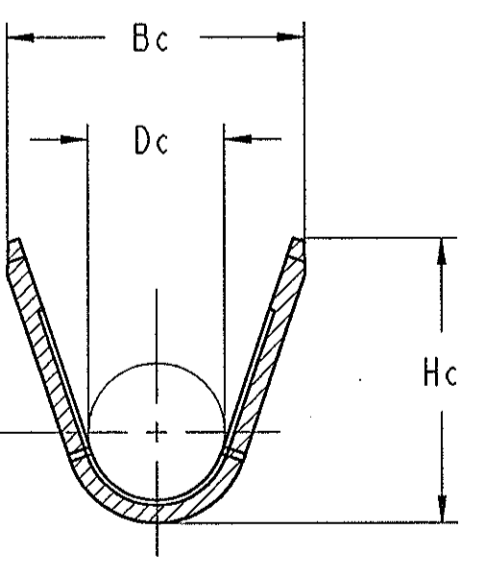
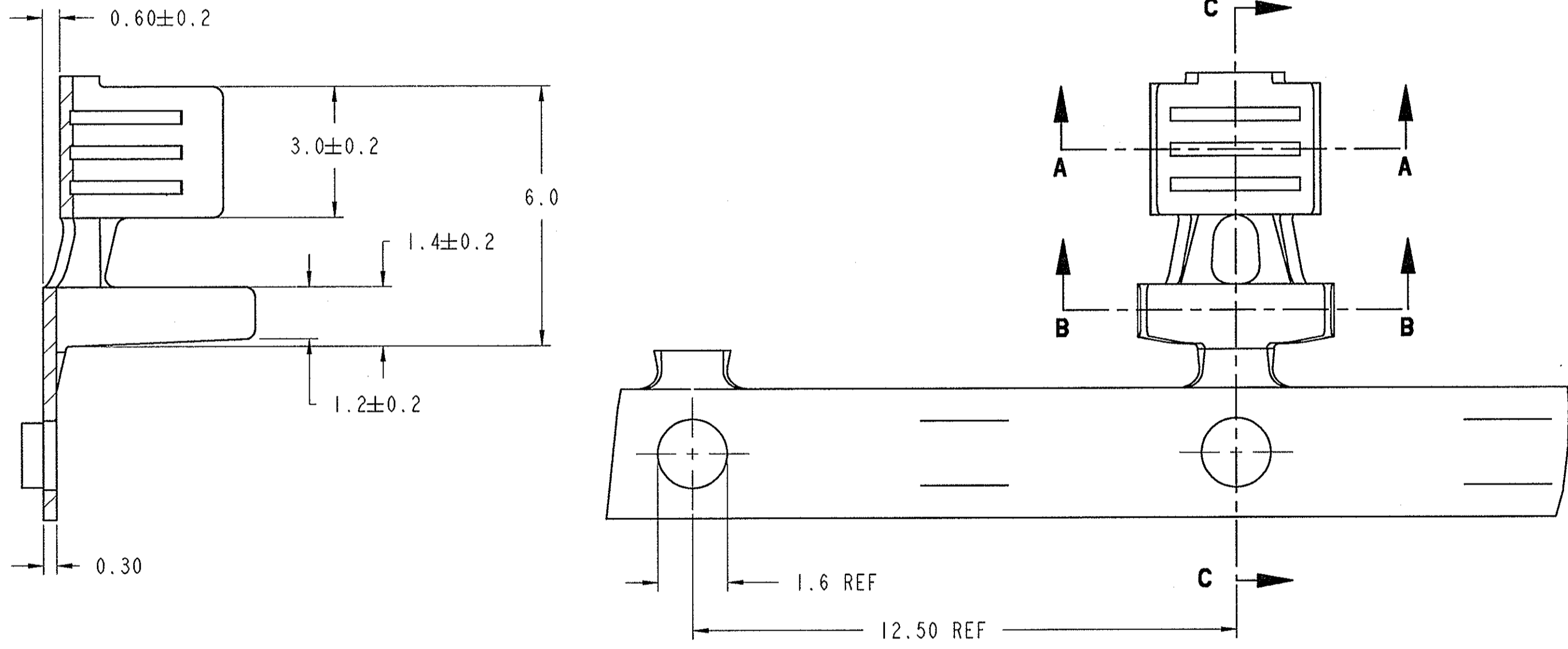
CRIMP TYPE	CRIMP AREA DIMENSION						CRIMP CODE	
	Bc	Dc	Hc	Bi	Di	Hi		
I	c	3.70 ±0.15	1.80 ±0.2	3.90 ±0.15	4.70 ±0.15	2.60 ±0.2	4.90 ±0.15	
	b	2.60 ±0.15	1.20 ±0.2	2.90 ±0.15	3.60 ±0.15	2.00 ±0.2	4.00 ±0.15	
a	2.00 ±0.15	0.80 ±0.2	2.20 ±0.15	2.80 ±0.15	1.60 ±0.2	3.00 ±0.15		

FULL SIZE VIEWS
SCALE 1.000

FULL ASSY VIEW WATERPROOF
SCALE 2.000

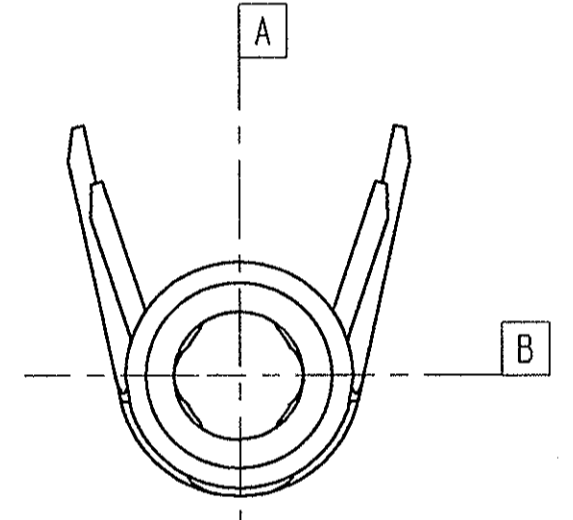
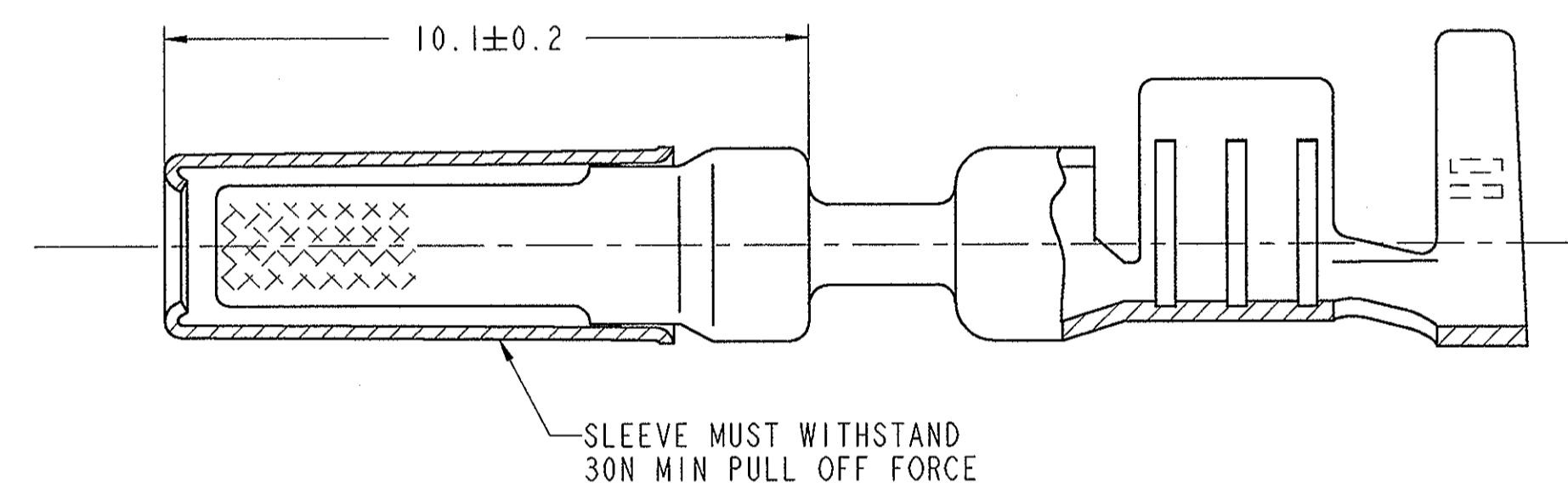


SECTION C-C



SECTION A-A

SECTION B-B



- 1 SUPERSEDES 2-1437709-0
- 2 SUPERSEDES 2-1437709-1
- 3 1-1437709-7 - OBSOLETE

PART AS SUPPLIED							COMPONENTS			MATERIALS			COMPONENTS SUPPLIED APART		TO FIT IN CAVITY	
P/N	PART REV.	DESCRIPTION	WATERPROOF	WIRE CROSS SEC. AREA	CRIMP CODE	CRIMP SPEC.	WEIGHT	TERMINAL	SLEEVE	WIRE SEAL	TERMINAL	SLEEVE	GREASE	WIRE SEAL	TYPE	DESCRIPTION
0-1437709-9		TERMINAL FEMALE GOLD PLT.		0.22-0.35mm ²			0.402gr.	I	I	SEE CHART	DIN 17670 (CuSn6)	ALLOY 230 RICH LOW BRASS	INORGANIC GELLED SYNTHETIC HYDROCARBON OIL	1-1437713-1 (0.22-0.35) BLACK	AC/T/19/95	CAVITY TERMINAL FEMALE
1-1437709-0	A	TERMINAL FEMALE GOLD PLT.	YES	0.50-1.00mm ²		AC/T/18/95	0.422gr.	I	I		1-1437713-2 (0.50-1.00) RED					
1-1437709-7		TERMINAL FEMALE GOLD PLT.		1.50-2.50mm ²			0.443gr.	I	I		1-1437713-3 (1.50) BLUE					
0-1437709-9		TERMINAL FEMALE GOLD PLT.		0.22-0.35mm ²			0.402gr.	I	I	NOT USED	(A)	TIN PLATED MATTE				
1-1437709-0	A	TERMINAL FEMALE GOLD PLT.	NO	0.50-1.00mm ²		AC/T/18/95	0.422gr.	I	I							
1-1437709-7		TERMINAL FEMALE GOLD PLT.		1.50-2.50mm ²			0.443gr.	I	I							

DIMENSIONS: 		TOLERANCES UNLESS OTHERWISE SPECIFIED: 0 PLC ± 1 PLC ±0.3 2 PLC ±0.1 3 PLC ± 4 PLC ± ANGLE ±1° FINISH -		OWN: M. PALMA CHK: R. MARTINI APVD: A. GENTA DATE: 20 JUN 2007 PRODUCT SPEC: 108-20260 APPLICATION SPEC: 114-20121 WEIGHT: - CUSTOMER DRAWING	DATE: 20 JUN 2007 NAME: SIZE: A1 CAGE CODE: 00779 DRAWING NO: 1418069 RESTRICTED TO: - SCALE: 10:1 SHEET: 2 OF 2 REV: P2	TE Connectivity 1,6 SYSTEM TERMINAL FEMALE GOLD PLATED
-----------------	--	--	--	--	--	---