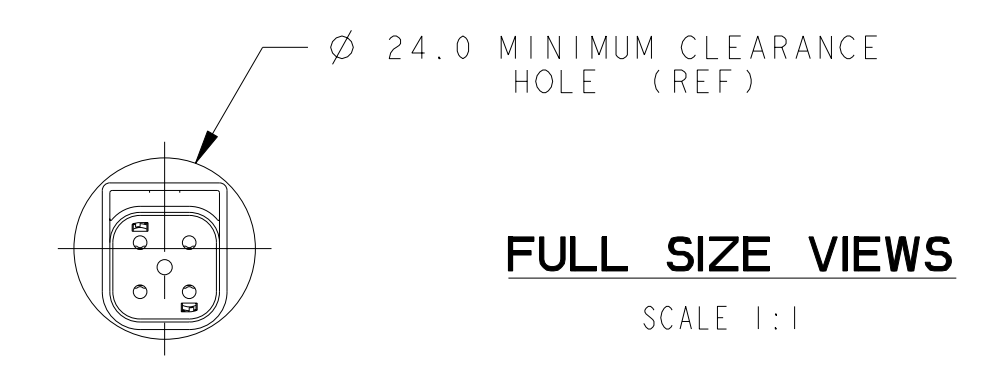
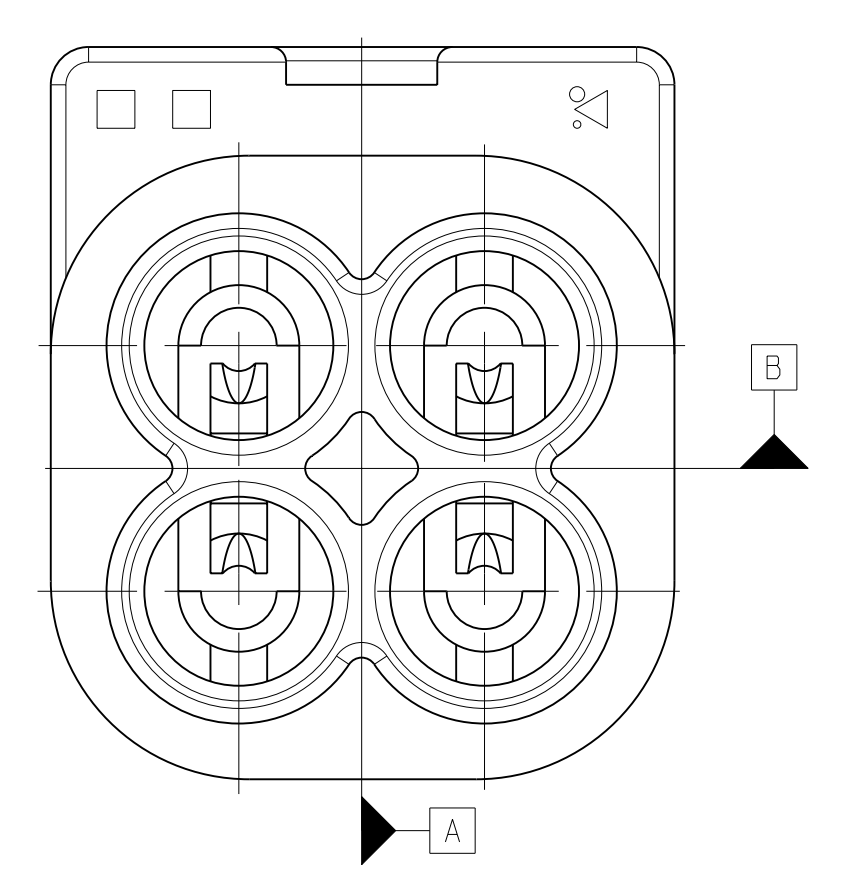
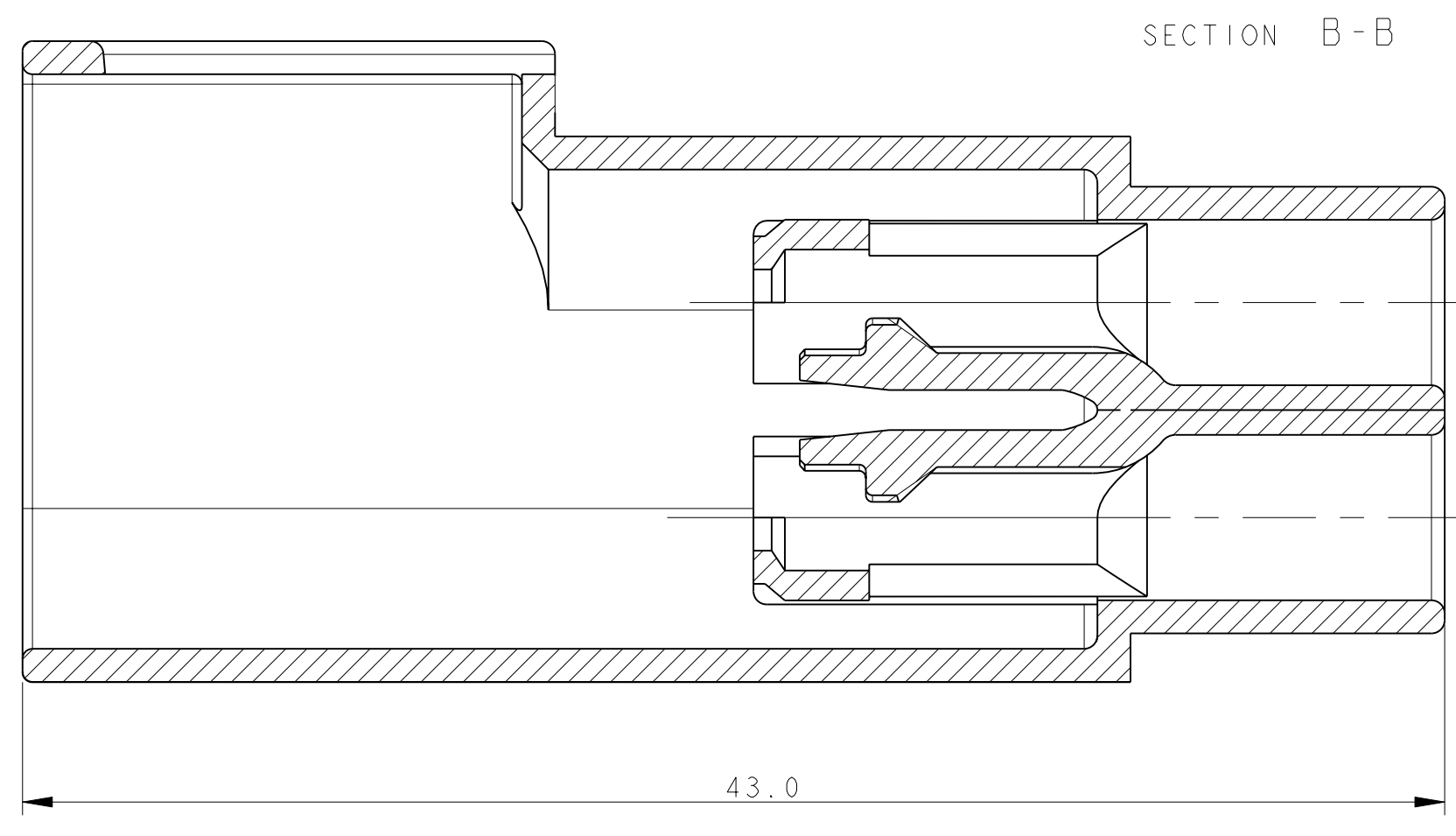
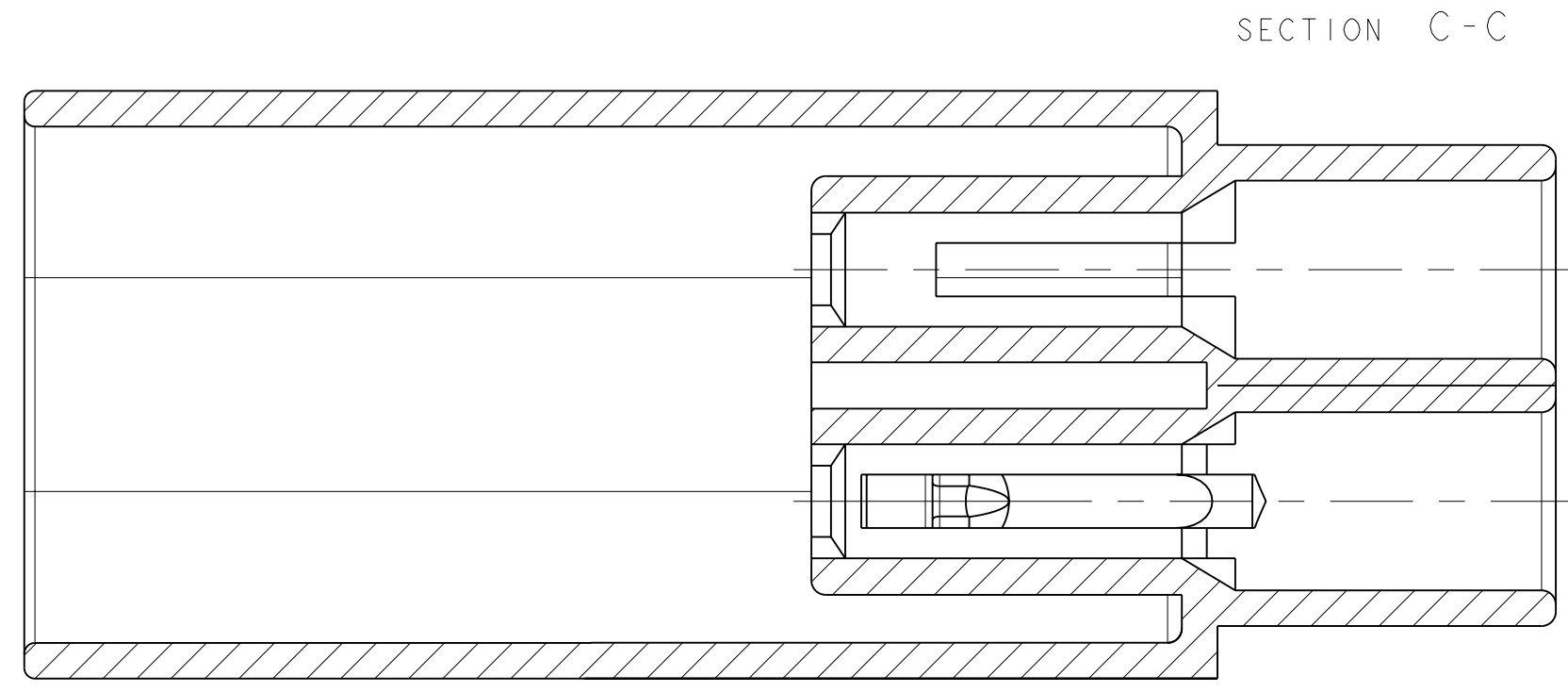
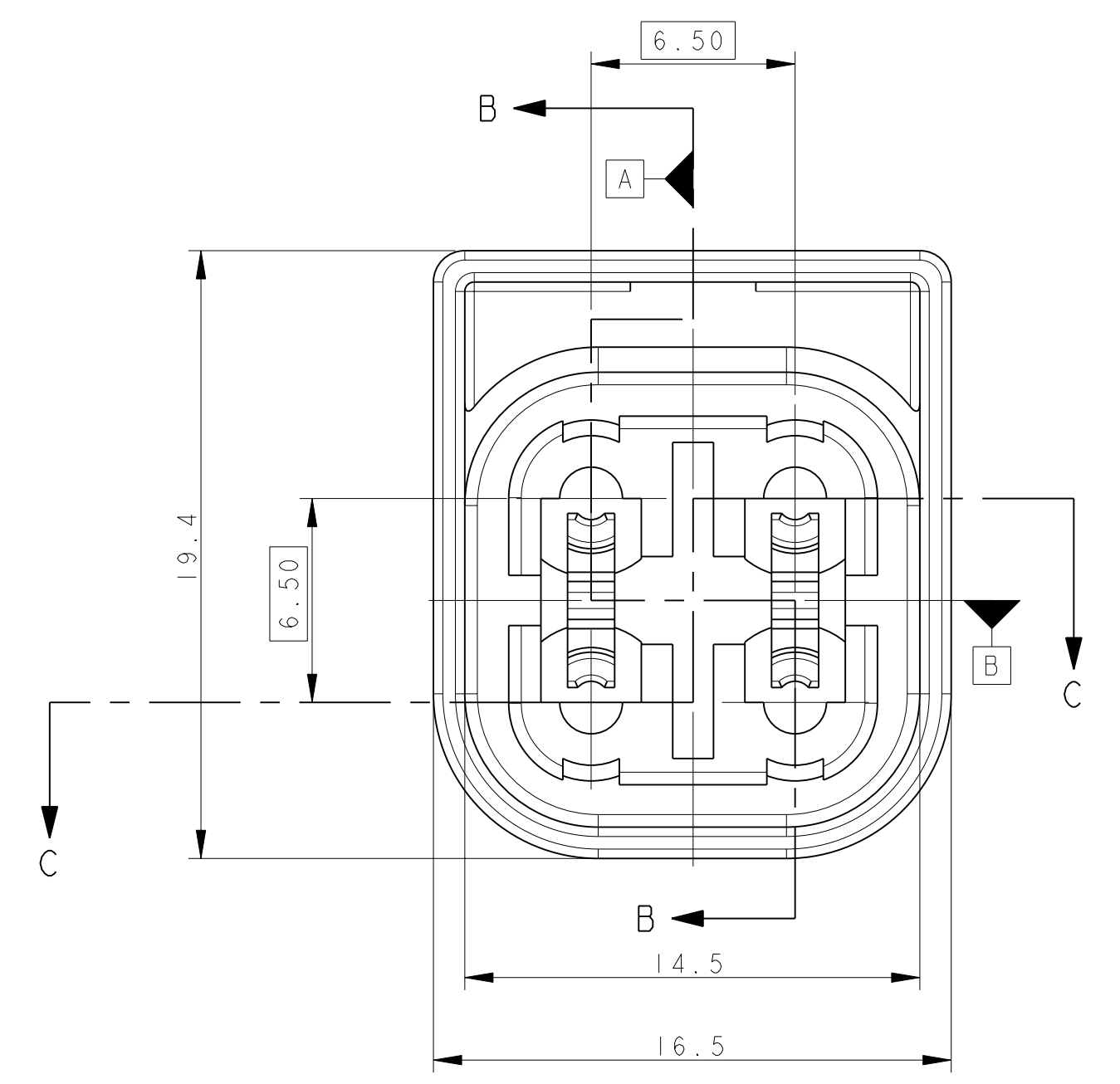


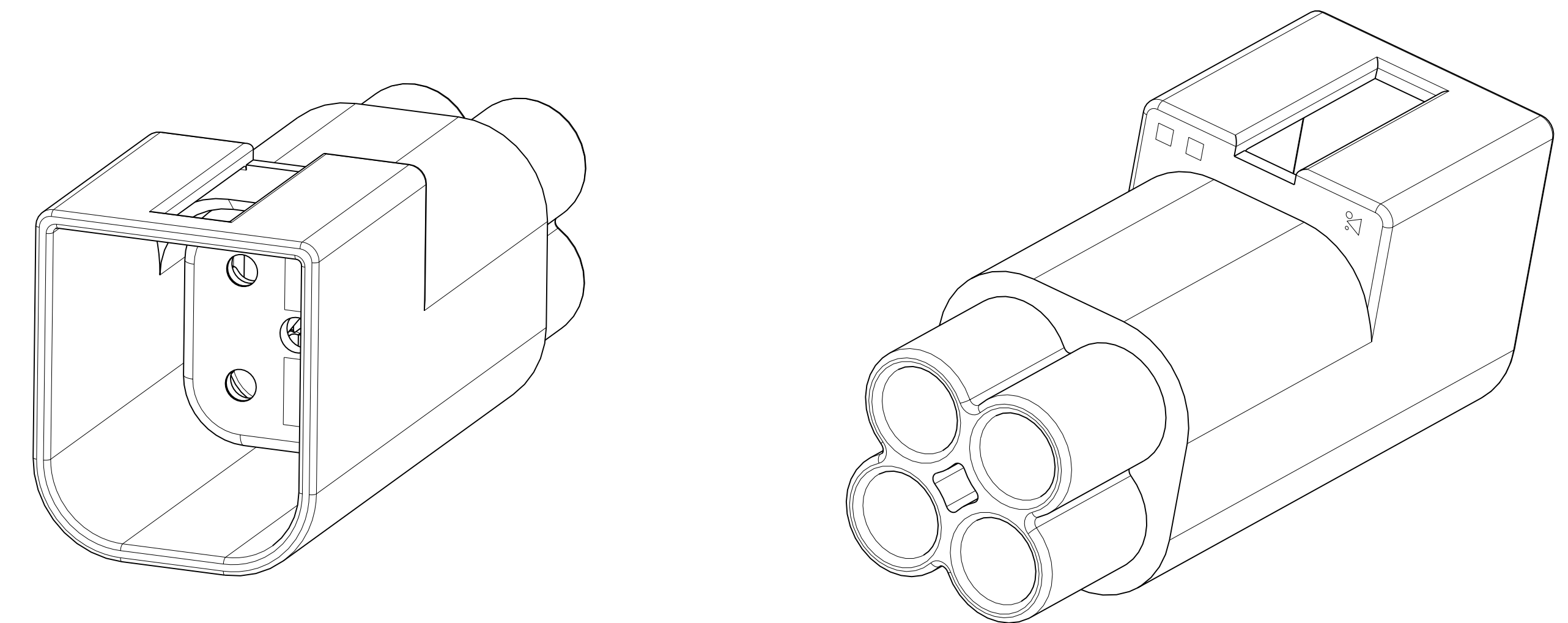
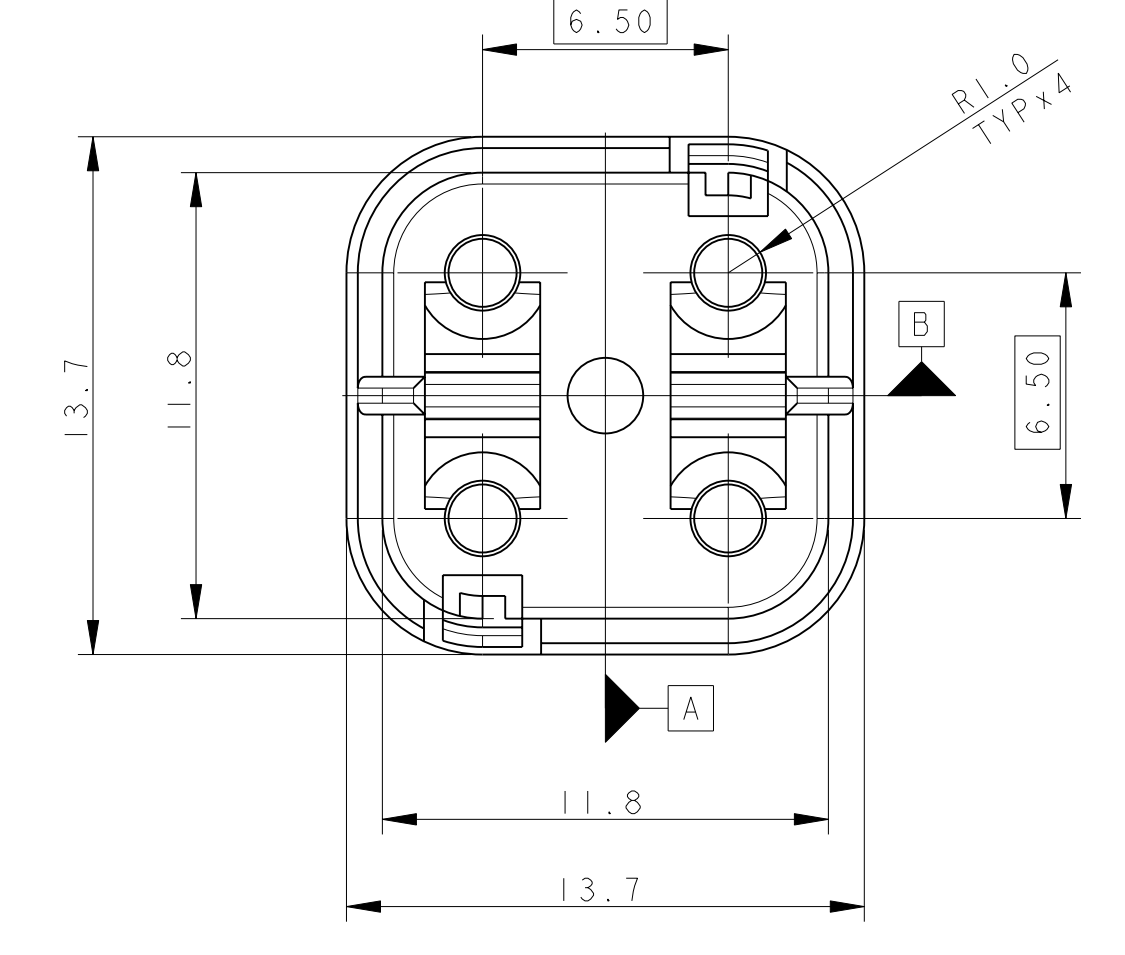
REVOLUTIONS					
P.	LIN.	DESCRIPTION	DATE	BY	APPD.
A		EG00-2024-01 NEW DRAWING	21FEB2006	SS	JE
A1		REDRAWN AND REVISED FOR ECR 06-003008	21FEB2004	M.P.	R.M.
A2		REDRAWN AND REVISED FOR ECR-07-022325	27MAY2004	D.S.	R.M.

1 HOUSING
 WATERPROOF / NON WATERPROOF



HOUSING FEMALE

2 SPACER



	DESCRIPTION	ITEM
	HOUSING COLOUR BLACK	1
	HOUSING COLOUR NATURAL	1
	HOUSING COLOUR YELLOW	1
	SPACER COLOUR RED	2

4 WAYS FEMALE, BLACK		TYPE
ASSEMBLY		
T&B UNIVERSAL PART No.	106057 / 106058	-
TYCO ELECTRONICS PART No.	3-1437712-0	-
T&B FORD PART No.	NPIYA-0004XX	-
FORD PART No.	89FG-14A624-ADB	WATERPROOF
TYCO ELECTRONICS PART No.	3-1437712-3	-
T&B FORD PART No.	NPIYA-0A04XX	-
FORD PART No.	89FG-14A459-ADB	NON WATERPROOF
TYCO ELECTRONICS PART No.	3-1437712-3	-

△ OBSOLETE, SUPERSEDED BY 3-1437712-3

4 WAYS FEMALE, NATURAL		TYPE
ASSEMBLY		
T&B UNIVERSAL PART No.	-	-
TYCO ELECTRONICS PART No.	3-1437712-4	-
T&B FORD PART No.	NPIYA-N004XX	-
FORD PART No.	-	WATERPROOF
TYCO ELECTRONICS PART No.	3-1437712-4	-
T&B FORD PART No.	-	-
FORD PART No.	-	NON WATERPROOF
TYCO ELECTRONICS PART No.	-	-

4 WAYS FEMALE, YELLOW		TYPE
ASSEMBLY		
T&B UNIVERSAL PART No.	-	-
TYCO ELECTRONICS PART No.	3-1437712-5	-
T&B FORD PART No.	-	-
FORD PART No.	-	WATERPROOF
TYCO ELECTRONICS PART No.	3-1437712-5	-
T&B FORD PART No.	-	-
FORD PART No.	-	NON WATERPROOF
TYCO ELECTRONICS PART No.	-	-

PART AS SUPPLIED				COMPONENTS		COLOURS		MATERIALS	
TYCO ELECTRONICS PART No.	DESCRIPTION	WATERPROOF	WEIGHT	1 HOUSING	2 SPACER	1 HOUSING	2 SPACER	1 HOUSING	2 SPACER
3-1437712-3	4 WAY FEMALE CONNECTOR	YES	5.6 gr.	1	1	BLACK	RED	PBTP 33% GF	PBTP 33% GF
	4 WAY FEMALE CONNECTOR	NO	5.6 gr.	1	1				

SUITABLE FOR		
TERMINAL MALE	WIRE SEAL	BLIND PLUG
0-1437709-6 (0.22-0.35mm ²) GOLD PLATED 0-1437709-7 (0.50-1.00mm ²) GOLD PLATED	1-1437713-1 (0.22-0.35) BLACK 1-1437713-2 (0.50-1.00) RED 1-1437713-3 (1.50) BLUE	1-1437713-4
1-1437709-1 (0.22-0.35mm ²) TIN PLATED 1-1437709-2 (0.50-1.00mm ²) TIN PLATED 1-1437709-3 (1.50mm ²) TIN PLATED		

MATING PARTS	
TYCO ELECTRONICS PART No.	DESCRIPTION
8-1437710-4	4 WAY MALE CONNECTOR
8-1437710-5	4 WAY MALE CONNECTOR WITH RETAINER
8-1437710-6	4 WAY MALE CONNECTOR
8-1437710-7	4 WAY MALE CONNECTOR WITH RETAINER

PART AS SUPPLIED				COMPONENTS		COLOURS		MATERIALS	
TYCO ELECTRONICS PART No.	DESCRIPTION	WATERPROOF	WEIGHT	1 HOUSING	2 SPACER	1 HOUSING	2 SPACER	1 HOUSING	2 SPACER
3-1437712-4	4 WAY FEMALE CONNECTOR	YES	5.6 gr.	1	1	NATURAL	RED	PBTP 33% GF	PBTP 33% GF
	4 WAY FEMALE CONNECTOR	NO	5.6 gr.	1	1				

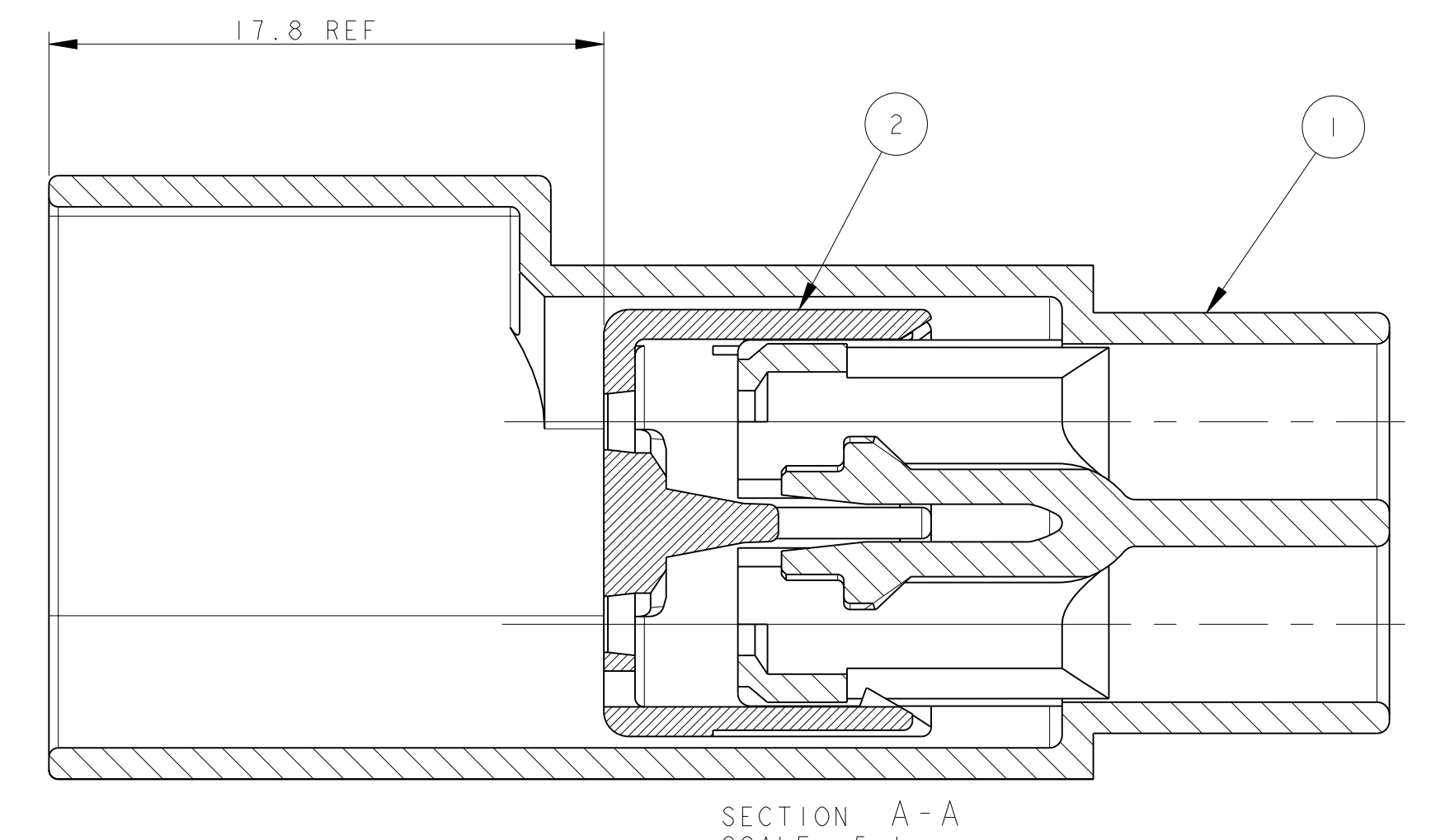
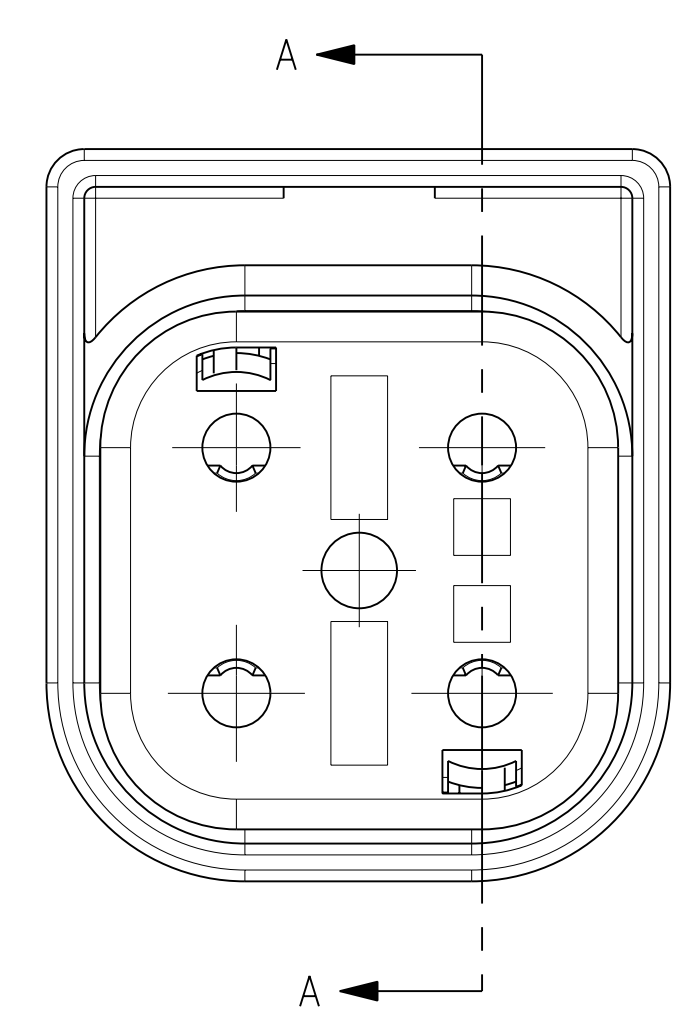
SUITABLE FOR		
TERMINAL MALE	WIRE SEAL	BLIND PLUG
0-1437709-6 (0.22-0.35mm ²) GOLD PLATED 0-1437709-7 (0.50-1.00mm ²) GOLD PLATED	1-1437713-1 (0.22-0.35) BLACK 1-1437713-2 (0.50-1.00) RED 1-1437713-3 (1.50) BLUE	1-1437713-4
1-1437709-1 (0.22-0.35mm ²) TIN PLATED 1-1437709-2 (0.50-1.00mm ²) TIN PLATED 1-1437709-3 (1.50mm ²) TIN PLATED		

MATING PARTS	
TYCO ELECTRONICS PART No.	DESCRIPTION
-	4 WAY MALE CONNECTOR
8-1437710-9	4 WAY MALE CONNECTOR WITH RETAINER
-	4 WAY MALE CONNECTOR
-	4 WAY MALE CONNECTOR WITH RETAINER

PART AS SUPPLIED				COMPONENTS		COLOURS		MATERIALS	
TYCO ELECTRONICS PART No.	DESCRIPTION	WATERPROOF	WEIGHT	1 HOUSING	2 SPACER	1 HOUSING	2 SPACER	1 HOUSING	2 SPACER
3-1437712-5	4 WAY FEMALE CONNECTOR	YES	5.6 gr.	1	1	YELLOW	RED	PBTP 33% GF	PBTP 33% GF
	4 WAY FEMALE CONNECTOR	NO	5.6 gr.	1	1				

SUITABLE FOR		
TERMINAL MALE	WIRE SEAL	BLIND PLUG
0-1437709-6 (0.22-0.35mm ²) GOLD PLATED 0-1437709-7 (0.50-1.00mm ²) GOLD PLATED	1-1437713-1 (0.22-0.35) BLACK 1-1437713-2 (0.50-1.00) RED 1-1437713-3 (1.50) BLUE	1-1437713-4
1-1437709-1 (0.22-0.35mm ²) TIN PLATED 1-1437709-2 (0.50-1.00mm ²) TIN PLATED 1-1437709-3 (1.50mm ²) TIN PLATED		

MATING PARTS	
TYCO ELECTRONICS PART No.	DESCRIPTION
-	4 WAY MALE CONNECTOR
-	4 WAY MALE CONNECTOR WITH RETAINER
-	4 WAY MALE CONNECTOR
-	4 WAY MALE CONNECTOR WITH RETAINER



AS SHIPPED FOR WIRE ASSEMBLY (SPACER IN PRIMARY LATCH POSITION)

- NOTES UNLESS OTHERWISE SPECIFIED:
 1) SEE CHART FOR MATING PART NUMBERS.
 2) THE CONNECTOR IS DESIGNED TO PASS THROUGH A Ø 24.0mm MIN. HOLE

DATE: 21FEB2006	BY: M. PALM	APPD: 21FEB2006	TYCO ELECTRONICS	TYCO ELECTRONICS AMP - Italia S.p.A.
DATE: 21FEB2006	BY: M. MARTINI	APPD: 21FEB2006		C.so F.lli. Cerri 15, Galligo (TO)
DATE: 21FEB2006	BY: G. GENTILE	APPD: 21FEB2006		
DIMENSIONS: 0 P/PC 0.1	TOLERANCES UNLESS OTHERWISE SPECIFIED: 0.1 P/PC 0.3 0.1 P/PC 0.1 0.1 P/PC 0.1	PRODUCT SPEC: 108-20269	APPLICATION SPEC: 411-20111	SIZE: CASE CODE: DRAWING NO: 00779 ©=1418074
MATERIAL: SEE TABLE	FINISH: SEE TABLE	REWORK: SEE TABLE	CUSTOMER DRAWING: A0	RESTRICTED TO: -