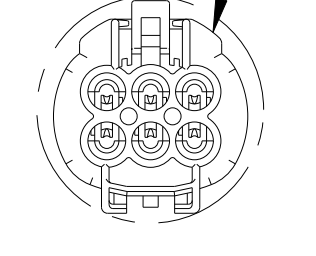


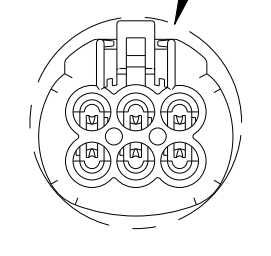
REV	DATE	DESCRIPTION	BY	CHKD	APPD
A1	EG00-2683-01				
A2	EG00-3705-01	DRW REVISED, SEALS UPDATED			
A3	EG00-0399-02	ADD NATURAL VERSION			
A4	REDRAWN REVISED FOR ECR06-003008				
A5	REDRAWN FOR ECR-08-011583				

Ø29.00 MINIMUM CLEARANCE HOLE (REF)



HOUSING MALE WITH RETAINER

Ø27.00 MINIMUM CLEARANCE HOLE (REF)

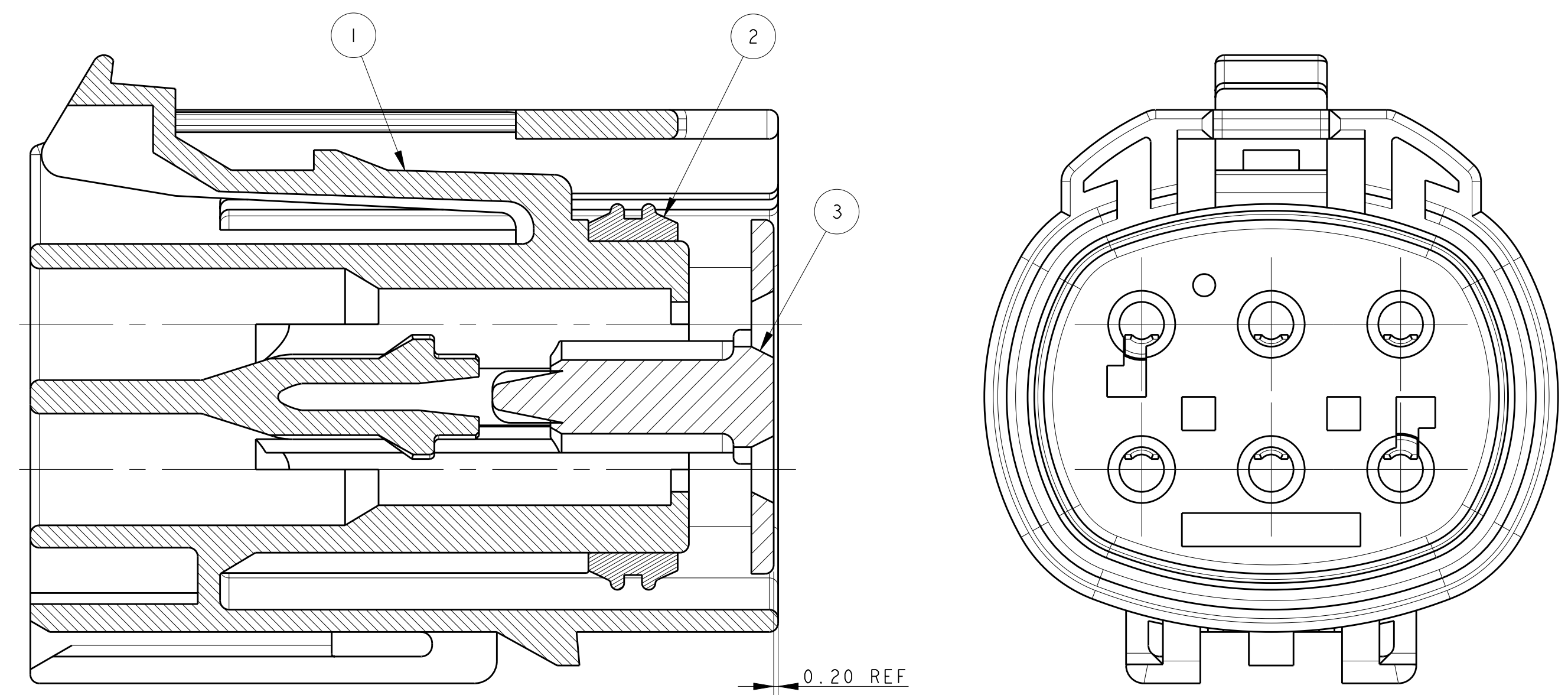
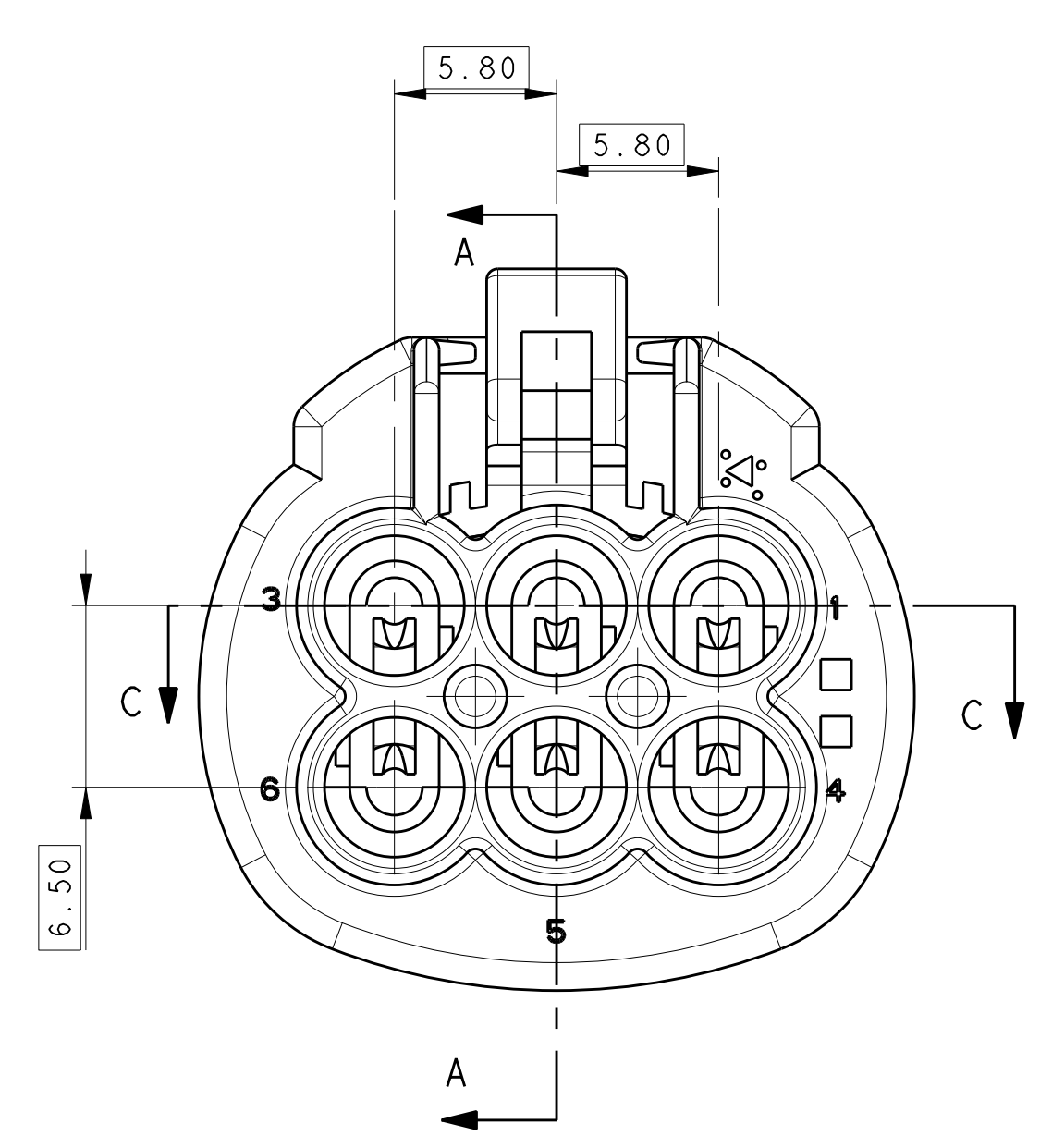
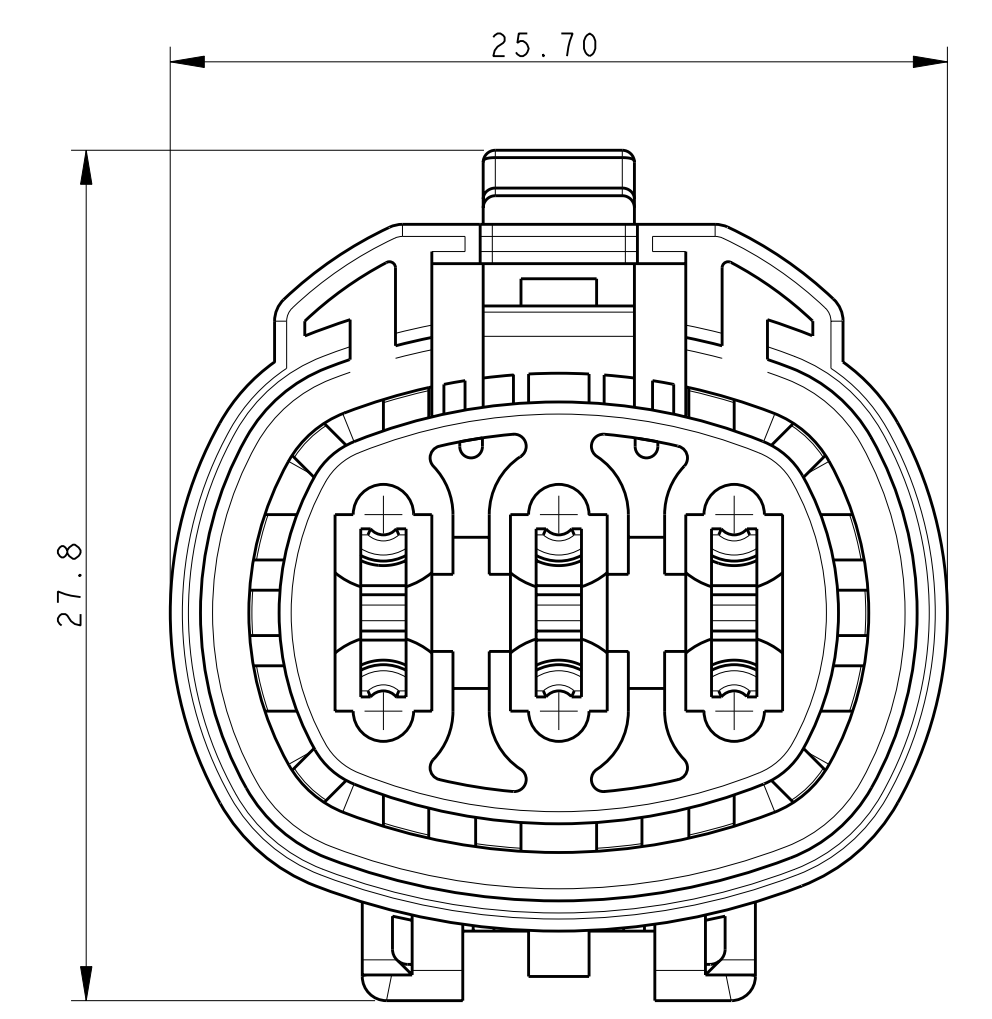
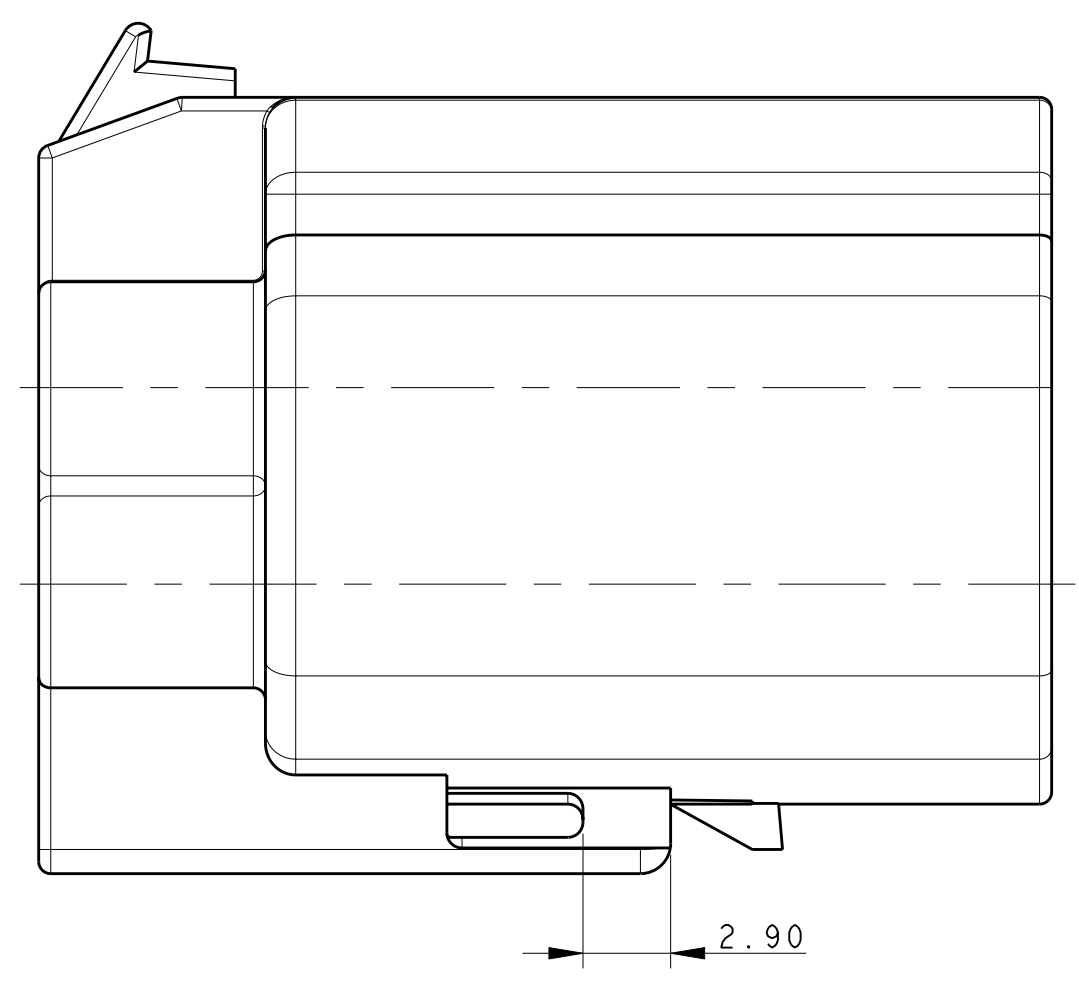
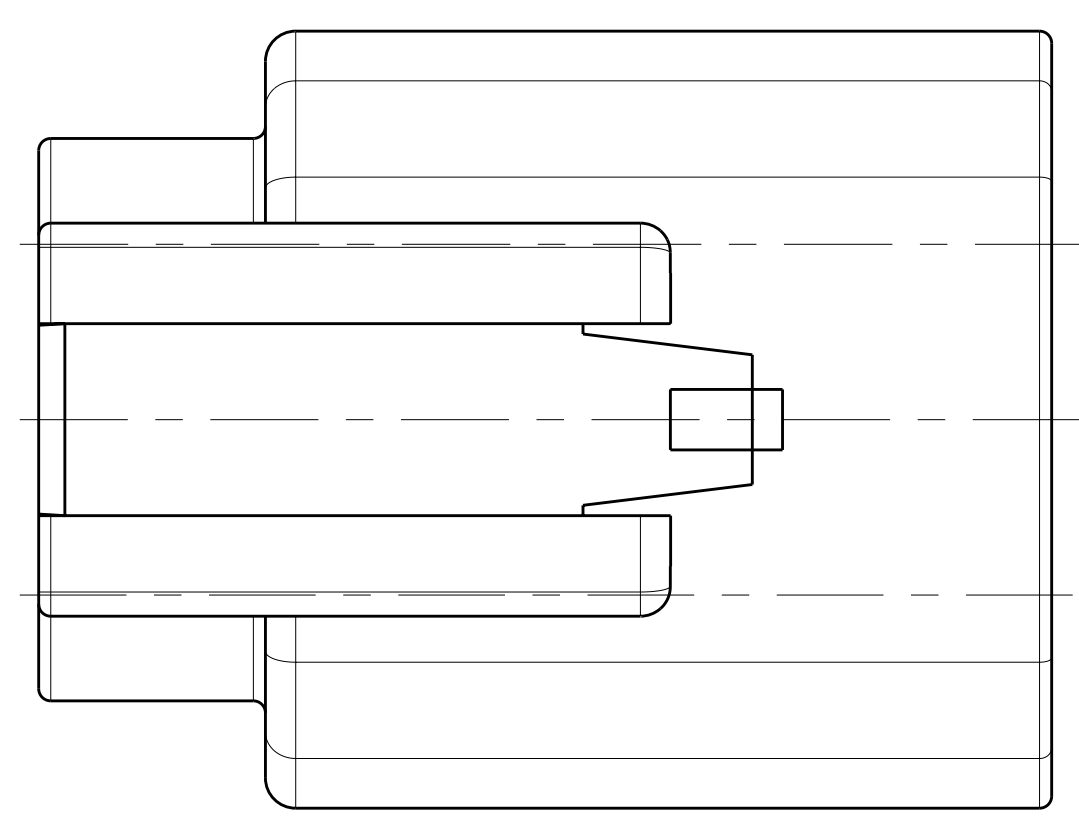
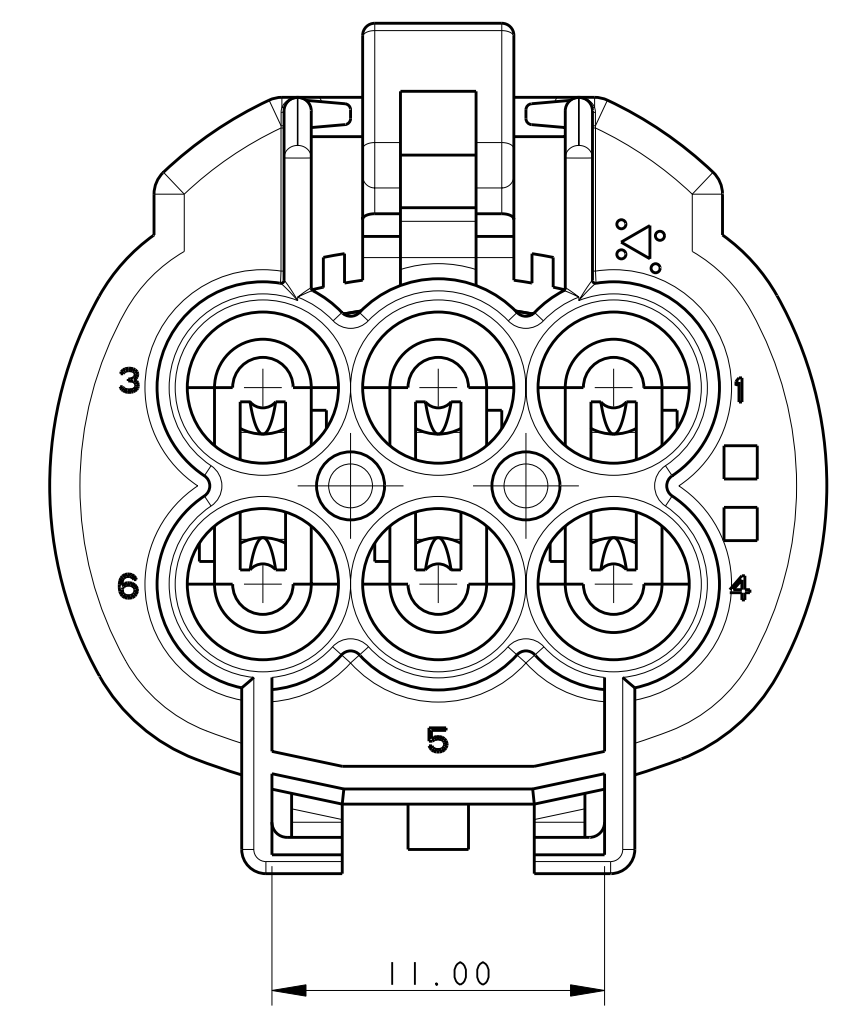
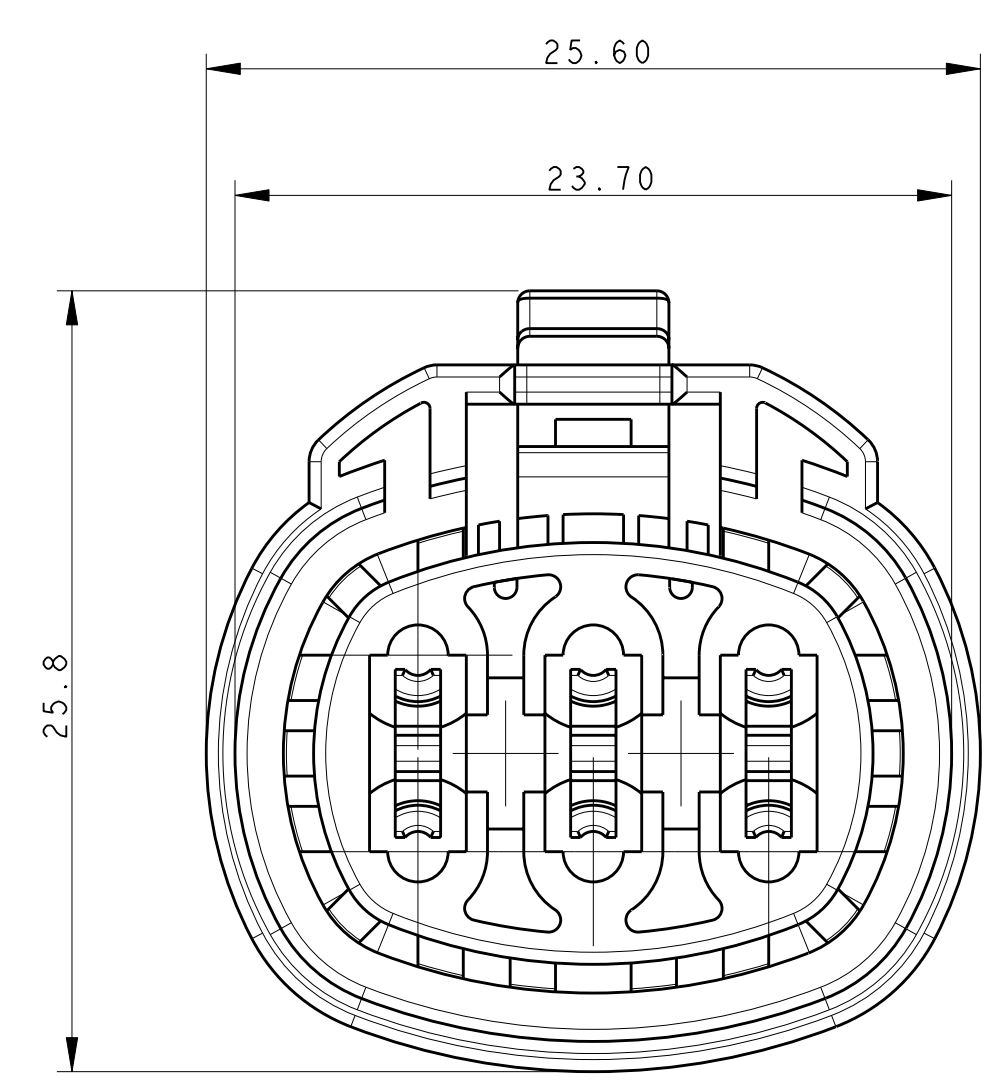
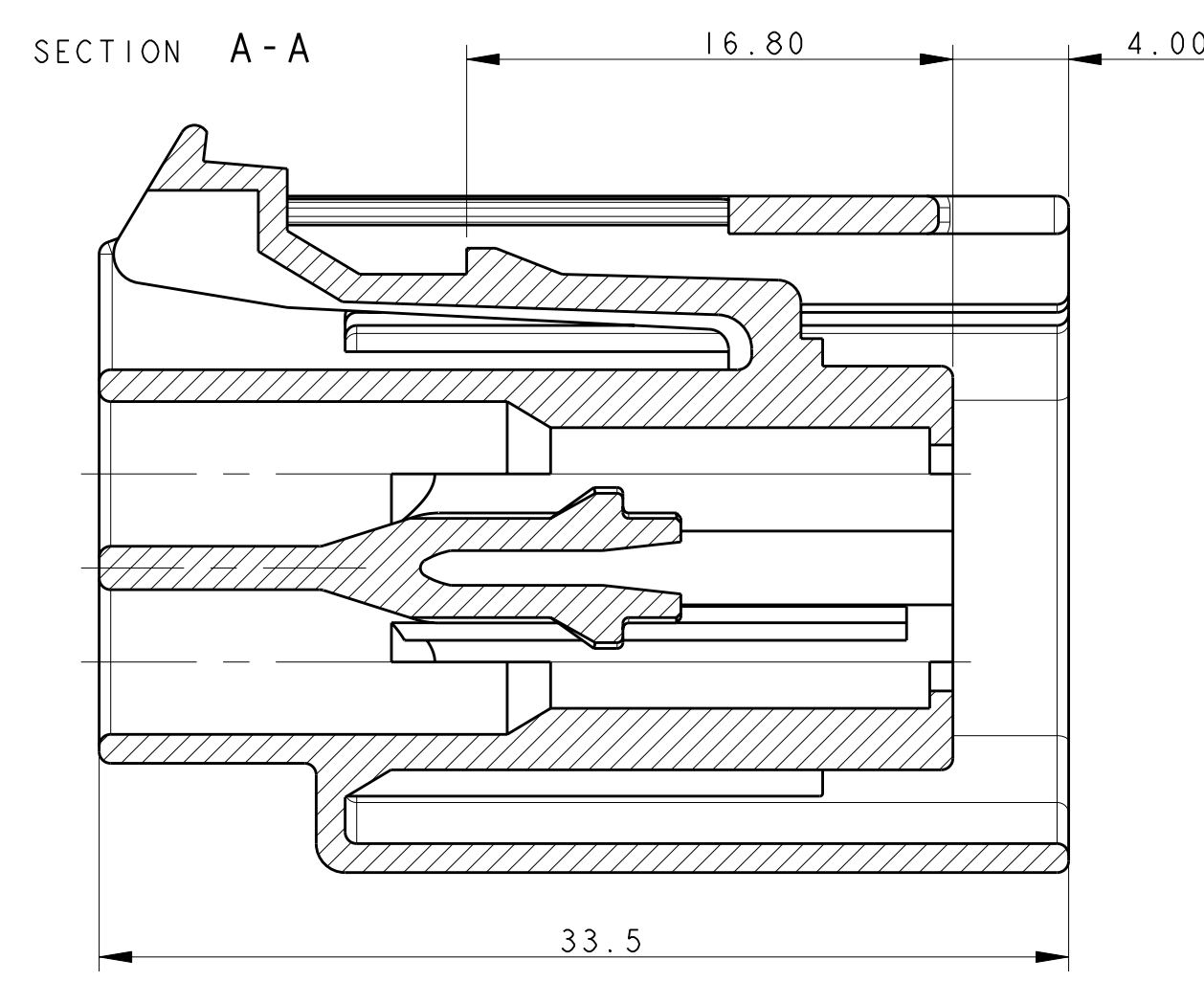
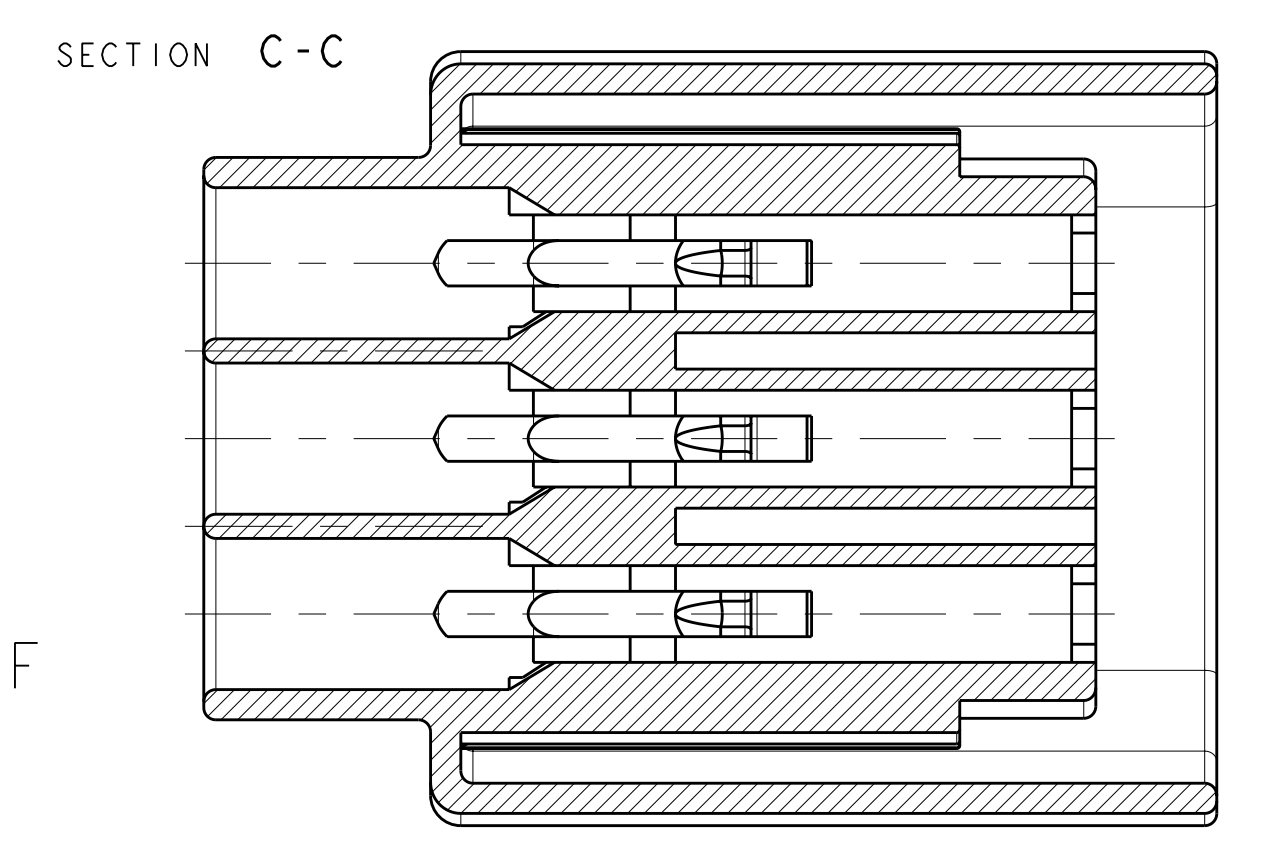


HOUSING MALE WITHOUT RETAINER

FULL SIZE VIEWS
SCALE 1:000

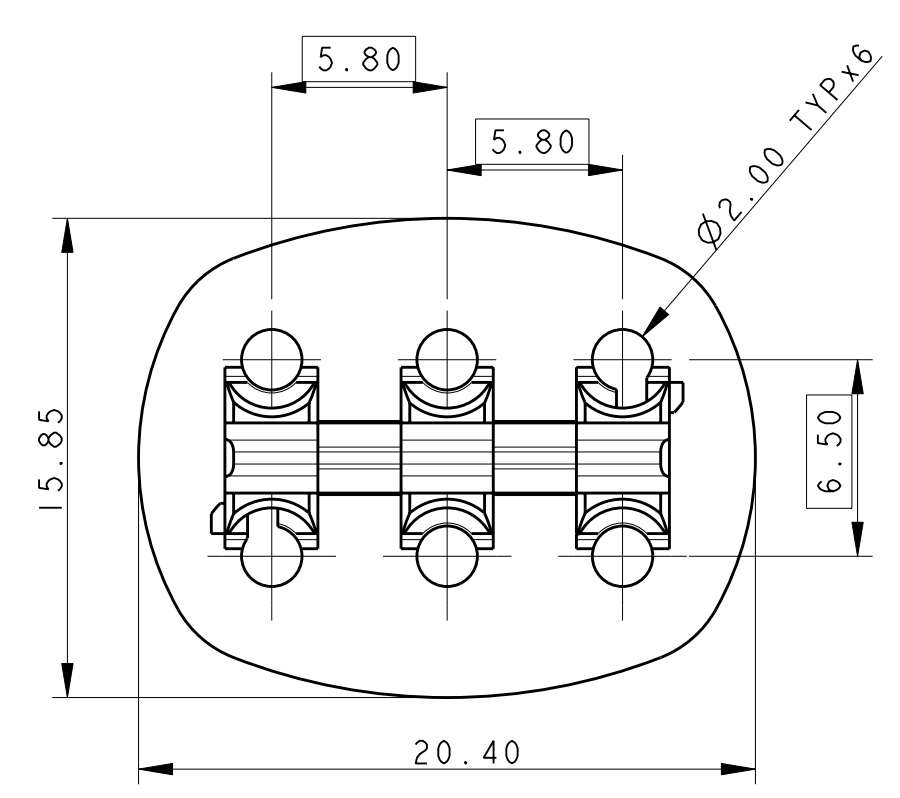
HOUSING WITH RETAINER
WATERPROOF / NON WATERPROOF

HOUSING
WATERPROOF / NON WATERPROOF



AS SHIPPED FOR WIRE ASSEMBLY
(SPACER IN PRIMARY LATCH POSITION)

SPACER NOTES



						DESCRIPTION	ITEM
	I	I				HOUSING WITH RETAINER (BLACK)	1
	I	I				HOUSING WITHOUT RETAINER (BLACK)	1
			I	I		HOUSING WITH RETAINER (NATURAL)	1
				I	I	HOUSING WITHOUT RETAINER (NATURAL)	1
	I	I				SEAL (REDDISH BROWN)	2
	I	I				SPACER (LIGHT BLUE)	3
						SPACER (RED)	3
4-1437700-0 REVA							
4-1437701-1 REVA							
4-1437702-2 REVA							
4-1437703-3 REVA							
4-1437704-4 REVA							
0-1418093-1 REVA							
0-1418093-2 REVA							
0-1418093-3 REVA							

PART AS SUPPLIED				COMPONENTS			COLOURS			MATERIALS		
TYCO ELECTRONICS PART No.	DESCRIPTION	WATERPROOF	WEIGHT	1 HOUSING	2 SPACER	3 SEAL	1 HOUSING	2 SPACER	3 SEAL	1 HOUSING	2 SPACER	3 SEAL
4-1437710-0	6 WAY MALE CONNECTOR	YES	10.0 gr.	I	I	I	LIGHT BLUE REDDISH BROWN	PBTP 33% GF	PBTP 33% GF	SILICONE ELASTOMER		
4-1437710-1	6 WAY MALE CONNECTOR WITH RETAINER		10.8 gr.	I	I	I						
4-1437710-2	6 WAY MALE CONNECTOR	NO	9.8 gr.	I	I		BLACK	PBTP 33% GF	PBTP 33% GF	SILICONE ELASTOMER		
4-1437710-3	6 WAY MALE CONNECTOR WITH RETAINER		10.6 gr.	I	I							

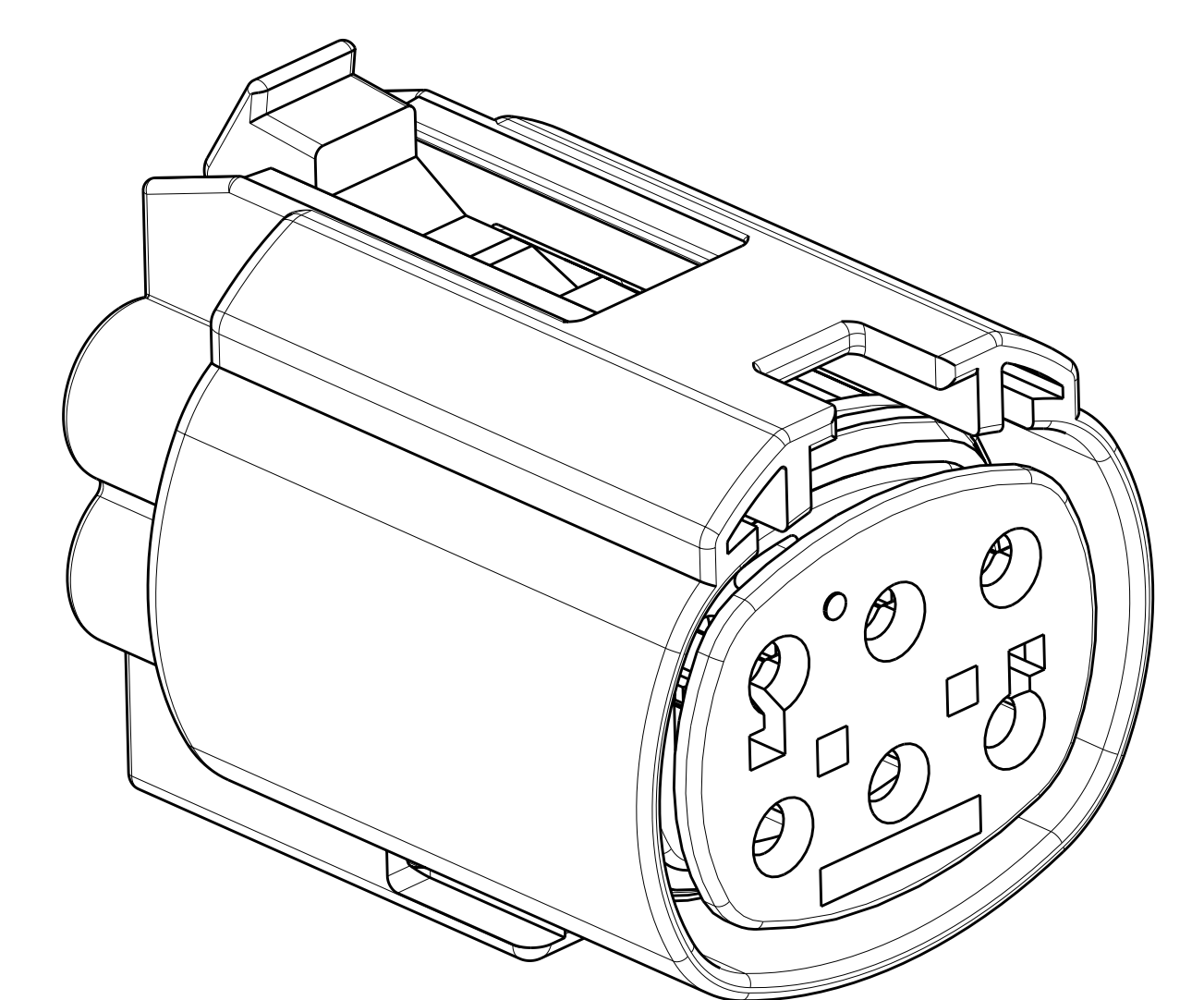
SUITABLE FOR		
TERMINAL FEMALE	WIRE SEAL	BLIND PLUG
0-1437709-9 (0.22-0.35mm ²) GOLD PLATED 1-1437709-0 (0.50-1.00mm ²) GOLD PLATED 1-1437709-7 (1.50mm ²) GOLD PLATED 1-1437709-4 (0.22-0.35mm ²) TIN PLATED 1-1437709-5 (0.50-1.00mm ²) TIN PLATED 1-1437709-6 (1.50mm ²) TIN PLATED	1-1437713-1 (0.22-0.35) BLACK 1-1437713-2 (0.50-1.00) RED 1-1437713-3 (1.50) BLUE	1-1437713-4

MATING PARTS	
TYCO ELECTRONICS PART No.	DESCRIPTION
2-1437712-0	6 WAY FEMALE CONNECTOR WATERPROOF
2-1437712-1	6 WAY FEMALE CONNECTOR NON WATERPROOF

PART AS SUPPLIED				COMPONENTS			COLOURS			MATERIALS		
TYCO ELECTRONICS PART No.	DESCRIPTION	WATERPROOF	WEIGHT	1 HOUSING	2 SPACER	3 SEAL	1 HOUSING	2 SPACER	3 SEAL	1 HOUSING	2 SPACER	3 SEAL
0-1418093-3	6 WAY MALE CONNECTOR	YES	10.0 gr.	I	I	I	LIGHT BLUE REDDISH BROWN	PBTP 33% GF	PBTP 33% GF	SILICONE ELASTOMER		
4-1437710-4	6 WAY MALE CONNECTOR WITH RETAINER		10.8 gr.	I	I	I						
0-1418093-1	6 WAY MALE CONNECTOR	NO	9.8 gr.	I	I		NATURAL	PBTP 33% GF	PBTP 33% GF	SILICONE ELASTOMER		
0-1418093-2	6 WAY MALE CONNECTOR WITH RETAINER		10.6 gr.	I	I							

SUITABLE FOR		
TERMINAL FEMALE	WIRE SEAL	BLIND PLUG
0-1437709-9 (0.22-0.35mm ²) GOLD PLATED 1-1437709-0 (0.50-1.00mm ²) GOLD PLATED 1-1437709-7 (1.50mm ²) GOLD PLATED 1-1437709-4 (0.22-0.35mm ²) TIN PLATED 1-1437709-5 (0.50-1.00mm ²) TIN PLATED 1-1437709-6 (1.50mm ²) TIN PLATED	1-1437713-1 (0.22-0.35) BLACK 1-1437713-2 (0.50-1.00) RED 1-1437713-3 (1.50) BLUE	1-1437713-4

MATING PARTS	
TYCO ELECTRONICS PART No.	DESCRIPTION
2-1437712-0	6 WAY FEMALE CONNECTOR WATERPROOF
2-1437712-1	6 WAY FEMALE CONNECTOR NON WATERPROOF



NOTES UNLESS OTHERWISE SPECIFIED:
 1) SEE CHART FOR MATING PART NUMBERS.
 2) THE CONNECTOR WITH RETAINER MOUNTING FEATURE IS DESIGNED TO PASS THROUGH A Ø 29.00mm MIN. HOLE AND WITHOUT RETAINER MOUNTING FEATURE THROUGH A Ø27.00mm MIN HOLE.

DIMENSIONS: mm		SCALE: 1:1		DATE: 21FEB2006		BY: M. PALMA		TYCO ELECTRONICS	
MATERIAL: SEE TABLES		FINISH: SEE TABLES		APPROVED: R. MARTINI		PRODUCT SPEC: 108-20269		TYCO ELECTRONICS AMP Italia S.p.A.	
CUSTOMER DRAWING		REVISION: 4		DRAWING NO: 00779		CASE CODE: 1418075		C.so F.lli Cervi 15, Collighe 4101	

LOC		DIST		REVISITONS			
P	LN	DESCRIPTION	DATE	BY	APPD		
-		SEE SHEET 1					

6 WAYS MALE, BLACK (WATERPROOF VERSION WITH RETAINER)	
ASSEMBLY	
T&B UNIVERSAL PART No.	106067
TYCO ELECTRONICS PART No.	△ 1-1437710-7
T&B FORD PART No.	MPIKA-10R6XX
FORD PART No.	89FG-14A464-BFC
TYCO ELECTRONICS PART No.	4-1437710-1

△ OBSOLETE, SUPERSEDED BY 4-1437710-1

6 WAYS MALE, BLACK (WATERPROOF VERSION WITHOUT RETAINER)	
ASSEMBLY	
T&B UNIVERSAL PART No.	106065
TYCO ELECTRONICS PART No.	△ 1-1447338-1
T&B FORD PART No.	MPIKA-1006XX
FORD PART No.	89FG-14A464-AFB
TYCO ELECTRONICS PART No.	4-1437710-0

△ OBSOLETE, SUPERSEDED BY 4-1437710-0

6 WAYS MALE, BLACK (NON-WATERPROOF VERSION WITH RETAINER)	
ASSEMBLY	
T&B UNIVERSAL PART No.	106068
TYCO ELECTRONICS PART No.	-
T&B FORD PART No.	MPIKA-1AR6XX
FORD PART No.	89FG-14489-BFC
TYCO ELECTRONICS PART No.	4-1437710-3

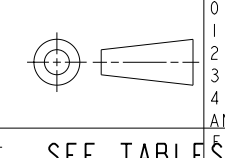
6 WAYS MALE, BLACK (NON-WATERPROOF VERSION WITHOUT RETAINER)	
ASSEMBLY	
T&B UNIVERSAL PART No.	106066
TYCO ELECTRONICS PART No.	-
T&B FORD PART No.	MPIKA-1AO6XX
FORD PART No.	89FG-14489-AFB
TYCO ELECTRONICS PART No.	4-1437710-2

6 WAY MALES, NATURAL (WATERPROOF VERSION WITH RETAINER)	
ASSEMBLY	
T&B UNIVERSAL PART No.	-
TYCO ELECTRONICS PART No.	-
T&B FORD PART No.	MPIKA-NOR6XX
FORD PART No.	89FG-14A464-BFC
TYCO ELECTRONICS PART No.	4-1437710-4

6 WAYS MALE, NATURAL (WATERPROOF VERSION WITHOUT RETAINER)	
ASSEMBLY	
T&B UNIVERSAL PART No.	-
TYCO ELECTRONICS PART No.	-
T&B FORD PART No.	MPIKA-N006XX
FORD PART No.	89FG-14A464-AFB
TYCO ELECTRONICS PART No.	0-1418093-3

6 WAYS MALE, NATURAL (NON-WATERPROOF VERSION WITH RETAINER)	
ASSEMBLY	
T&B UNIVERSAL PART No.	-
TYCO ELECTRONICS PART No.	-
T&B FORD PART No.	MPIKA-NAR6XX
FORD PART No.	89FG-14489-BFC
TYCO ELECTRONICS PART No.	0-1418093-2

6 WAYS MALE, NATURAL (NON-WATERPROOF VERSION WITHOUT RETAINER)	
ASSEMBLY	
T&B UNIVERSAL PART No.	106066
TYCO ELECTRONICS PART No.	-
T&B FORD PART No.	MPIKA-NAO6XX
FORD PART No.	89FG-14489-AFB
TYCO ELECTRONICS PART No.	0-1418093-1

DIMENSIONS: 		TOLERANCES UNLESS OTHERWISE SPECIFIED: 0 .015 1 .03 2 .05 3 .08 4 .12 5 .15 6 .20 7 .25 8 .30 9 .35 10 .40	DWG: W. PALMA 21FEB2006 CHK: R. MARTIN 21FEB2006 APPD: A. GENTA 21FEB2006	Tyco Electronics Tyco Electronics AMP Italia S.p.A. C.so F.lli Cervi 15, Colligo (TO)
MATERIAL: SEE TABLES		PRODUCT SPEC: 108-20269 APPLICATION SPEC: 411-20111	NAME: 1.6mm SYSTEM 6 WAYS CONNECTOR MALE	SIZE: CASE CODE (DRAWING NO): 00779 RESTRICTED TO: -
CUSTOMER DRAWING		SCALE: 4:1	SHEET: 2 OF 2	REV: A5