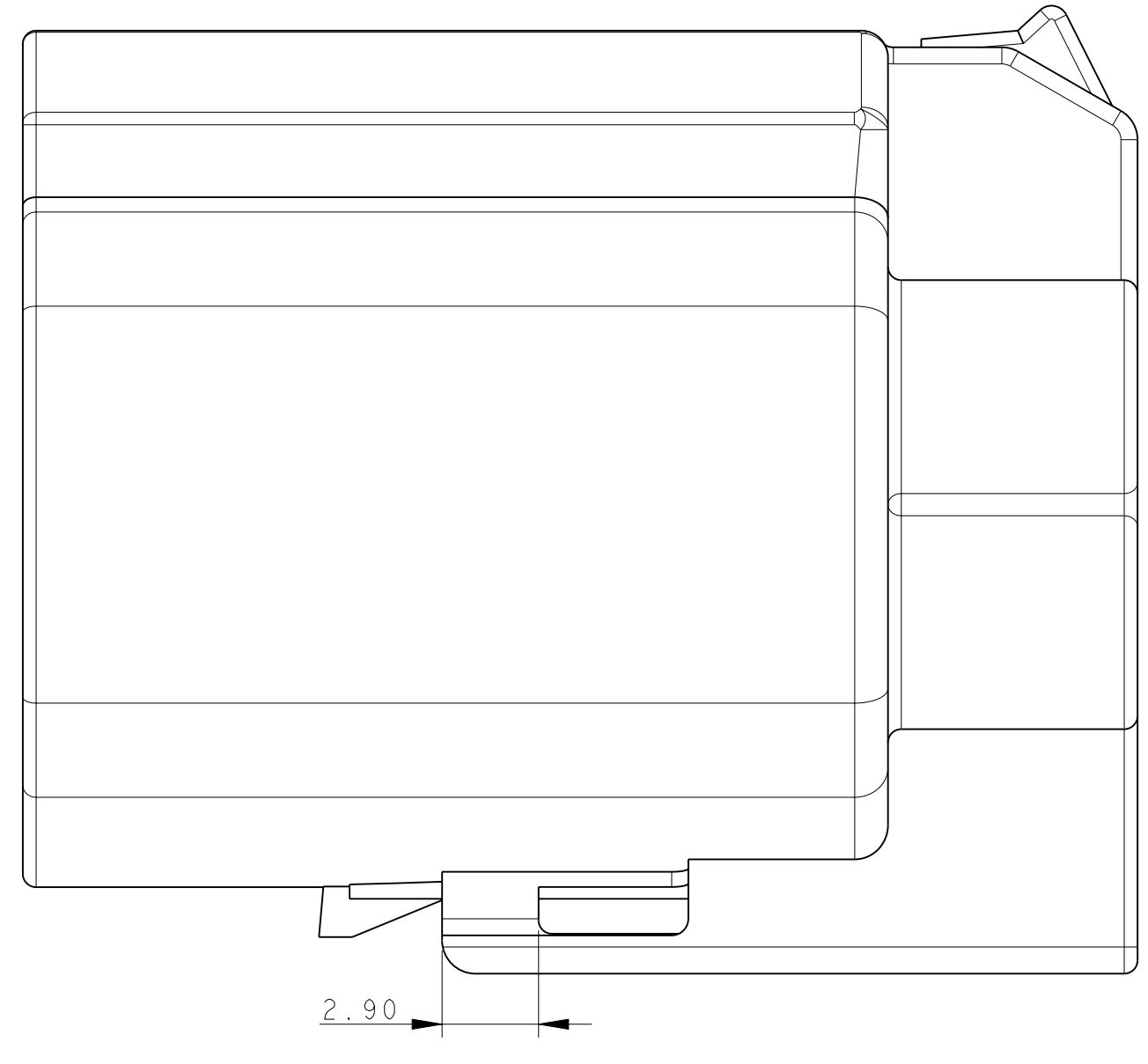
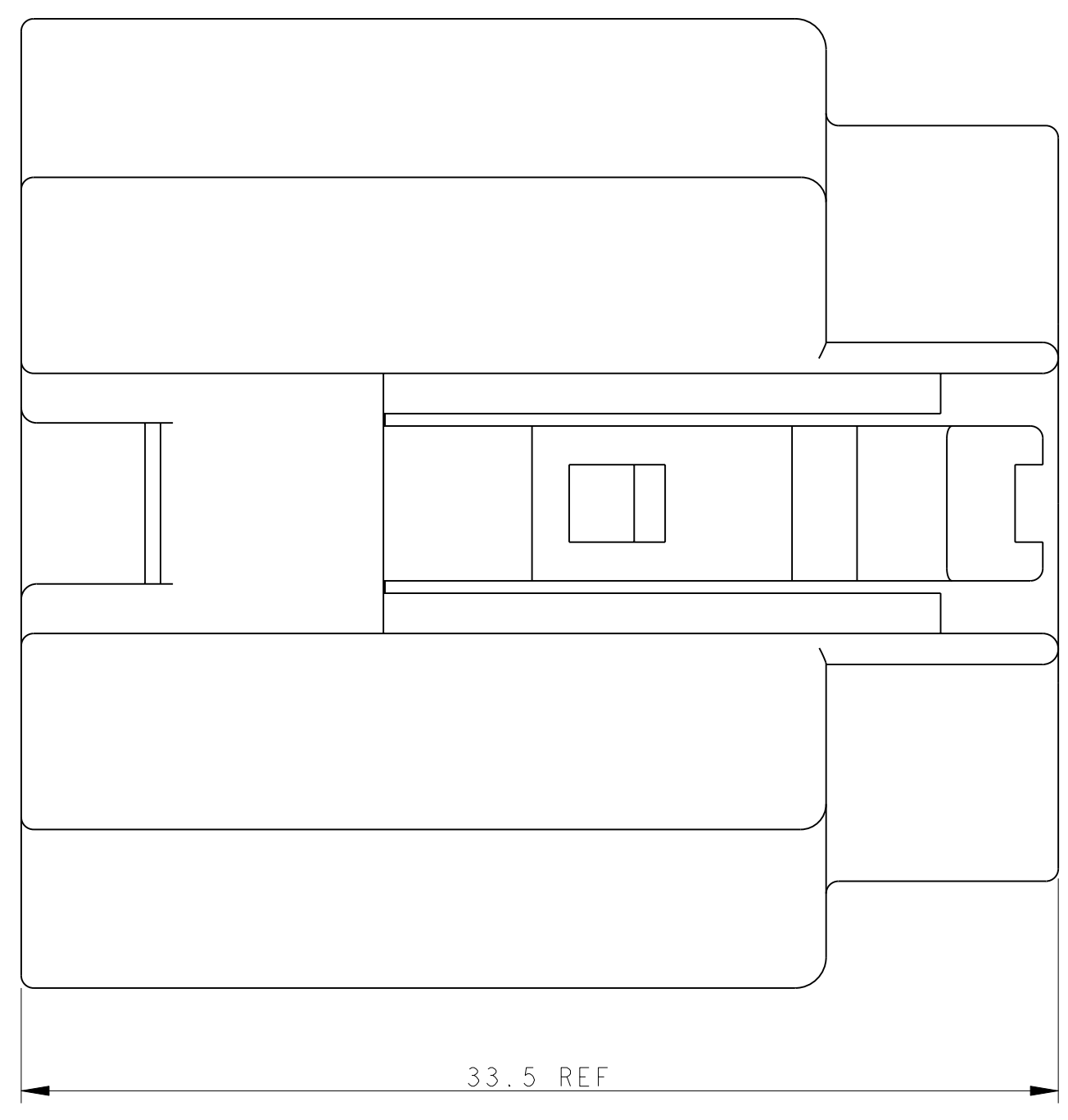
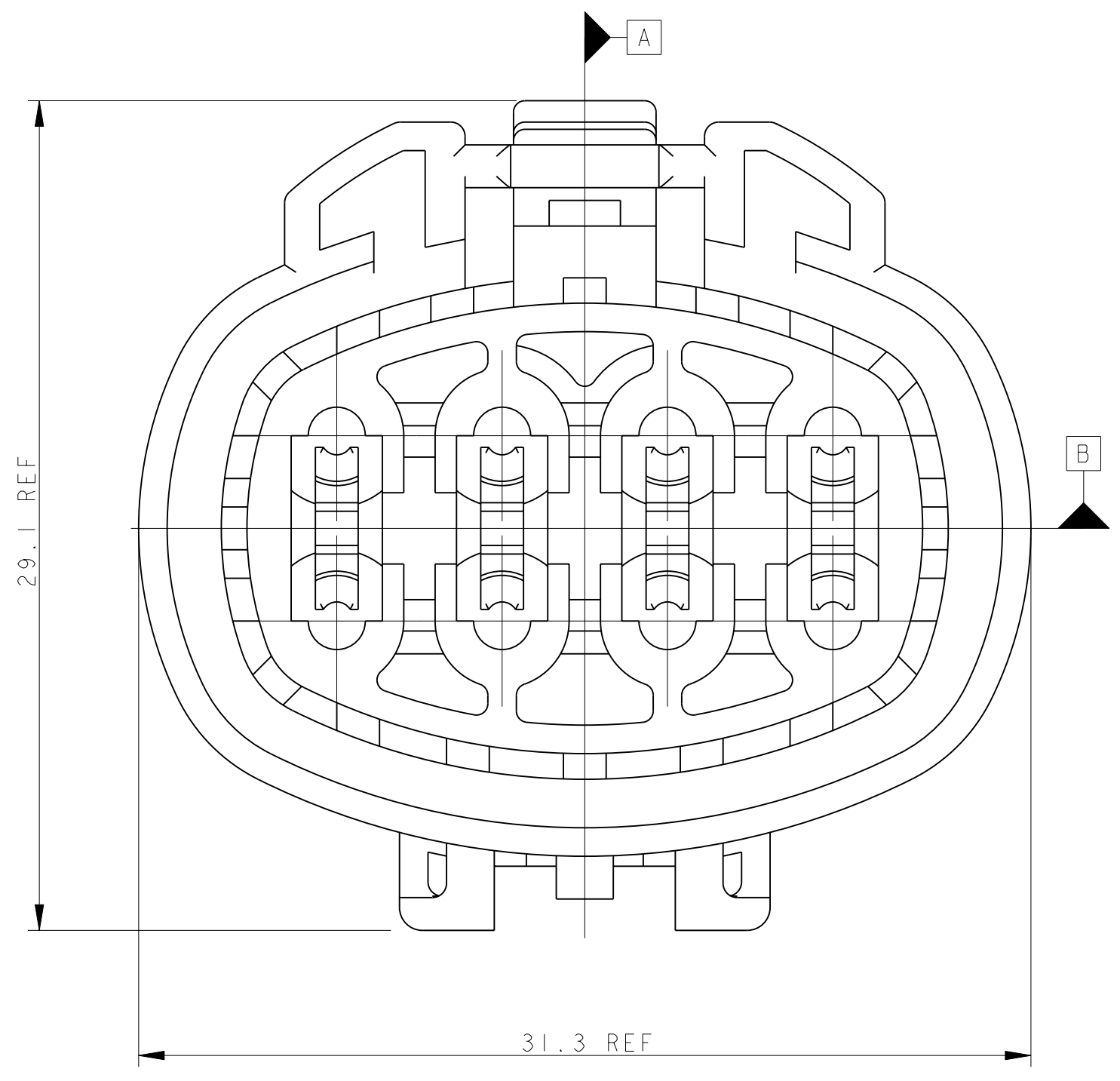


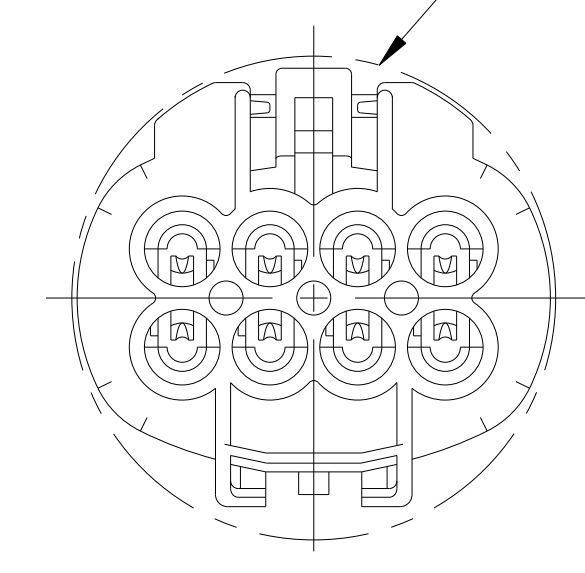
REV. NO.	DATE	BY	APP'D	DESCRIPTION
A	13SEP2001	SS	JE	EG00-2686-01
A1	17FEB2004	SS	VS	EG00-0377-04
A2	21FEB2004	M. P.	M. R.	REDRAWN REVISED FOR ECR-04-003008
A3	16MAY2004	D. S.	R. M.	REDRAWN FOR ECR-08-011466
A4	16FEB2012	M. P.	M. G.	ECR-12-002131

# 1 HOUSING WITH RETAINER

WATERPROOF / NOT WATERPROOF



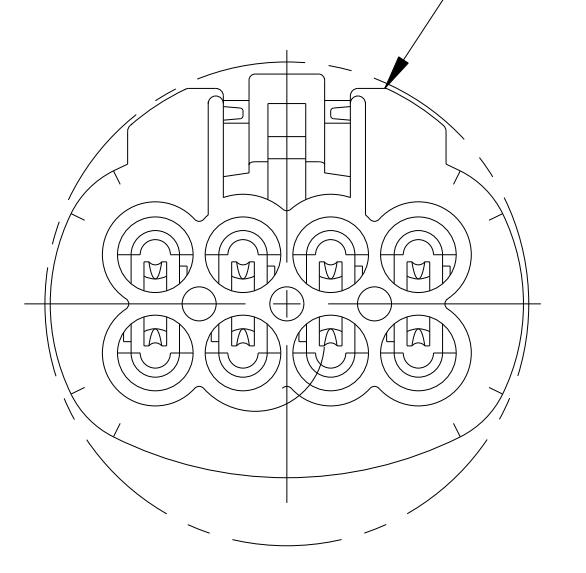
Ø 32.00 MINIMUM CLEARANCE HOLE (REF)



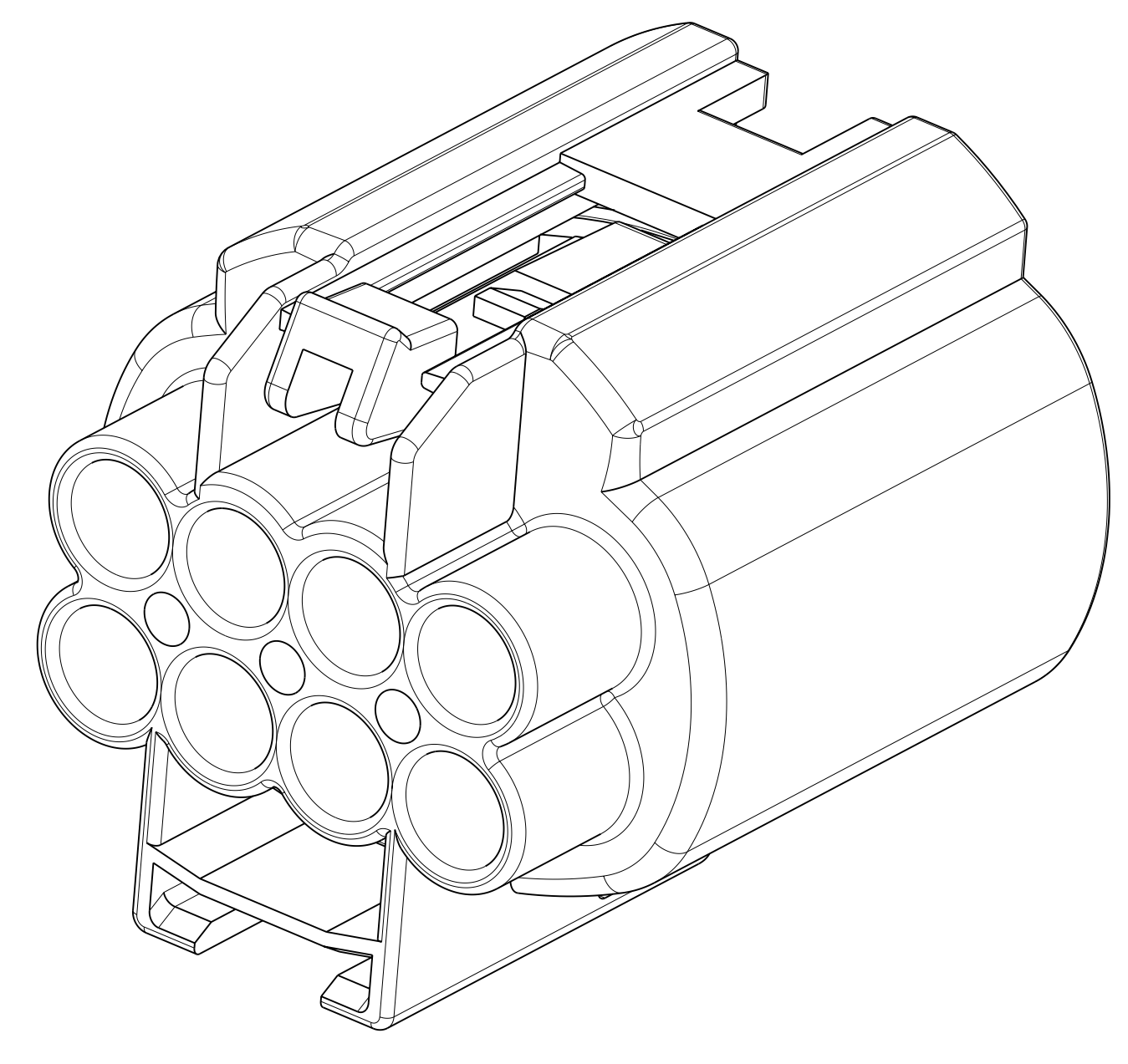
HOUSING MALE WITH RETAINER

FULL SIZE VIEWS  
SCALE 2.000

Ø 32.00 MINIMUM CLEARANCE HOLE (REF)



HOUSING MALE WITHOUT RETAINER



												DESCRIPTION	ITEM
												HOUSING WITH RETAINER (BLACK)	1
												HOUSING WITHOUT RETAINER (BLACK)	1
												HOUSING WITH RETAINER (NATURAL)	1
												HOUSING WITHOUT RETAINER (NATURAL)	1
												HOUSING WITH RETAINER (RED)	1
												HOUSING WITHOUT RETAINER (RED)	1
												SPACER (RED)	2
												SPACER (LIGHT BLUE)	2
												SEAL (REDDISH BROWN)	3
4-1437710-5	REVA												
4-1437710-6	REVA												
4-1437710-7	REVA												
4-1437710-8	REVA												
4-1437710-9	REVA												
5-1437710-0	REVA												
5-1437710-1	REVA												
5-1437710-2	REVA												
4-1437709-5	REVA												

PART AS SUPPLIED				COMPONENTS			COLOURS			MATERIALS		
TE CONNECTIVITY PART No.	DESCRIPTION	WATERPROOF	WEIGHT	1 HOUSING	2 SPACER	3 SEAL	1 HOUSING	2 SPACER	3 SEAL	1 HOUSING	2 SPACER	3 SEAL
4-1437710-5	8 WAY MALE CONNECTOR	YES	13.4 gr.	1	1	1	BLACK	LIGHT BLUE	REDDISH BROWN	PBTP 33% GF	PBTP 33% GF	SILICONE ELASTOMER
4-1437710-6	8 WAY MALE CONNECTOR WITH RETAINER		14.2 gr.	1	1	1						
4-1437710-7	8 WAY MALE CONNECTOR	NO	13.0 gr.	1	1		BLACK	RED		PBTP 33% GF	PBTP 33% GF	SILICONE ELASTOMER
4-1437710-8	8 WAY MALE CONNECTOR WITH RETAINER		13.8 gr.	1	1							

SUITABLE FOR		
TERMINAL FEMALE	WIRE SEAL	BLIND PLUG
0-1437709-9 (0.22-0.35mm <sup>2</sup> ) GOLD PLATED 1-1437709-0 (0.50-1.00mm <sup>2</sup> ) GOLD PLATED 1-1437709-7 (1.50mm <sup>2</sup> ) GOLD PLATED 1-1437709-4 (0.22-0.35mm <sup>2</sup> ) TIN PLATED 1-1437709-5 (0.50-1.00mm <sup>2</sup> ) TIN PLATED 1-1437709-6 (1.50mm <sup>2</sup> ) TIN PLATED	1-1437713-1 (0.22-0.35) BLACK 1-1437713-2 (0.50-1.00) RED 1-1437713-3 (1.50) BLUE	1-1437713-4
0-1437709-9 (0.22-0.35mm <sup>2</sup> ) GOLD PLATED 1-1437709-0 (0.50-1.00mm <sup>2</sup> ) GOLD PLATED 1-1437709-7 (1.50mm <sup>2</sup> ) GOLD PLATED 1-1437709-4 (0.22-0.35mm <sup>2</sup> ) TIN PLATED 1-1437709-5 (0.50-1.00mm <sup>2</sup> ) TIN PLATED 1-1437709-6 (1.50mm <sup>2</sup> ) TIN PLATED		1-1437713-4

MATING PARTS	
TE CONNECTIVITY PART No.	DESCRIPTION
2-1437712-2	8 WAY FEMALE CONNECTOR WATERPROOF
2-1437712-3	8 WAY FEMALE CONNECTOR NON WATERPROOF

PART AS SUPPLIED				COMPONENTS			COLOURS			MATERIALS		
TE CONNECTIVITY PART No.	DESCRIPTION	WATERPROOF	WEIGHT	1 HOUSING	2 SPACER	3 SEAL	1 HOUSING	2 SPACER	3 SEAL	1 HOUSING	2 SPACER	3 SEAL
4-1437710-9	8 WAY MALE CONNECTOR	YES	13.4 gr.	1	1	1	NATURAL	LIGHT BLUE	REDDISH BROWN	PBTP 33% GF	PBTP 33% GF	SILICONE ELASTOMER
5-1437710-0	8 WAY MALE CONNECTOR WITH RETAINER		14.2 gr.	1	1	1						
5-1437710-1	8 WAY MALE CONNECTOR	NO	13.0 gr.	1	1		NATURAL	RED		PBTP 33% GF	PBTP 33% GF	SILICONE ELASTOMER
5-1437710-2	8 WAY MALE CONNECTOR WITH RETAINER		13.8 gr.	1	1							

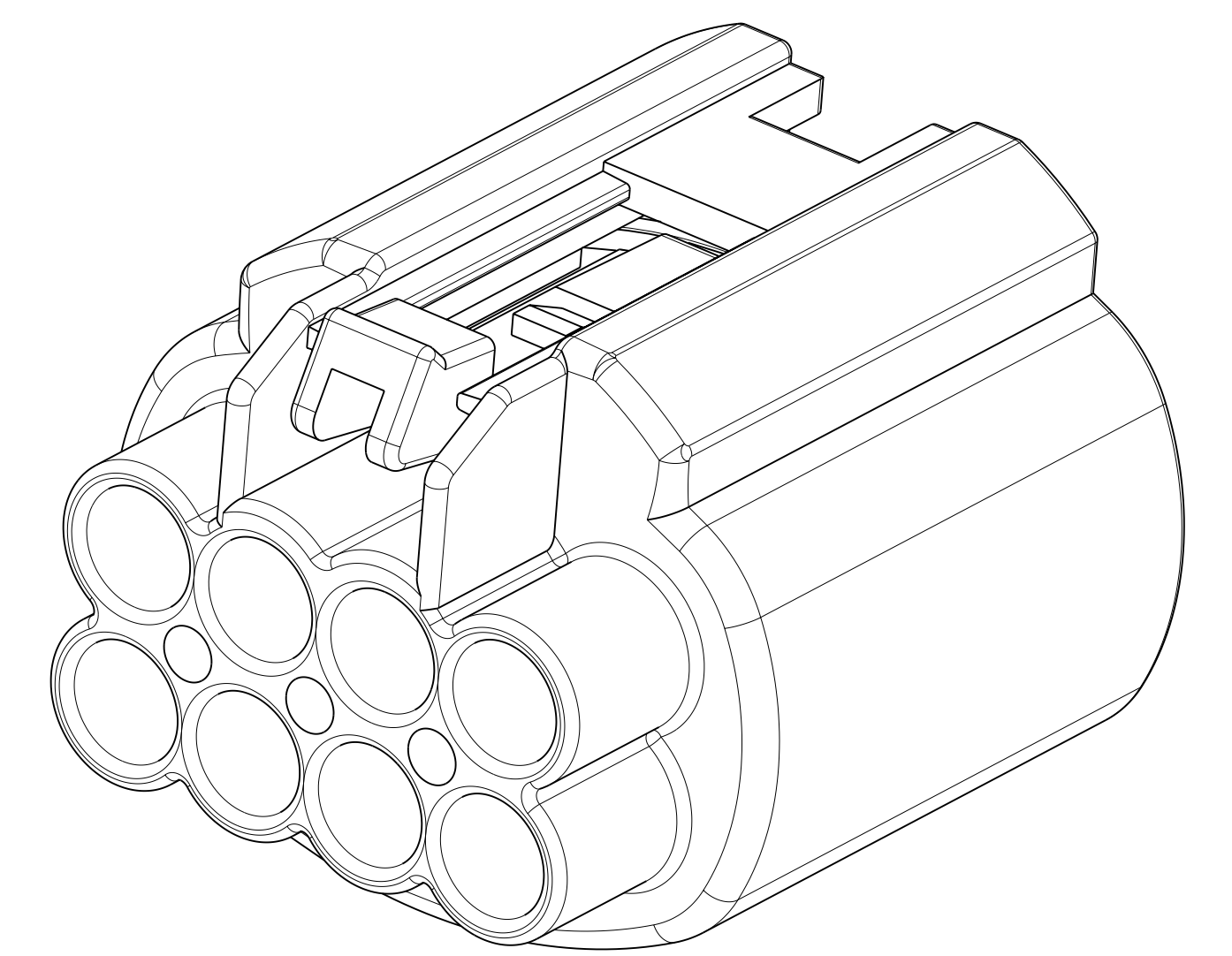
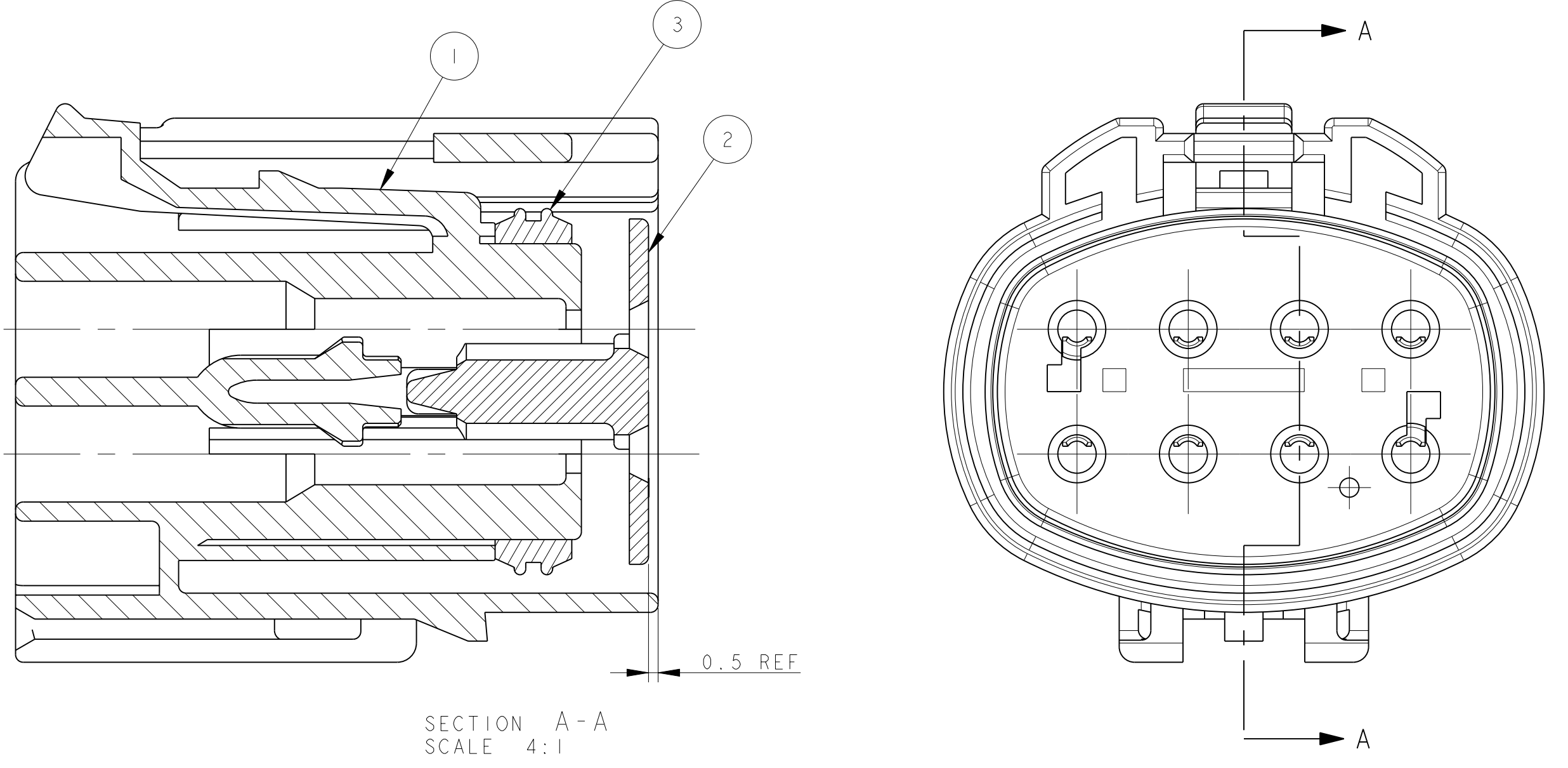
SUITABLE FOR		
TERMINAL FEMALE	WIRE SEAL	BLIND PLUG
0-1437709-9 (0.22-0.35mm <sup>2</sup> ) GOLD PLATED 1-1437709-0 (0.50-1.00mm <sup>2</sup> ) GOLD PLATED 1-1437709-7 (1.50mm <sup>2</sup> ) GOLD PLATED 1-1437709-4 (0.22-0.35mm <sup>2</sup> ) TIN PLATED 1-1437709-5 (0.50-1.00mm <sup>2</sup> ) TIN PLATED 1-1437709-6 (1.50mm <sup>2</sup> ) TIN PLATED	1-1437713-1 (0.22-0.35) BLACK 1-1437713-2 (0.50-1.00) RED 1-1437713-3 (1.50) BLUE	1-1437713-4
0-1437709-9 (0.22-0.35mm <sup>2</sup> ) GOLD PLATED 1-1437709-0 (0.50-1.00mm <sup>2</sup> ) GOLD PLATED 1-1437709-7 (1.50mm <sup>2</sup> ) GOLD PLATED 1-1437709-4 (0.22-0.35mm <sup>2</sup> ) TIN PLATED 1-1437709-5 (0.50-1.00mm <sup>2</sup> ) TIN PLATED 1-1437709-6 (1.50mm <sup>2</sup> ) TIN PLATED		1-1437713-4

MATING PARTS	
TE CONNECTIVITY PART No.	DESCRIPTION
2-1437712-3	8 WAY FEMALE CONNECTOR WATERPROOF
1-1437712-3	8 WAY FEMALE CONNECTOR NON WATERPROOF

PART AS SUPPLIED				COMPONENTS			COLOURS			MATERIALS		
TE CONNECTIVITY PART No.	DESCRIPTION	WATERPROOF	WEIGHT	1 HOUSING	2 SPACER	3 SEAL	1 HOUSING	2 SPACER	3 SEAL	1 HOUSING	2 SPACER	3 SEAL
-	8 WAY MALE CONNECTOR	YES	-	1	1	1	RED	LIGHT BLUE	REDDISH BROWN	PBTP 33% GF	PBTP 33% GF	SILICONE ELASTOMER
4-1437709-5	8 WAY MALE CONNECTOR WITH RETAINER		14.2 gr.	1	1	1						
-	8 WAY MALE CONNECTOR	NO	-	1	1		RED			PBTP 33% GF	PBTP 33% GF	SILICONE ELASTOMER
-	8 WAY MALE CONNECTOR WITH RETAINER		-	1	1							

SUITABLE FOR		
TERMINAL FEMALE	WIRE SEAL	BLIND PLUG
0-1437709-9 (0.22-0.35mm <sup>2</sup> ) GOLD PLATED 1-1437709-0 (0.50-1.00mm <sup>2</sup> ) GOLD PLATED 1-1437709-7 (1.50mm <sup>2</sup> ) GOLD PLATED 1-1437709-4 (0.22-0.35mm <sup>2</sup> ) TIN PLATED 1-1437709-5 (0.50-1.00mm <sup>2</sup> ) TIN PLATED 1-1437709-6 (1.50mm <sup>2</sup> ) TIN PLATED	1-1437713-1 (0.22-0.35) BLACK 1-1437713-2 (0.50-1.00) RED 1-1437713-3 (1.50) BLUE	1-1437713-4
0-1437709-9 (0.22-0.35mm <sup>2</sup> ) GOLD PLATED 1-1437709-0 (0.50-1.00mm <sup>2</sup> ) GOLD PLATED 1-1437709-7 (1.50mm <sup>2</sup> ) GOLD PLATED 1-1437709-4 (0.22-0.35mm <sup>2</sup> ) TIN PLATED 1-1437709-5 (0.50-1.00mm <sup>2</sup> ) TIN PLATED 1-1437709-6 (1.50mm <sup>2</sup> ) TIN PLATED		1-1437713-4

MATING PARTS	
TE CONNECTIVITY PART No.	DESCRIPTION
1-1437712-3	8 WAY FEMALE CONNECTOR WATERPROOF
1-1437712-3	8 WAY FEMALE CONNECTOR NON WATERPROOF

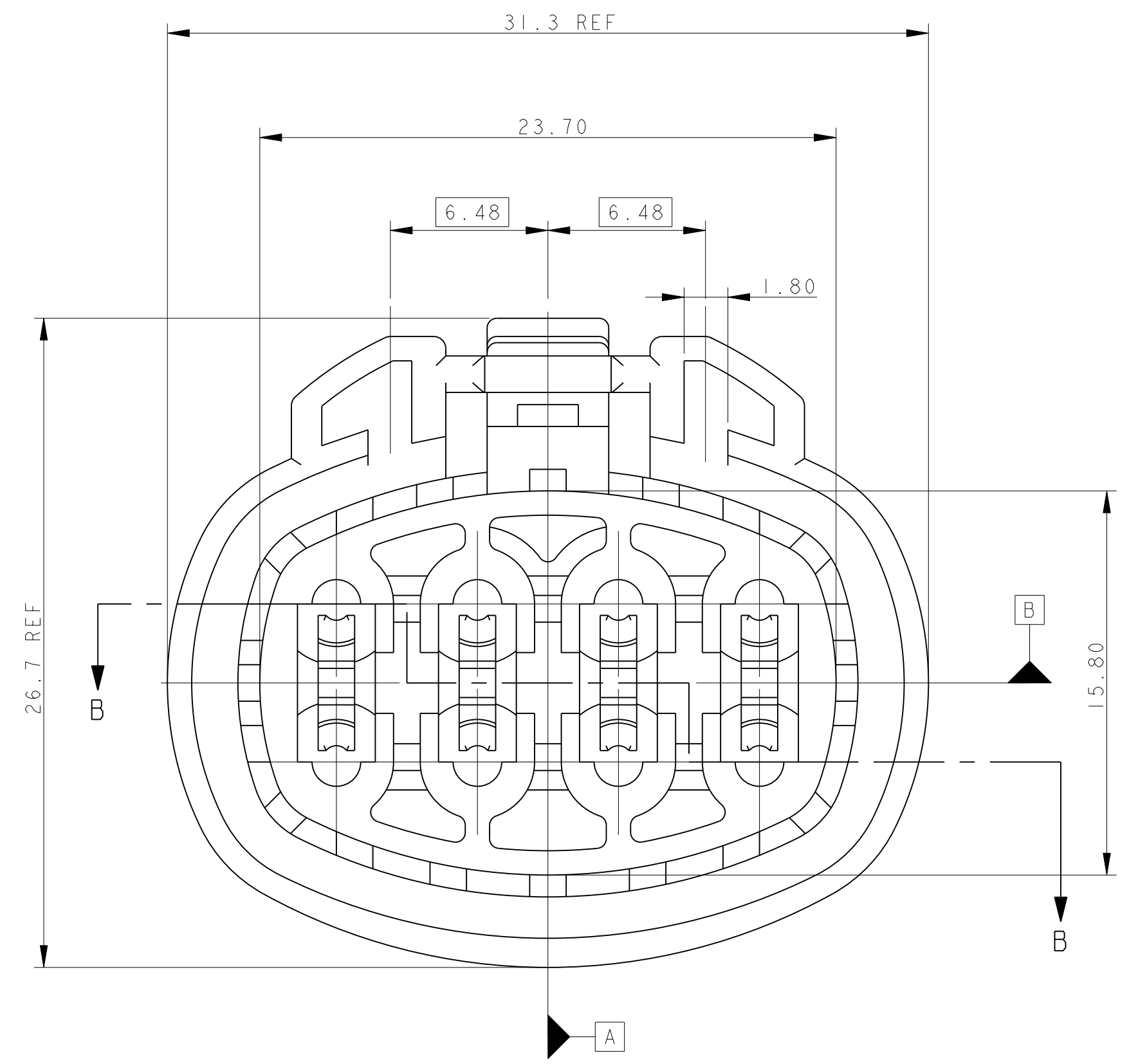


NOTES UNLESS OTHERWISE SPECIFIED:  
 1) SEE CHART FOR MATING PART NUMBERS.  
 2) THE CONNECTOR WITH AND WITHOUT RETAINER MOUNTING FEATURE IS DESIGNED TO PASS THROUGH A Ø 32.00mm MIN. HOLE

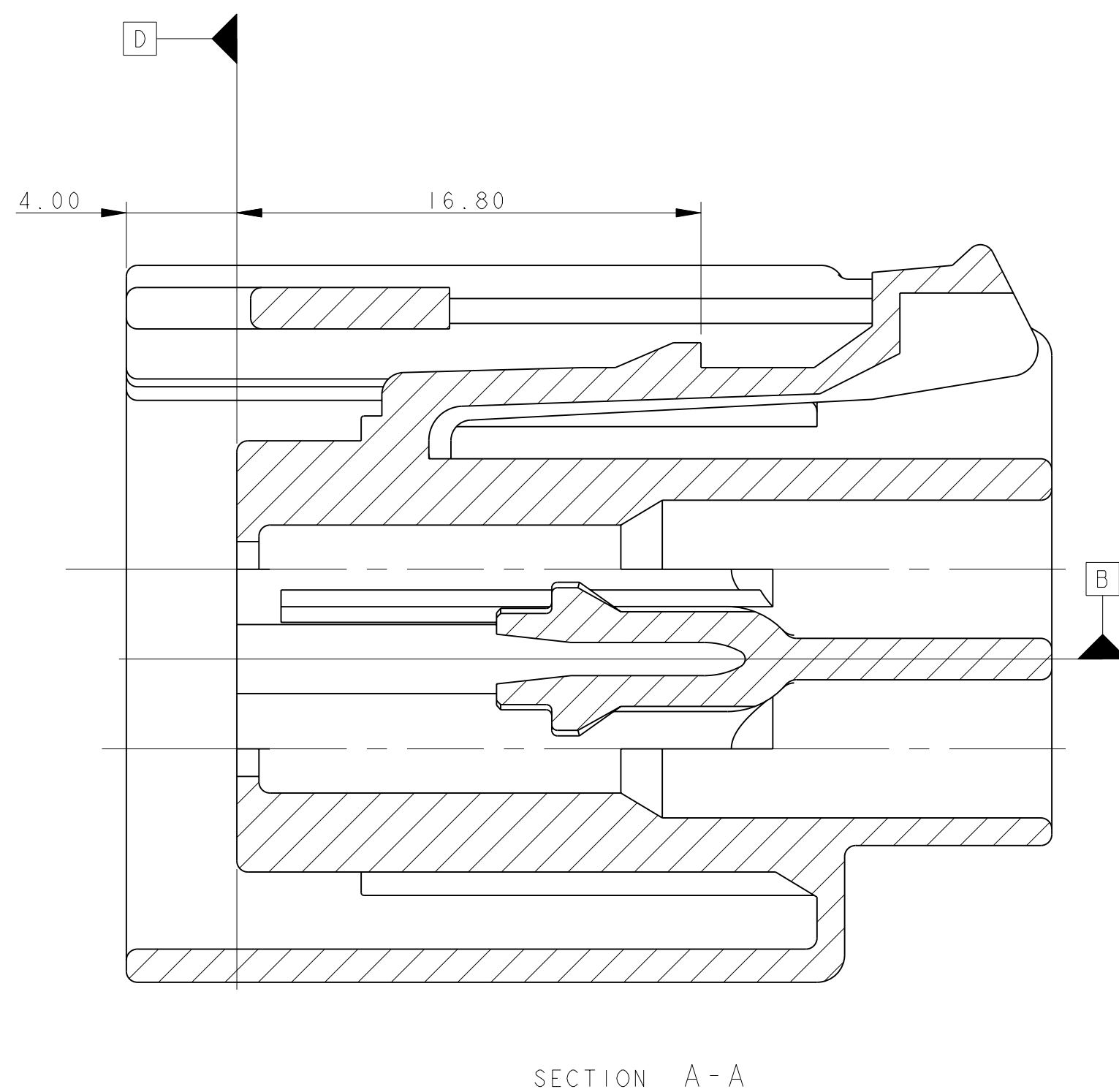
THIS DRAWING IS A CONTROLLED DOCUMENT. DIMENSIONS IN MILLIMETERS UNLESS OTHERWISE SPECIFIED. MATERIAL: SEE TABLE. FINISH: SEE TABLE. REVISION: SEE TABLE. CUSTOMER DRAWING. SCALE: 5:1. SHEET: 1 OF 3. REV: A4.

STE TE Connectivity  
 1.6mm SYSTEM  
 8 WAYS CONNECTOR  
 MALE  
 108-20269  
 APPLICATION SPEC: 411-20111  
 CASE CODE (DRAWING NO): 00779  
 DRAWING NO: 1418077

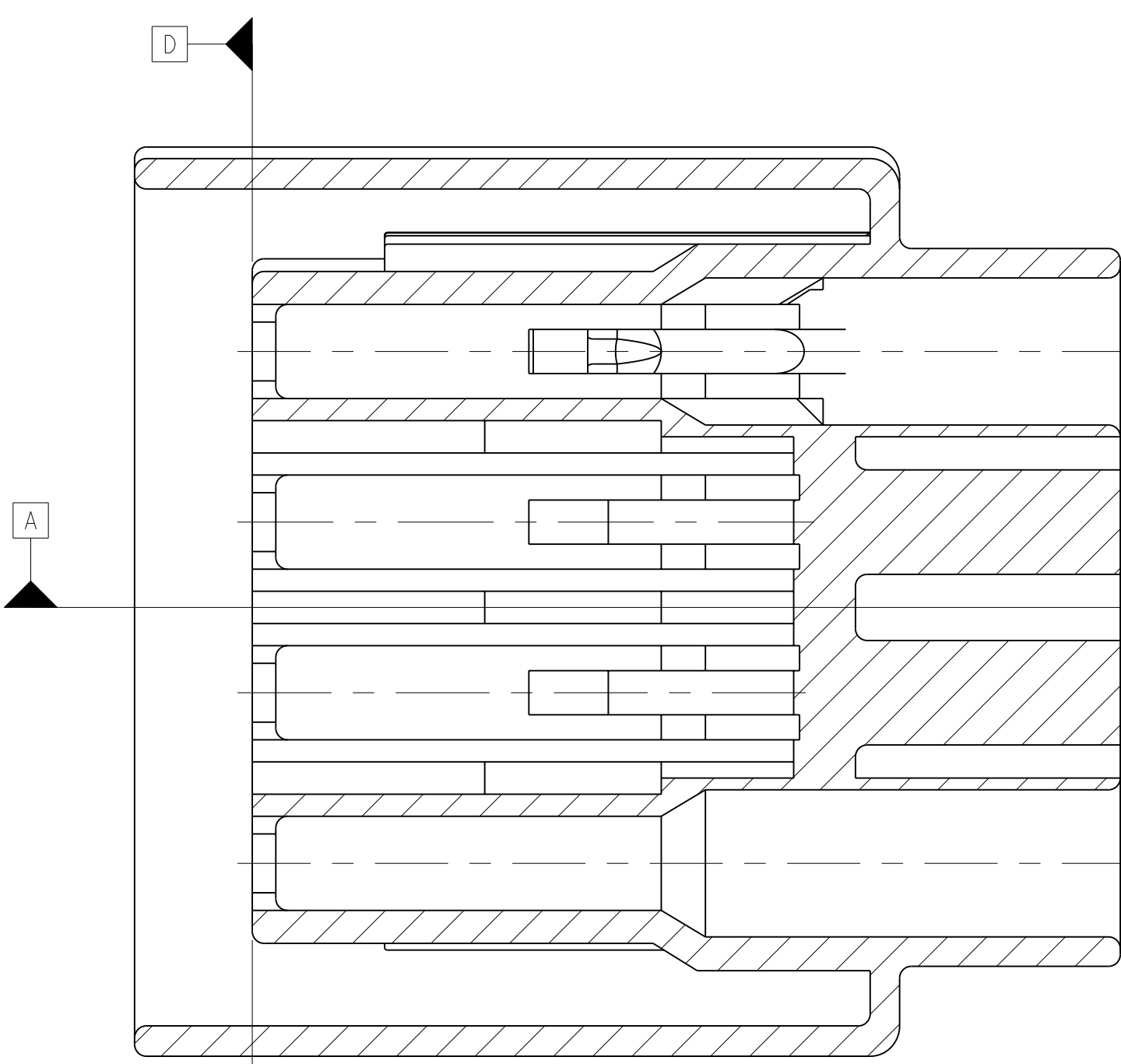
LOC	DIST	REV	DESCRIPTION	DATE	BY	APPV
1	-	1	SEE SHEET 1	-	-	-



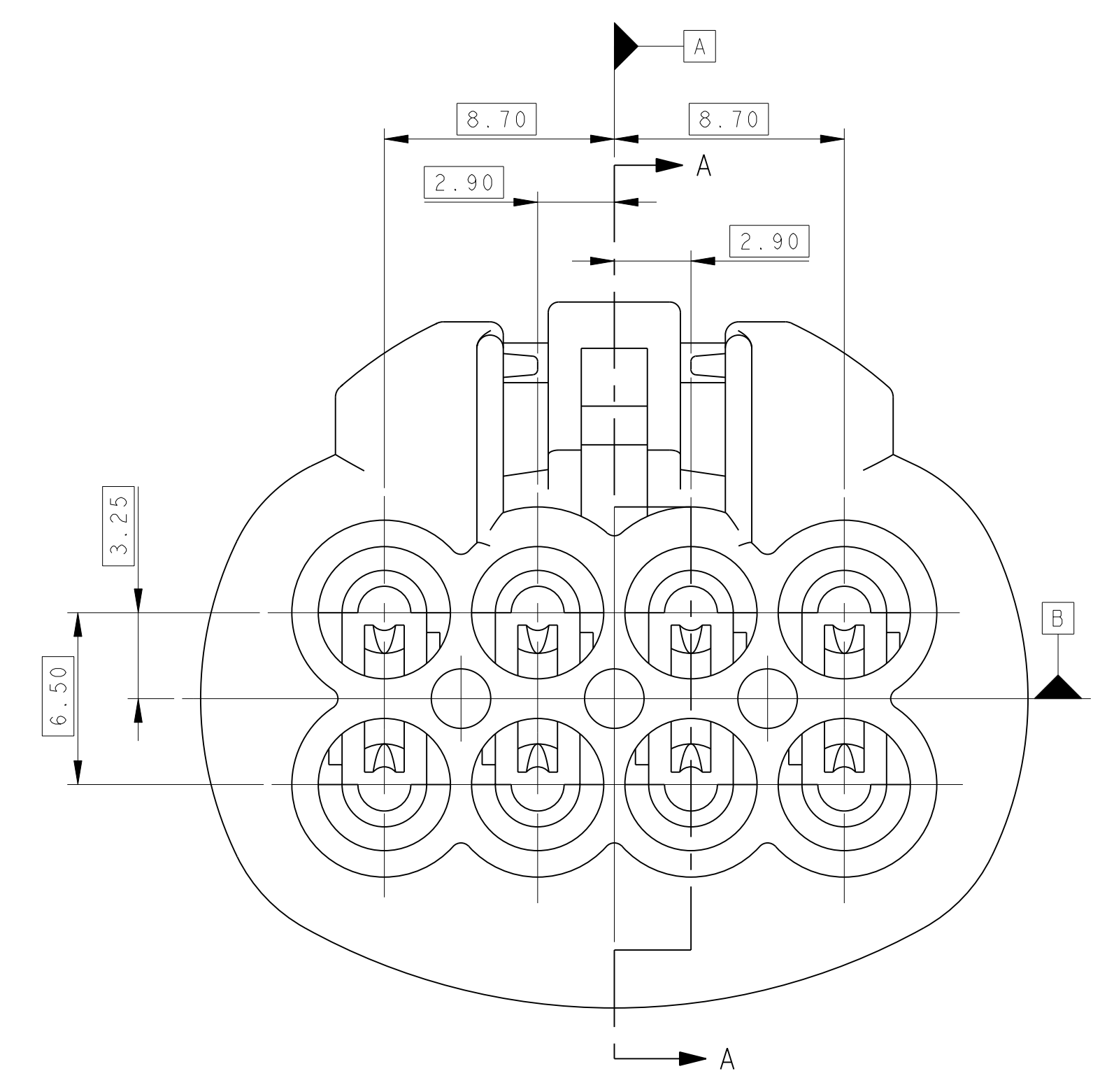
**1 HOUSING WITHOUT RETAINER**  
 WATERPROOF /  
 NOT WATERPROOF



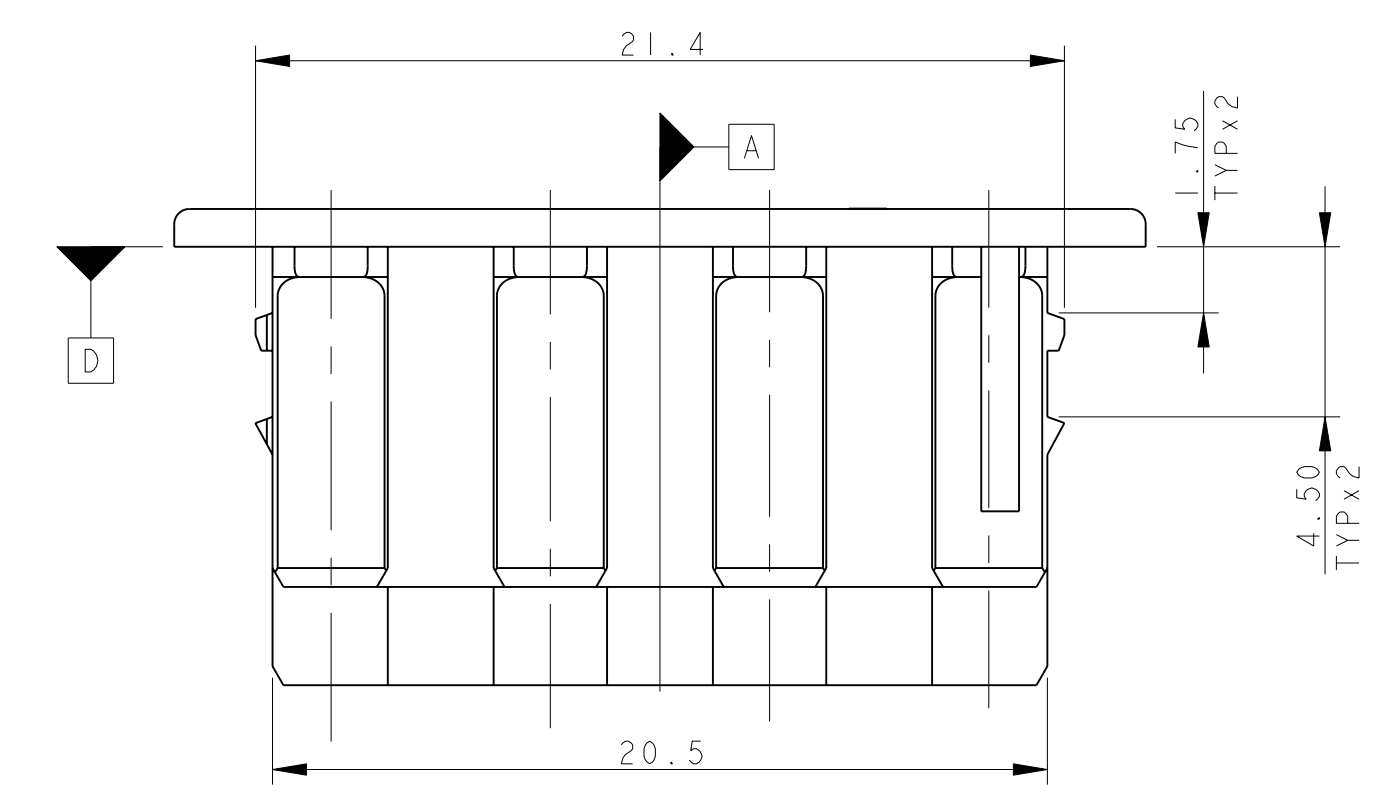
SECTION A-A



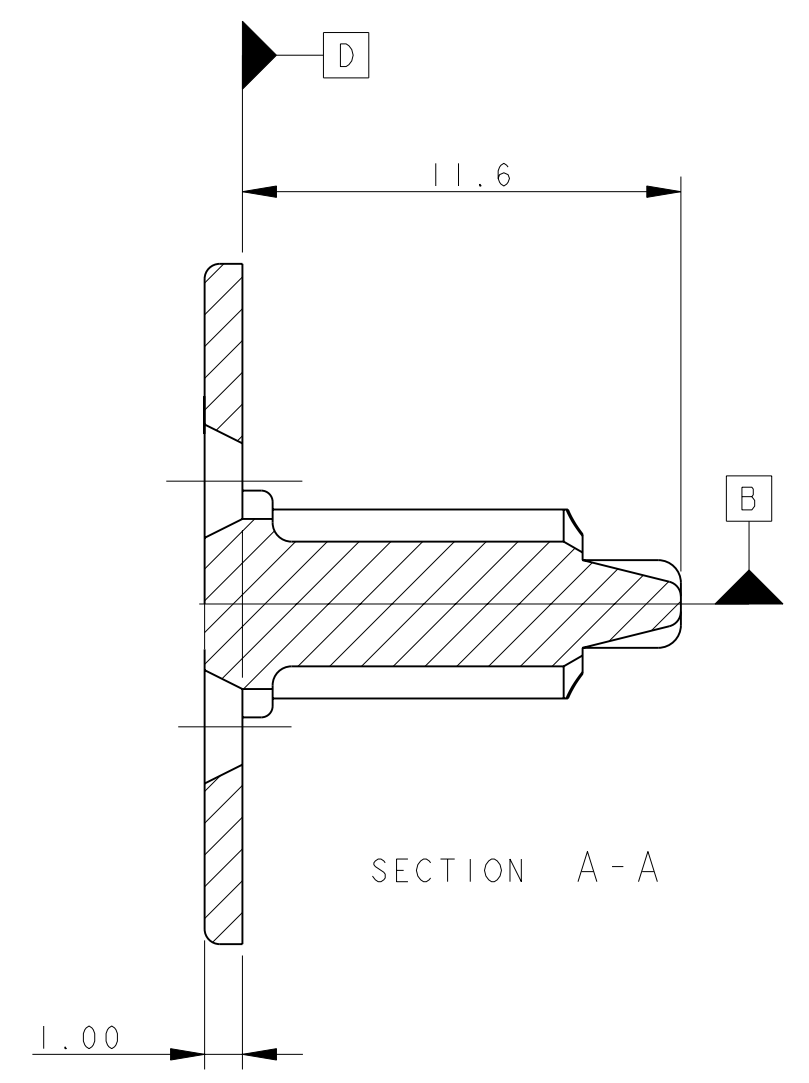
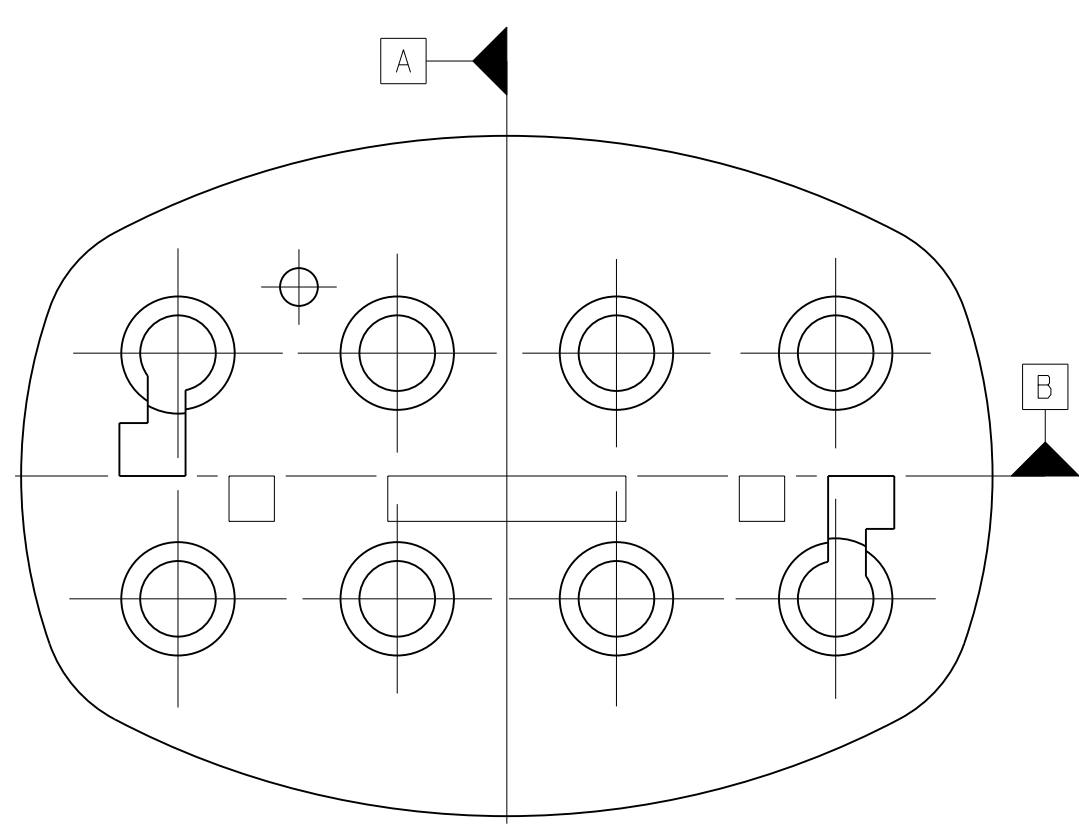
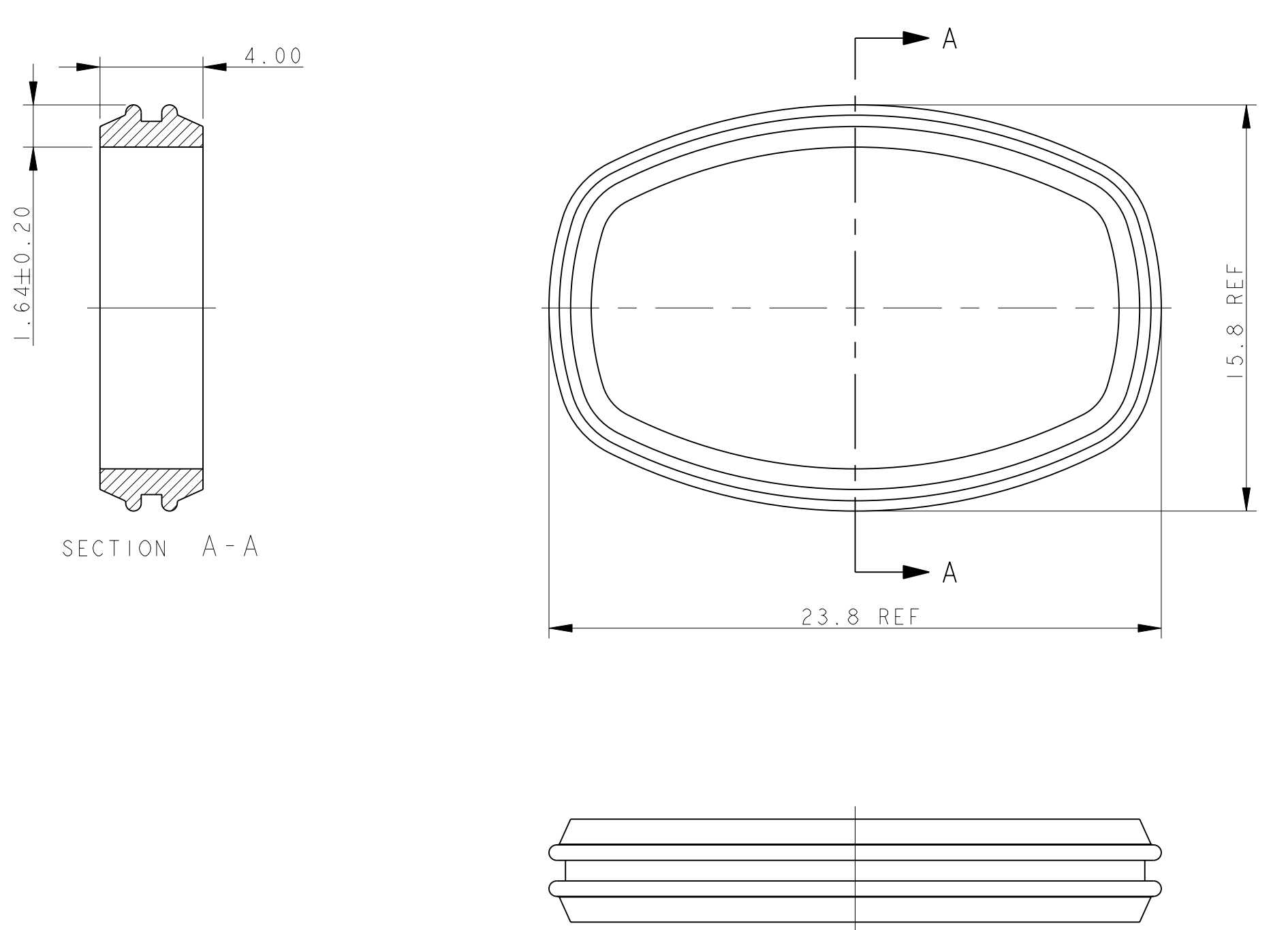
SECTION B-B



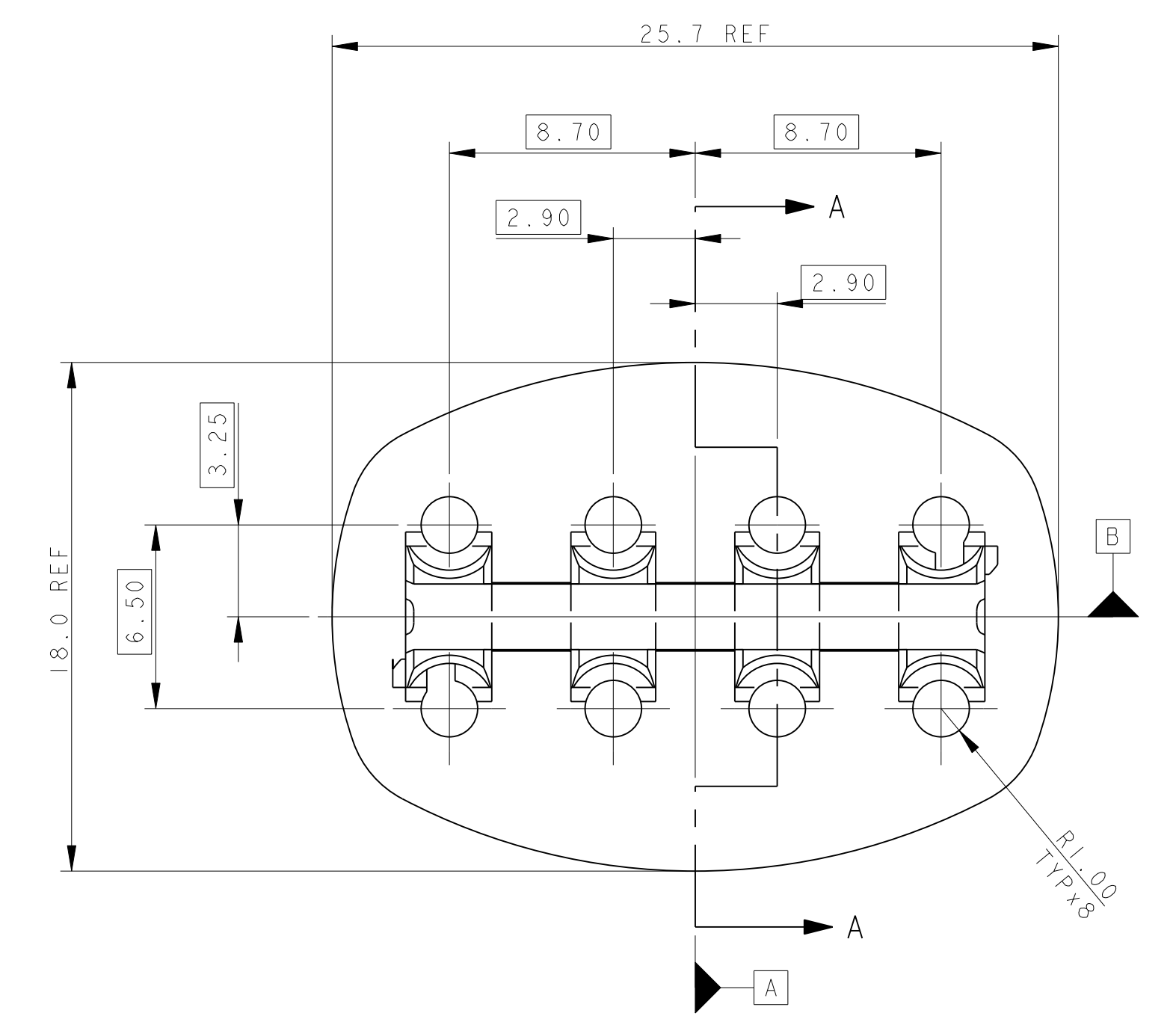
**2 SPACER**  
 WATERPROOF (LIGHT BLUE)  
 NOT WATERPROOF (RED)



**3 SEAL**  
 WATERPROOF



SECTION A-A



THIS DRAWING IS A CONTROLLED DOCUMENT.		DRW: W. PALM 21FEB2006	NAME: 1.6mm SYSTEM
DIMENSIONS: UNLESS OTHERWISE SPECIFIED:		CHK: S. MARTIN 21FEB2006	8 WAYS CONNECTOR
EVEN: 0 P/PC 0		APP: A. GENTIL 21FEB2006	MALE
1 P/PC 0		PRODUCT SPEC: 108-20269	SIZE: CASE CODE (DRAWING NO)
2 P/PC 0		APPLICATION SPEC: 411-20111	RESTRICTED TO: -
3 P/PC 0		SCALE: A0 00779	SCALE: 5:1
4 P/PC 0		REIGHT: SEE TABLE	SHEET: 2 OF 3
MATERIAL: SEE TABLE		CUSTOMER DRAWING	REV: A4

LOC	DIST	REVISIONS					
		P	LN	DESCRIPTION	DATE	BY	APPD
		-		SEE SHEET 1	-	-	-

8 WAYS MALE, BLACK (WATERPROOF VERSION WITH RETAINER)	
<b>ASSEMBLY</b>	
T&B UNIVERSAL PART No.	106073
TE CONNECTIVITY PART No.	△1-1437710-9
T&B FORD PART No.	MPIMA-10R8XX
FORD PART No.	89FG-14A464-BHC
TE CONNECTIVITY PART No.	4-1437710-6

△ OBSOLETE, SUPERSEDED BY 4-1437710-6

8 WAYS MALE, BLACK (WATERPROOF VERSION WITHOUT RETAINER)	
<b>ASSEMBLY</b>	
T&B UNIVERSAL PART No.	106071
TE CONNECTIVITY PART No.	△1-1437710-8
T&B FORD PART No.	MPIMA-1008XX
FORD PART No.	89FG-14A464-AHB
TE CONNECTIVITY PART No.	4-1437710-5

△ OBSOLETE, SUPERSEDED BY 4-1437710-5

8 WAYS MALE, BLACK (NON-WATERPROOF VERSION WITH RETAINER)	
<b>ASSEMBLY</b>	
T&B UNIVERSAL PART No.	106074
TE CONNECTIVITY PART No.	△2-1437710-1
T&B FORD PART No.	MPIMA-1AR8XX
FORD PART No.	89FG-14489-BHC
TE CONNECTIVITY PART No.	4-1437710-8

△ OBSOLETE, SUPERSEDED BY 4-1437710-8

8 WAYS MALE, BLACK (NON-WATERPROOF VERSION WITHOUT RETAINER)	
<b>ASSEMBLY</b>	
T&B UNIVERSAL PART No.	106072
TE CONNECTIVITY PART No.	-
T&B FORD PART No.	MPIMA-1A08XX
FORD PART No.	89FG-14489-AHB
TE CONNECTIVITY PART No.	4-1437710-7

8 WAYS MALE, NATURAL (WATERPROOF VERSION WITH RETAINER)	
<b>ASSEMBLY</b>	
T&B UNIVERSAL PART No.	106073-W
TE CONNECTIVITY PART No.	-
T&B FORD PART No.	MPIMA-20R8XX
FORD PART No.	92GG-14A464-BHB
TE CONNECTIVITY PART No.	5-1437710-0

8 WAYS MALE, NATURAL (WATERPROOF VERSION WITHOUT RETAINER)	
<b>ASSEMBLY</b>	
T&B UNIVERSAL PART No.	106071-W
TE CONNECTIVITY PART No.	-
T&B FORD PART No.	MPIMA-2008XX
FORD PART No.	92GG-14A464-AHA
TE CONNECTIVITY PART No.	4-1437710-9

8 WAYS MALE, NATURAL (NON-WATERPROOF VERSION WITH RETAINER)	
<b>ASSEMBLY</b>	
T&B UNIVERSAL PART No.	106074-W
TE CONNECTIVITY PART No.	-
T&B FORD PART No.	MPIMA-2AR8XX
FORD PART No.	92GG-14489-BHC
TE CONNECTIVITY PART No.	5-1437710-2

8 WAYS MALE, NATURAL (NON-WATERPROOF VERSION WITHOUT RETAINER)	
<b>ASSEMBLY</b>	
T&B UNIVERSAL PART No.	106072-W
TE CONNECTIVITY PART No.	-
T&B FORD PART No.	MPIMA-2A08XX
FORD PART No.	92GG-14489-AHB
TE CONNECTIVITY PART No.	5-1437710-1


8 WAYS MALE, RED (WATERPROOF VERSION WITH RETAINER)	
<b>ASSEMBLY</b>	
T&B UNIVERSAL PART No.	106073-R
TE CONNECTIVITY PART No.	△2-1437710-0
T&B FORD PART No.	MPIMA-R0R8XX
FORD PART No.	92GG-14A464-BHB
TE CONNECTIVITY PART No.	4-1437709-5

△ OBSOLETE, SUPERSEDED BY 4-1437709-5

8 WAYS MALE, RED (WATERPROOF VERSION WITHOUT RETAINER)	
<b>ASSEMBLY</b>	
T&B UNIVERSAL PART No.	106071-R
TE CONNECTIVITY PART No.	-
T&B FORD PART No.	MPIMA-R008XX
FORD PART No.	92GG-14A464-AHA
TE CONNECTIVITY PART No.	-

8 WAYS MALE, RED (NON-WATERPROOF VERSION WITH RETAINER)	
<b>ASSEMBLY</b>	
T&B UNIVERSAL PART No.	106074-R
TE CONNECTIVITY PART No.	-
T&B FORD PART No.	MPIMA-RAR8XX
FORD PART No.	92GG-14489-BHC
TE CONNECTIVITY PART No.	-

8 WAYS MALE, RED (NON-WATERPROOF VERSION WITHOUT RETAINER)	
<b>ASSEMBLY</b>	
T&B UNIVERSAL PART No.	106072-R
TE CONNECTIVITY PART No.	-
T&B FORD PART No.	MPIMA-RA08XX
FORD PART No.	92GG-14489-AHB
TE CONNECTIVITY PART No.	-

THIS DRAWING IS A CONTROLLED DOCUMENT.		DWG: W. PALMI 21FEB2006 CDR: G. MARTINI 21FEB2006 APPR: G. GENTILE 21FEB2006	 TE Connectivity
DIMENSIONS: 0 DIMENSIONS: 1 DIMENSIONS: 2 DIMENSIONS: 3 DIMENSIONS: 4 DIMENSIONS: 5 DIMENSIONS: 6 DIMENSIONS: 7 DIMENSIONS: 8 DIMENSIONS: 9 DIMENSIONS: 10	TOLERANCES UNLESS OTHERWISE SPECIFIED: 0 PLC ±0.3 1 PLC ±0.1 2 PLC ±0.1 3 PLC ±0.1 4 PLC ±0.1 5 PLC ±0.1 6 PLC ±0.1 7 PLC ±0.1 8 PLC ±0.1 9 PLC ±0.1 10 PLC ±0.1	NAME: 1.6mm SYSTEM 8 WAYS CONNECTOR MALE PRODUCT SPEC: 108-20269 APPLICATION SPEC: 411-20111 SIZE: CASE CODE (DRAWING NO): 00779 CUSTOMER DRAWING: 1418077	SHEET: 3 OF 3 SCALE: 5:1 REV: A4