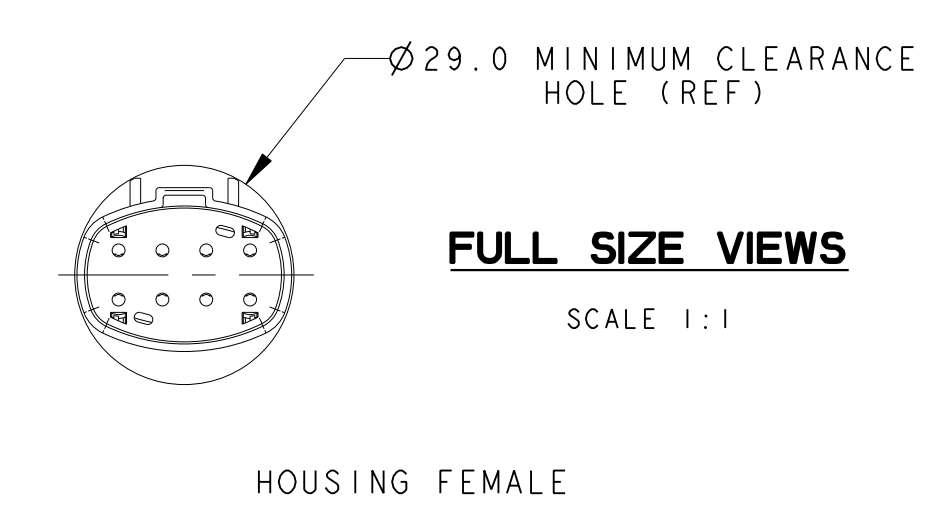
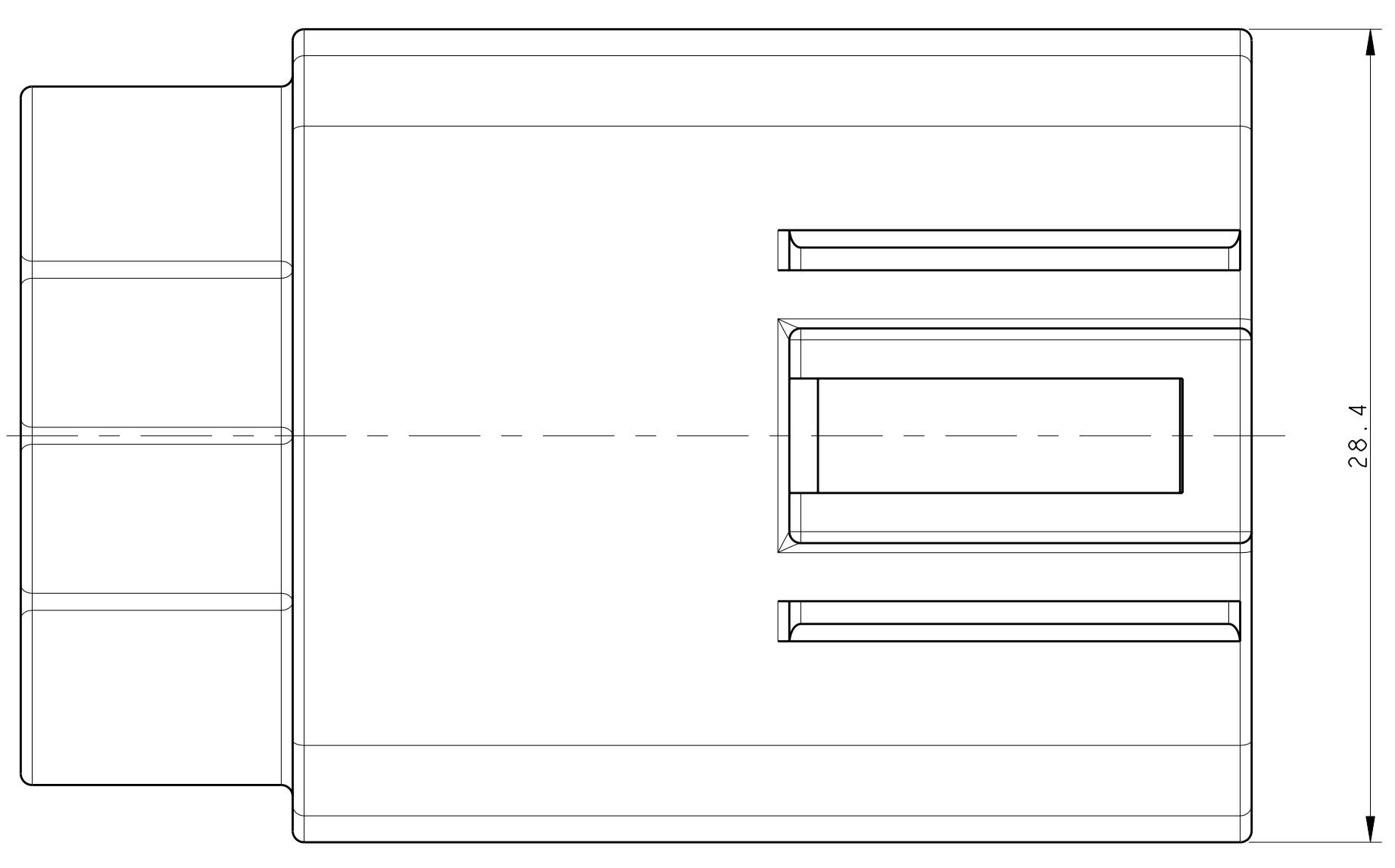
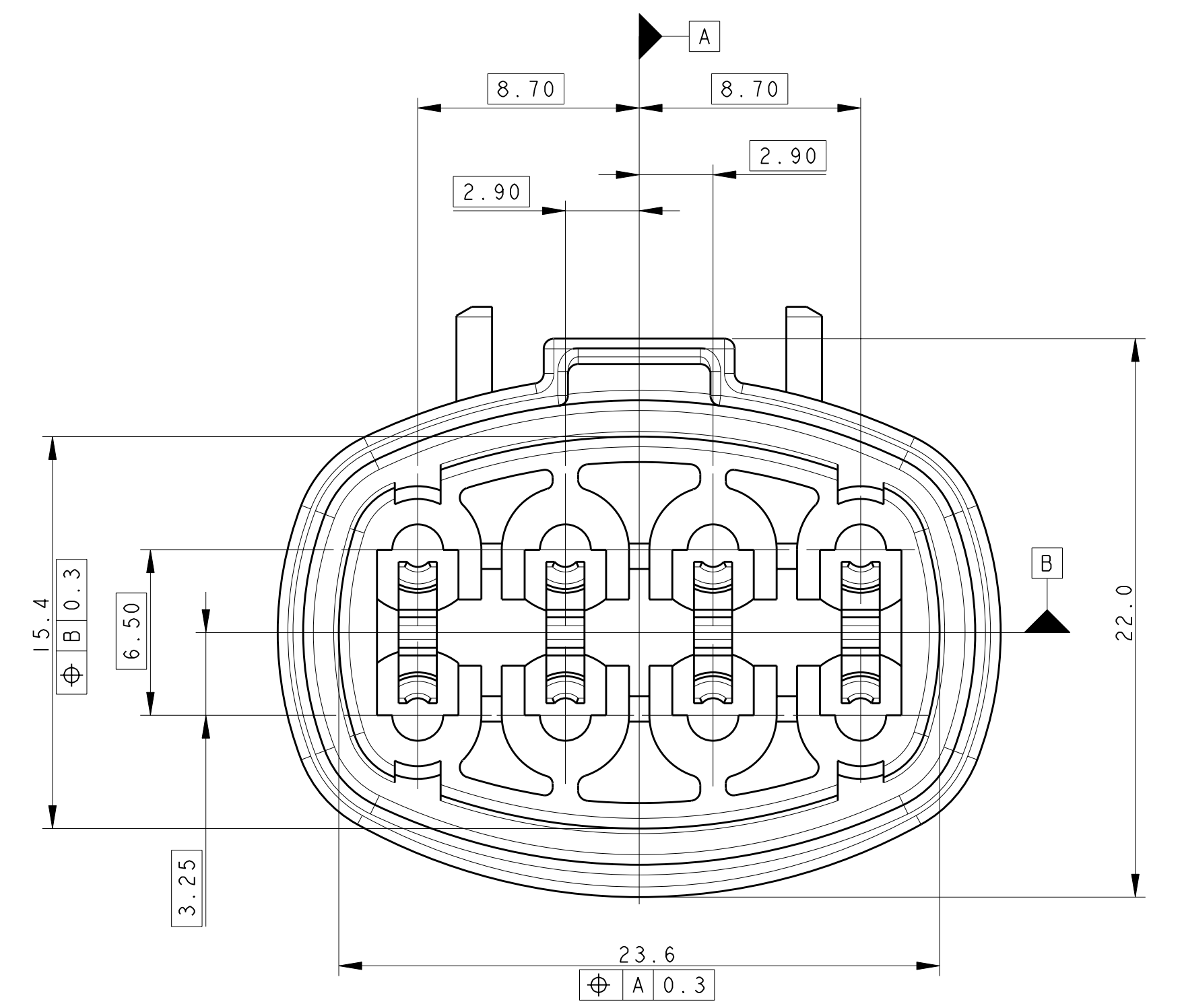
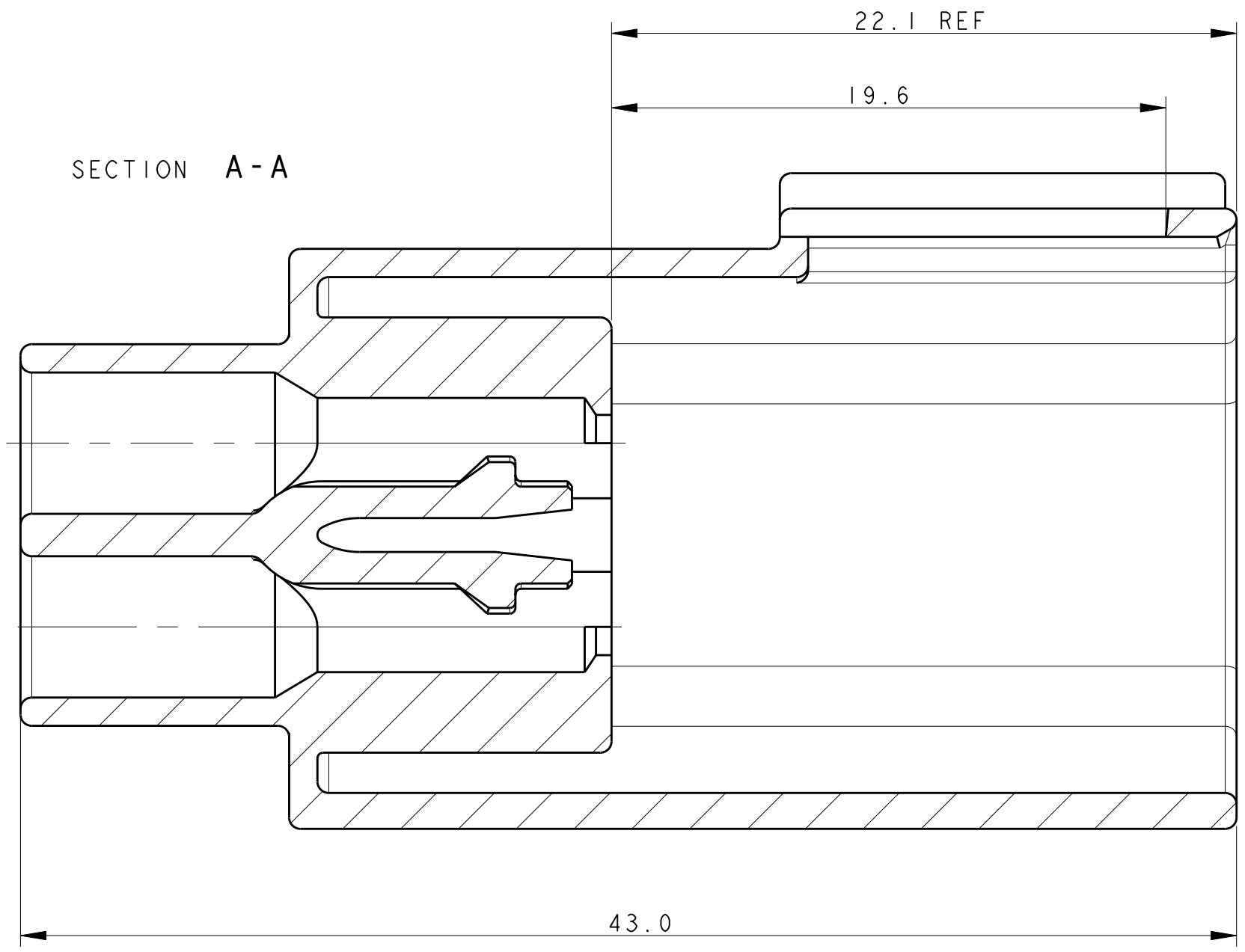
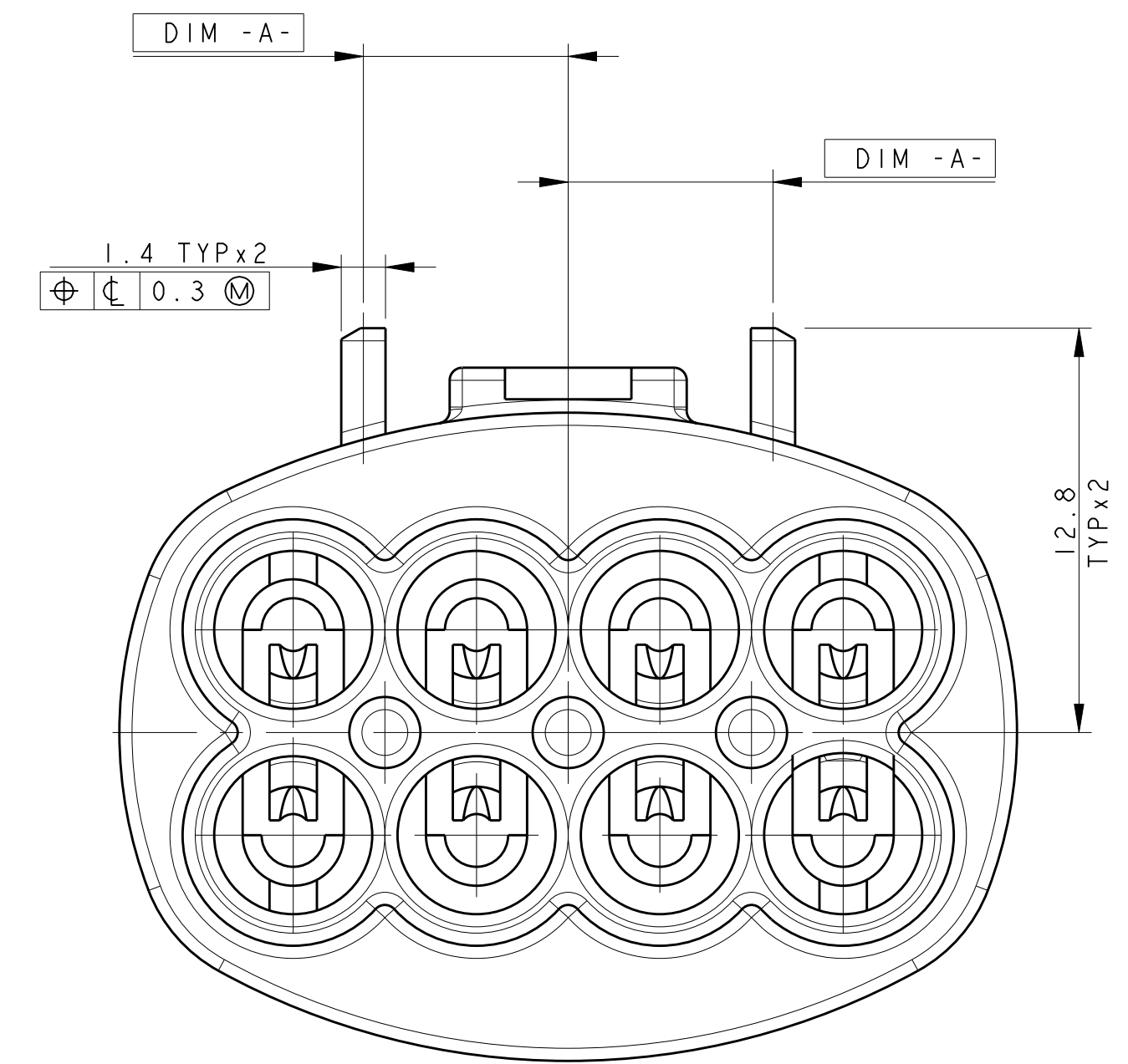


REV	DATE	DESCRIPTION	BY	CHK	APPD
A	EG00-2687-01				
A1	21FEB2006	REDRAWN AND REVISED FOR ECR-06-003008	M.P. R.M.		
A2	16MAY2008	REDRAWN FOR ECR-08-011466	D.S. R.M.		

1 HOUSING
 WATERPROOF /
 NON WATERPROOF



REV	DESCRIPTION	ITEM
I	HOUSING COLOUR BLACK	1
I	HOUSING COLOUR NATURAL	1
I	HOUSING COLOUR RED	1
I	SPACER COLOUR RED	2



2-1437712-2	REVA
2-1437712-3	REVA
1-1437712-3	REVA

8 WAYS FEMALE, BLACK		TYPE	DIM -A-
ASSEMBLY			
T&B UNIVERSAL PART No.	106069 / 106070	-	6.48 BSC
TYCO ELECTRONICS PART No.	2-1437712-2	-	
T&B FORD PART No.	MPINA-1008XX	WATERPROOF	6.48 BSC
FORD PART No.	89FG-14A624-AHB		
TYCO ELECTRONICS PART No.	2-1437712-2	NON WATERPROOF	-
T&B FORD PART No.	MPINA-1A08XX		
FORD PART No.	89FG-14A459-AHB		
TYCO ELECTRONICS PART No.	-		

8 WAYS FEMALE, RED		TYPE	DIM -A-
ASSEMBLY			
T&B UNIVERSAL PART No.	106069 / 106070-R	-	6.48 BSC
TYCO ELECTRONICS PART No.	1-1437712-3	-	
T&B FORD PART No.	MPINA-R008XX	WATERPROOF	8.25 BSC
FORD PART No.	92GG-14A624-AHB		
TYCO ELECTRONICS PART No.	1-1437712-3	NON WATERPROOF	-
T&B FORD PART No.	MPINA-RA08XX		
FORD PART No.	92GG-14A459-AHB		
TYCO ELECTRONICS PART No.	-		

8 WAYS FEMALE, NATURAL		TYPE	DIM -A-
ASSEMBLY			
T&B UNIVERSAL PART No.	106069 / 106070-W	-	8.25 BSC
TYCO ELECTRONICS PART No.	2-1437712-3	-	
T&B FORD PART No.	MPINA-2008XX	WATERPROOF	8.25 BSC
FORD PART No.	92GG-14A624-AHB		
TYCO ELECTRONICS PART No.	2-1437712-3	NON WATERPROOF	-
T&B FORD PART No.	MPINA-2A08XX		
FORD PART No.	92GG-14A459-AHB		
TYCO ELECTRONICS PART No.	-		

PART AS SUPPLIED				COMPONENTS		COLOURS		MATERIALS	
TYCO ELECTRONICS PART No.	DESCRIPTION	WATERPROOF	WEIGHT	1 HOUSING	2 SPACER	1 HOUSING	2 SPACER	1 HOUSING	2 SPACER
2-1437712-2	8 WAY FEMALE CONNECTOR	YES	11.3gr.	I	I	BLACK	RED	PBTP 33% GF	PBTP 33% GF
	8 WAY FEMALE CONNECTOR	NO	11.3gr.	I	I				

SUITABLE FOR		
TERMINAL MALE	WIRE SEAL	BLIND PLUG
0-1437709-6 (0.22-0.35mm ²) GOLD PLATED 0-1437709-7 (0.50-1.00mm ²) GOLD PLATED	1-1437713-1 (0.22-0.35) BLACK 1-1437713-2 (0.50-1.00) RED 1-1437713-3 (1.50) BLUE	I-1437713-4
1-1437709-1 (0.22-0.35mm ²) TIN PLATED 1-1437709-2 (0.50-1.00mm ²) TIN PLATED 1-1437709-3 (1.50mm ²) TIN PLATED		

MATING PARTS	
TYCO ELECTRONICS PART No.	DESCRIPTION
4-1437710-5	8 WAY MALE CONNECTOR
4-1437710-6	8 WAY MALE CONNECTOR WITH RETAINER
4-1437710-7	8 WAY MALE CONNECTOR
4-1437710-8	8 WAY MALE CONNECTOR WITH RETAINER

PART AS SUPPLIED				COMPONENTS		COLOURS		MATERIALS	
TYCO ELECTRONICS PART No.	DESCRIPTION	WATERPROOF	WEIGHT	1 HOUSING	2 SPACER	1 HOUSING	2 SPACER	1 HOUSING	2 SPACER
2-1437712-3	8 WAY FEMALE CONNECTOR	YES	11.3gr.	I	I	NATURAL	RED	PBTP 33% GF	PBTP 33% GF
	8 WAY FEMALE CONNECTOR	NO	11.3gr.	I	I				

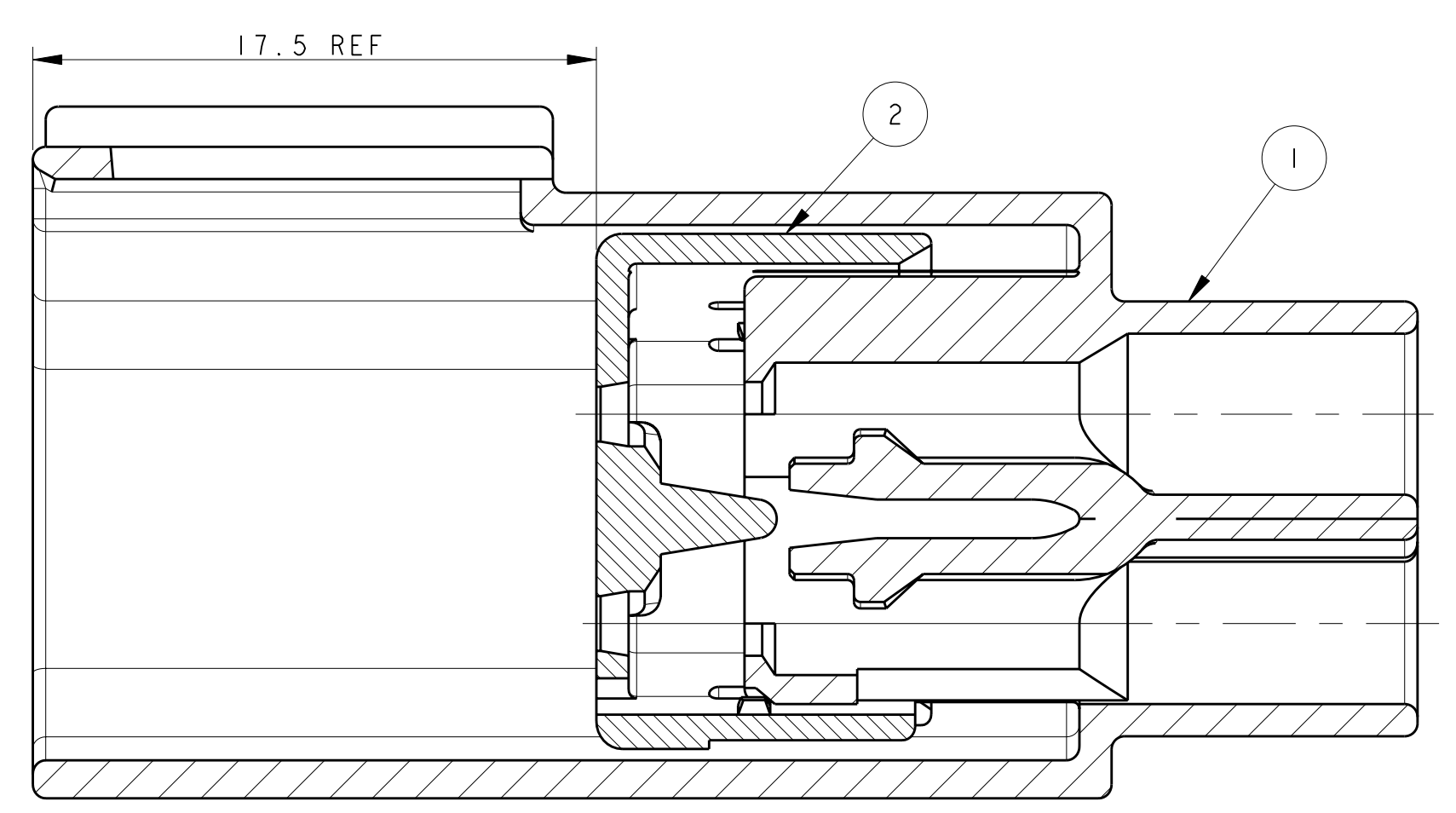
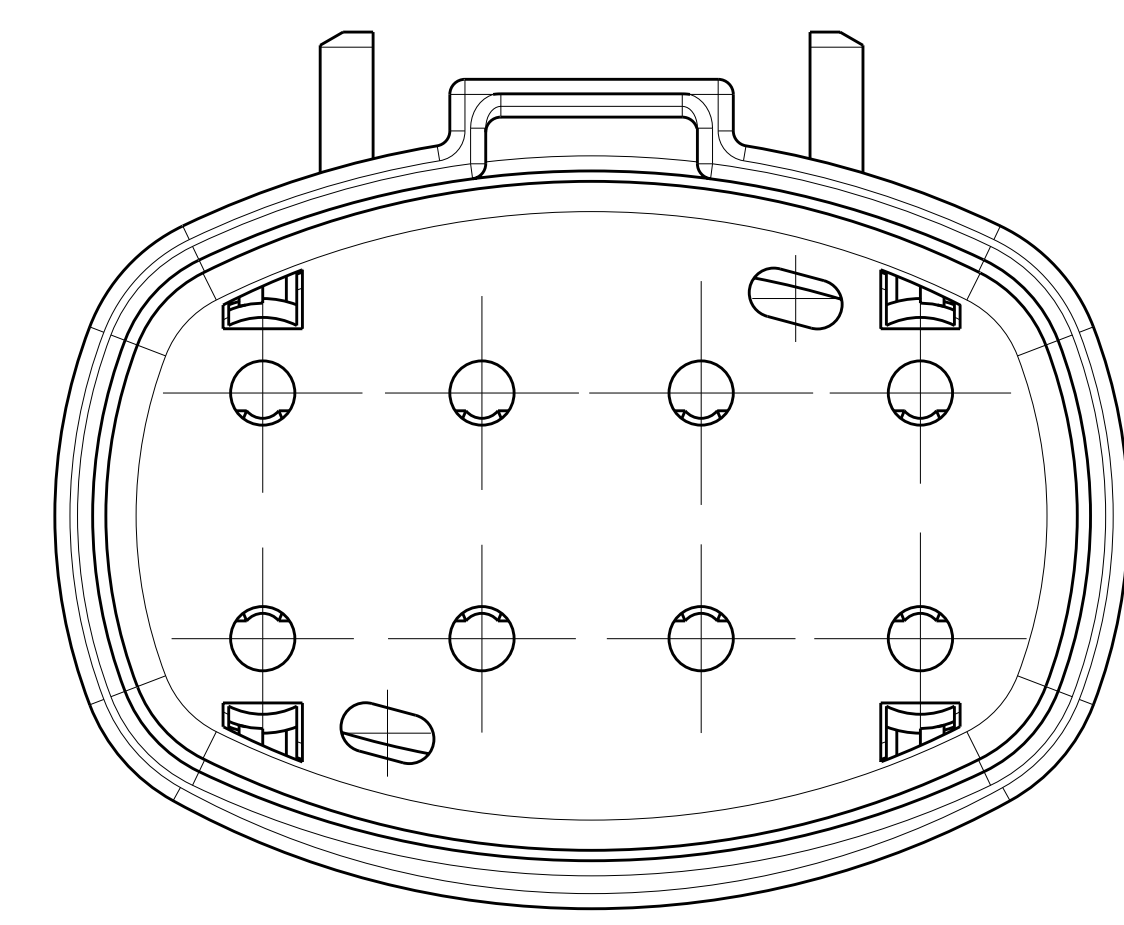
SUITABLE FOR		
TERMINAL MALE	WIRE SEAL	BLIND PLUG
0-1437709-6 (0.22-0.35mm ²) GOLD PLATED 0-1437709-7 (0.50-1.00mm ²) GOLD PLATED	1-1437713-1 (0.22-0.35) BLACK 1-1437713-2 (0.50-1.00) RED 1-1437713-3 (1.50) BLUE	I-1437713-4
1-1437709-1 (0.22-0.35mm ²) TIN PLATED 1-1437709-2 (0.50-1.00mm ²) TIN PLATED 1-1437709-3 (1.50mm ²) TIN PLATED		

MATING PARTS	
TYCO ELECTRONICS PART No.	DESCRIPTION
4-1437710-9	8 WAY MALE CONNECTOR
5-1437710-0	8 WAY MALE CONNECTOR WITH RETAINER
5-1437710-1	8 WAY MALE CONNECTOR
5-1437710-2	8 WAY MALE CONNECTOR WITH RETAINER

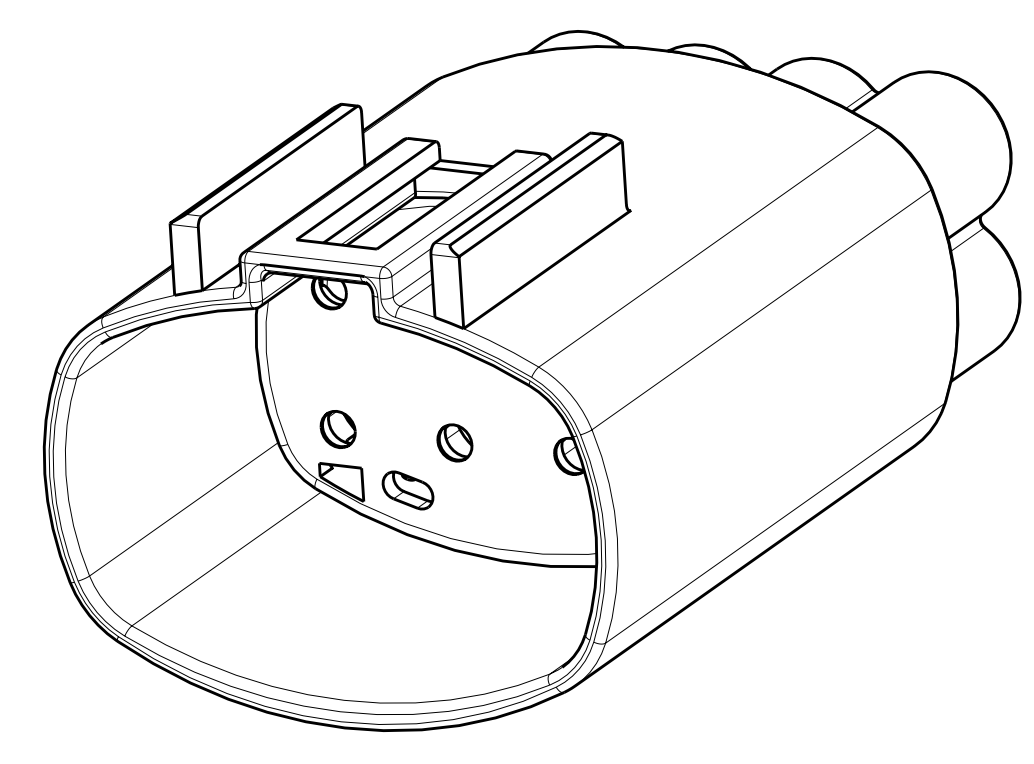
PART AS SUPPLIED				COMPONENTS		COLOURS		MATERIALS	
TYCO ELECTRONICS PART No.	DESCRIPTION	WATERPROOF	WEIGHT	1 HOUSING	2 SPACER	1 HOUSING	2 SPACER	1 HOUSING	2 SPACER
1-1437712-3	8 WAY FEMALE CONNECTOR	YES	11.3gr.	I	I	RED	RED	PBTP 33% GF	PBTP 33% GF
	8 WAY FEMALE CONNECTOR	NO	11.3gr.	I	I				

SUITABLE FOR		
TERMINAL MALE	WIRE SEAL	BLIND PLUG
0-1437709-6 (0.22-0.35mm ²) GOLD PLATED 0-1437709-7 (0.50-1.00mm ²) GOLD PLATED	1-1437713-1 (0.22-0.35) BLACK 1-1437713-2 (0.50-1.00) RED 1-1437713-3 (1.50) BLUE	I-1437713-4
1-1437709-1 (0.22-0.35mm ²) TIN PLATED 1-1437709-2 (0.50-1.00mm ²) TIN PLATED 1-1437709-3 (1.50mm ²) TIN PLATED		

MATING PARTS	
TYCO ELECTRONICS PART No.	DESCRIPTION
-	8 WAY MALE CONNECTOR
4-1437709-5	8 WAY MALE CONNECTOR WITH RETAINER
-	8 WAY MALE CONNECTOR
-	8 WAY MALE CONNECTOR WITH RETAINER



SECTION A-A
 AS SHIPPED FOR WIRE ASSEMBLY
 (SPACER IN PRIMARY LATCH POSITION)



NOTES UNLESS OTHERWISE SPECIFIED:
 1) SEE CHART FOR MATING PART NUMBERS.
 2) THE CONNECTOR IS DESIGNED TO PASS THROUGH A Ø 29.00mm MIN. HOLE

DATE	21FEB2006	BY	M. PALMA	CHKD	R. MARTIN	APPD	A. GENTILE
DESCRIPTION	TYCO ELECTRONICS 8 WAYS CONNECTOR FEMALE						
PRODUCT SPEC	108-20269						
APPLICATION SPEC	411-20111						
REVISION	SEE TABLE						
CUSTOMER DRAWING	SEE TABLE						
SCALE	5:1						
SHEET	1 OF 2						
REV	A2						

