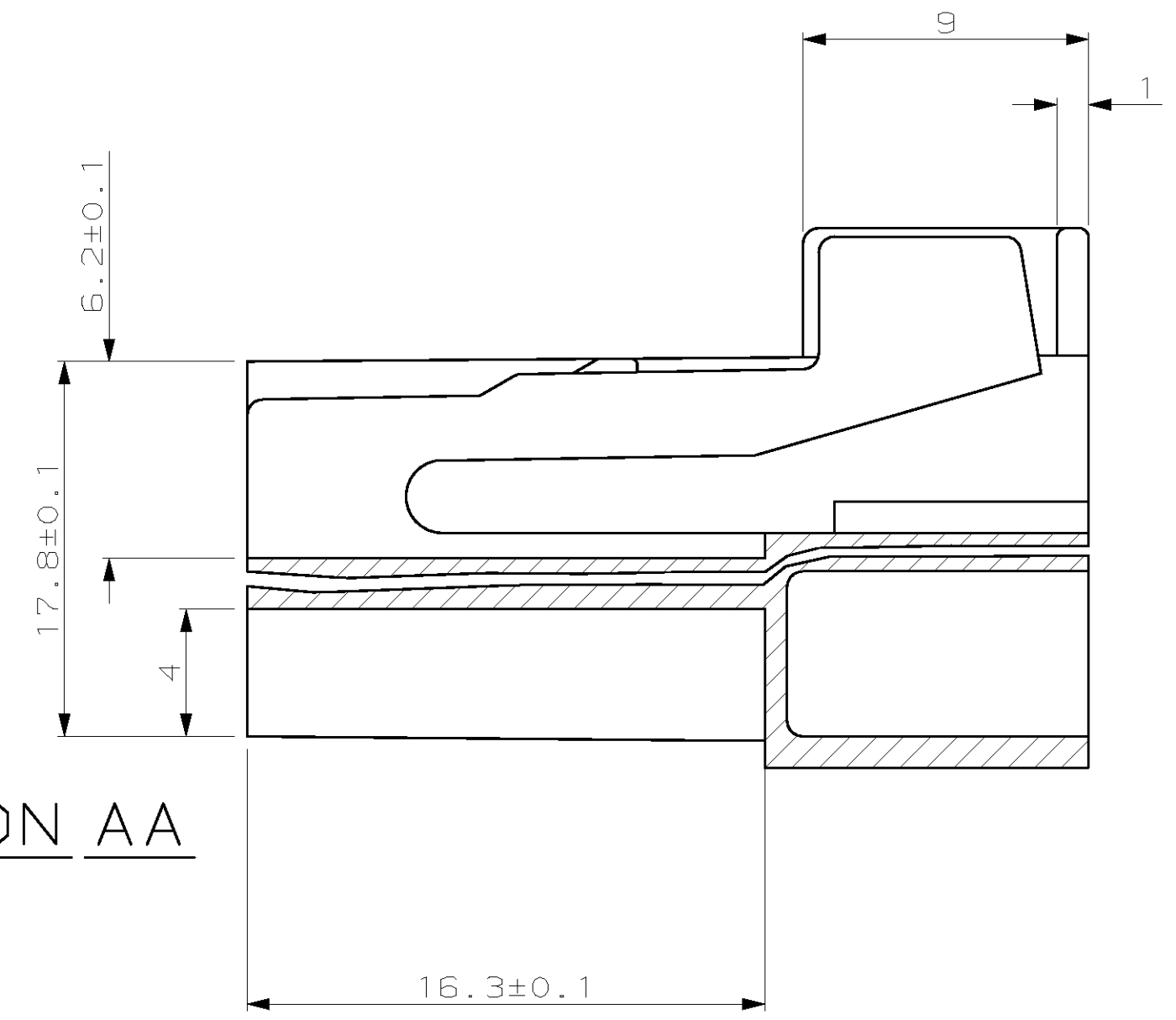
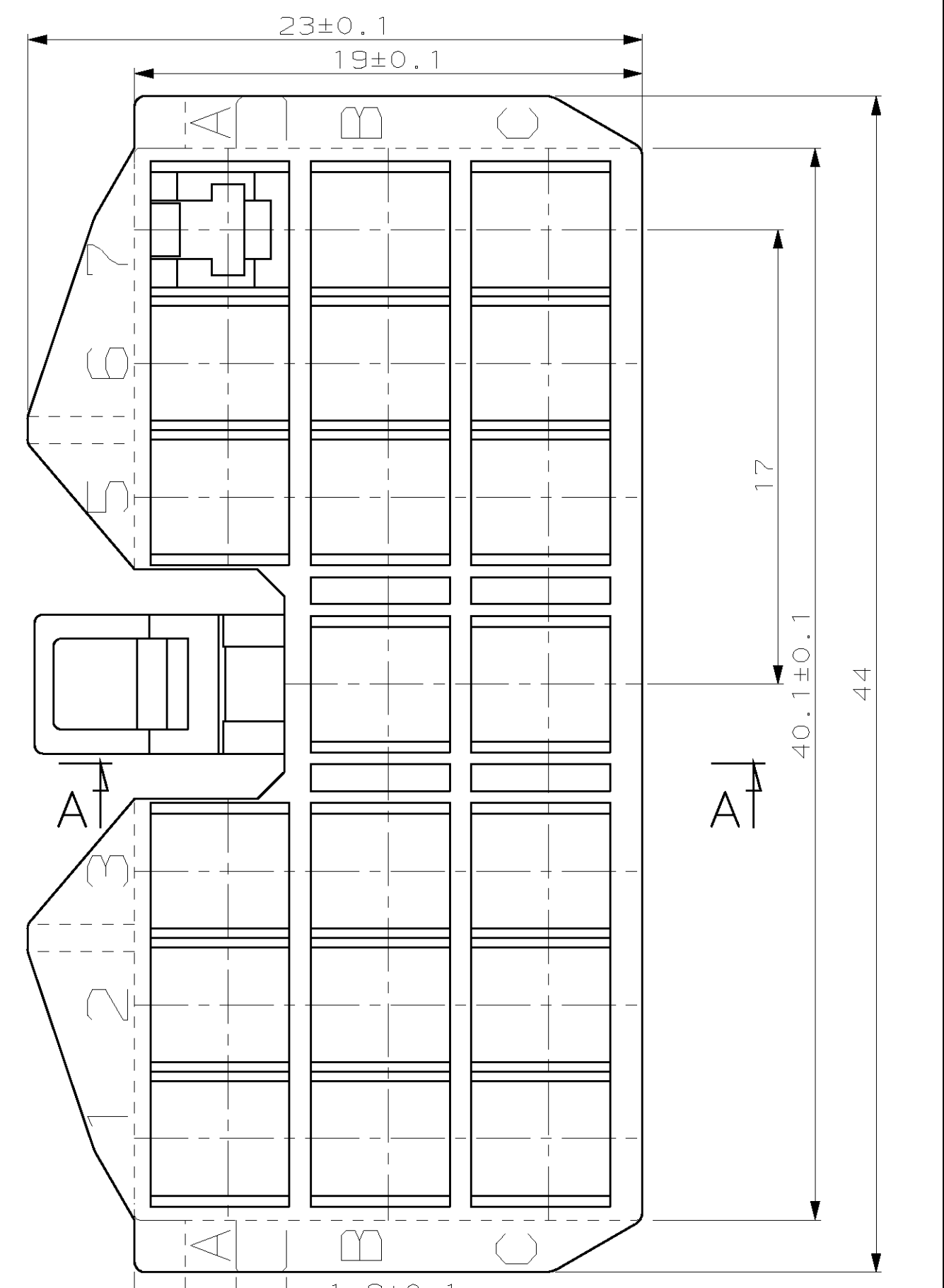
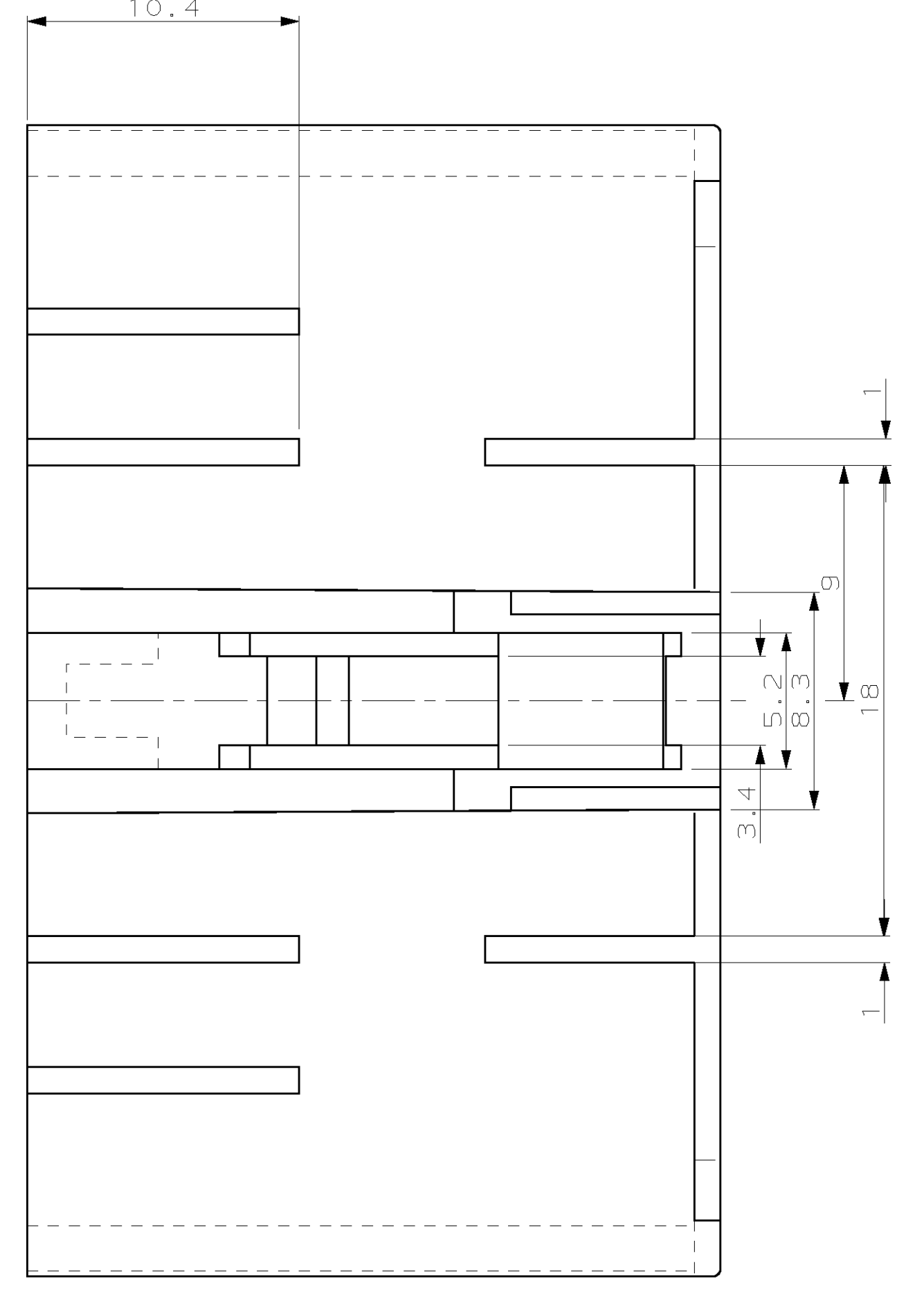
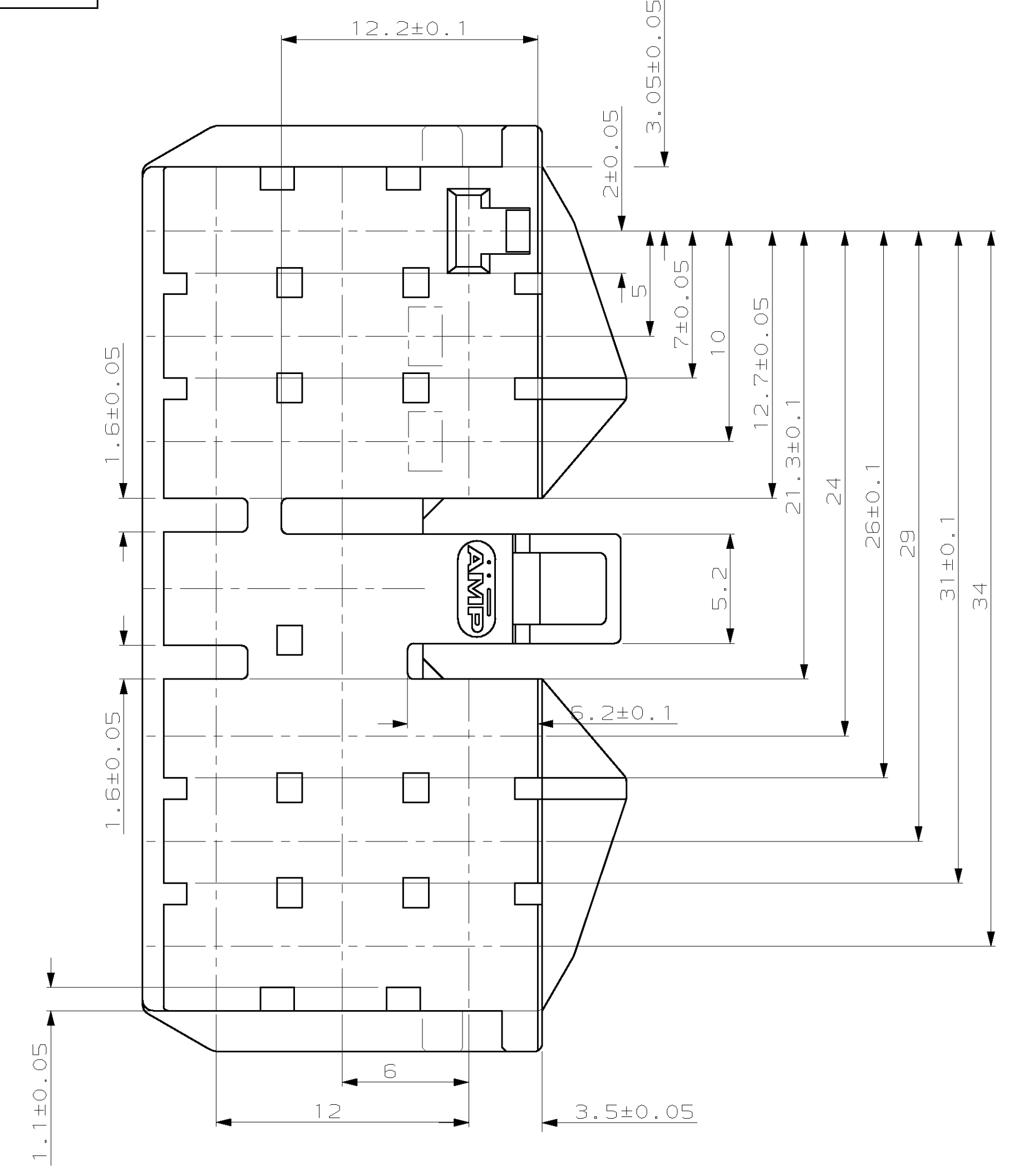
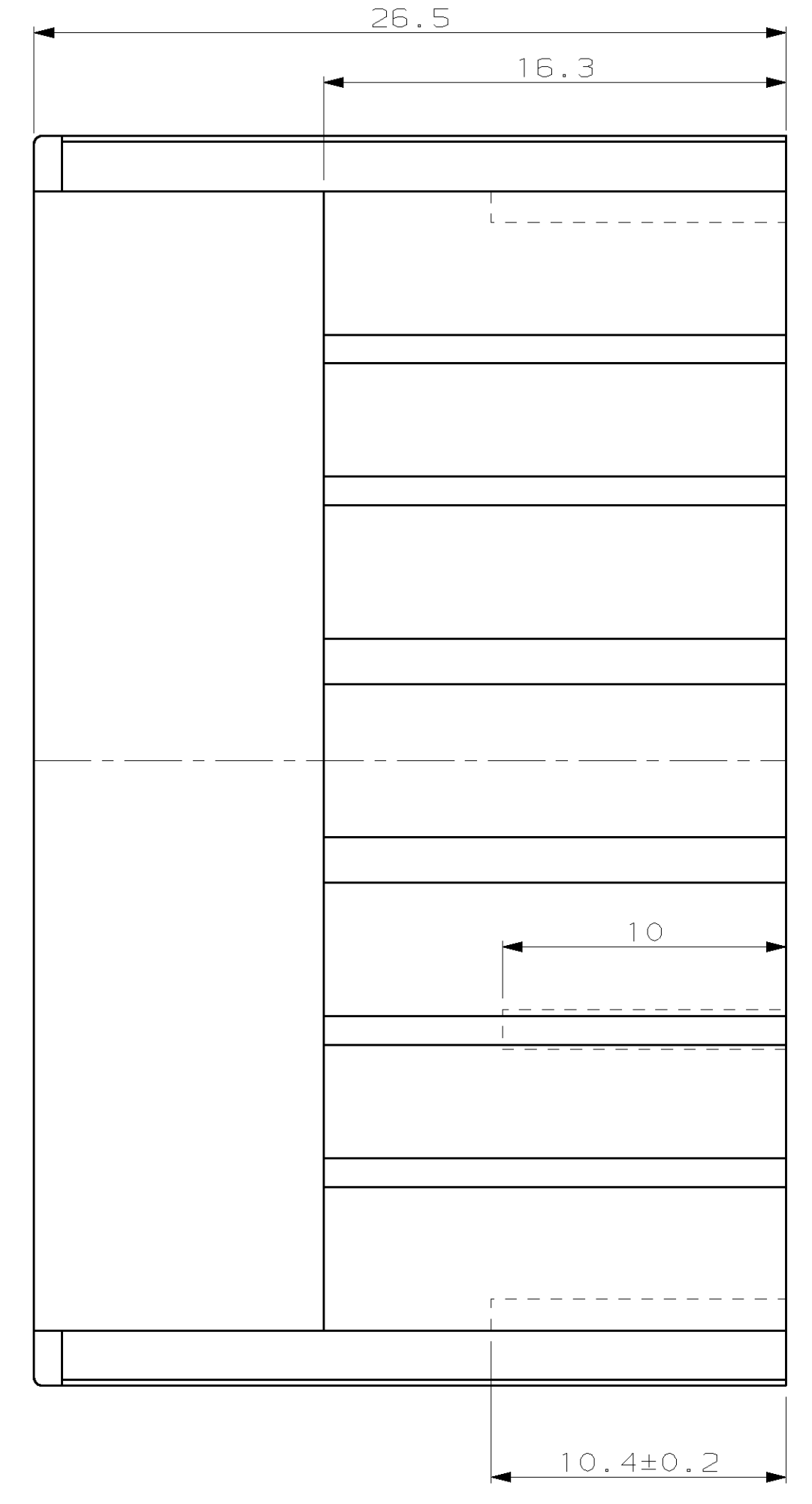
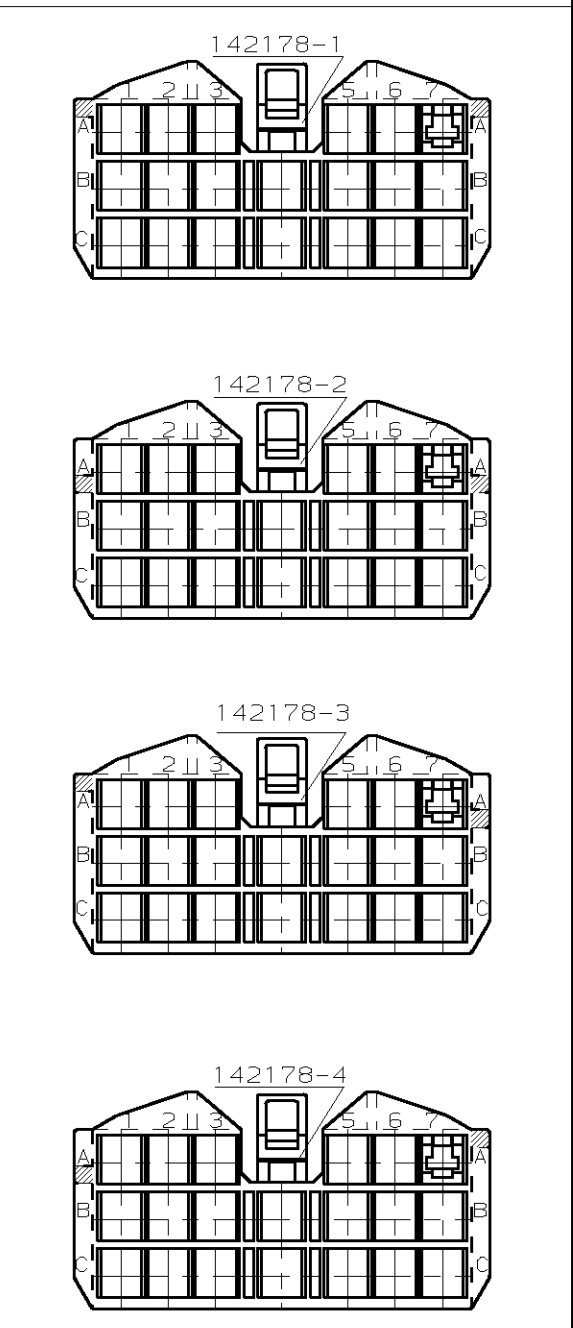


LOC		DIST		REVISIONS			
F	7	LF	REV	DESCRIPTION MODIFICATIONS	DATE	OWN DESS.	APPRO APP.
F	7			COTES ET NOTES ENLEVEES	21-OCT-02	RP	JD



SECTION AA

POLARIZATION TABLE (VIEW F)
(tableau de detrompage)



G	GRAY (gris)	-4
G	BROWN (marron)	-3
G	BLACK (noir)	-2
G	(naturel ou blanc) NATURAL OR WHITE	142178-1
P. R. C.	COLOR (couleur)	P. N.

THIS DRAWING IS A CONTROLLED DOCUMENT. CE PLAN EST UN DOCUMENT CONTROLE.		DW/DESSINE Reini PATIN 21-OCT-02	TYCO ELECTRONICS FRANCE SAS BP 39, 95301 CERGY-PONTOISE CEDEX
DIMENSIONS: mm		CHK/VERIFIE JP PICAUD 21-OCT-02	
TOLERANCES UNLESS OTHERWISE SPECIFIED, (SUJY NB DE DECIMALES): FRACTIONNELLES DECIMALES ±0.2 ±0.1 ±0.05 ±0.025		APPROUVE J. DAHER 21-OCT-02	NAME TITRE PORTE-CLIP 20 VOIES MIC 1
MATERIAL MATERIE PA 6.6		FINISH FINITION -	APPLICATION SPEC SPEC. APPLICATION
WEIGHT MASSE APPROX. -		WEIGHT MASSE APPROX. -	SIZE FORMAT A1
CUSTOMER DRAWING/PLAN CLIENT		ANNUQUETMENT POUR REFERENCE	SCALE EHELLES: 1
		WEIGHT MASSE APPROX. -	RESTRICTED TO -
		WEIGHT MASSE APPROX. -	SHEET FEUILLE 1 DE 1
		WEIGHT MASSE APPROX. -	REV F