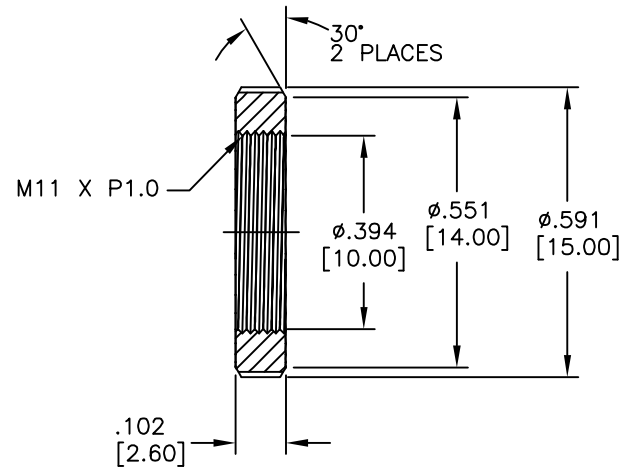
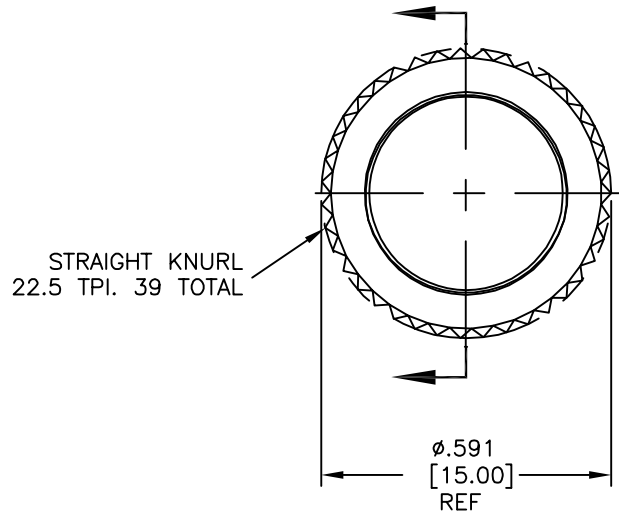
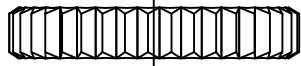


THIS DRAWING IS UNPUBLISHED. RELEASED FOR PUBLICATION
 © COPYRIGHT BY TYCO ELECTRONICS CORPORATION. ALL RIGHTS RESERVED.

LOC	DIST	REVISIONS			
P	LTR	DESCRIPTION	DATE	DWN	APVD
GZ	00	O	NEW FORMAT & EC0610-0437-03	24JUL03	MD WW



THIS DRAWING IS A CONTROLLED DOCUMENT.		DWN M.DAVIS 22JUL03	tyco Electronics		Tyco Electronics Corporation Harrisburg, PA, 17105
DIMENSIONS: INCHES		CHK W.WEISS 22JUL03	NAME METAL KNURL NUT		
TOLERANCES UNLESS OTHERWISE SPECIFIED:		APVD W.WEISS 22JUL03	PRODUCT SPEC ---		
		APPLICATION SPEC ---	SIZE A3	CAGE CODE 00779	DRAWING NO C-1423696-4
MATERIAL BRASS NI PLATED	FINISH ---	WEIGHT ---	RESTRICTED TO ---		REV 0
CUSTOMER DRAWING			SCALE 1:1	SHEET 1 OF 1	REV 0