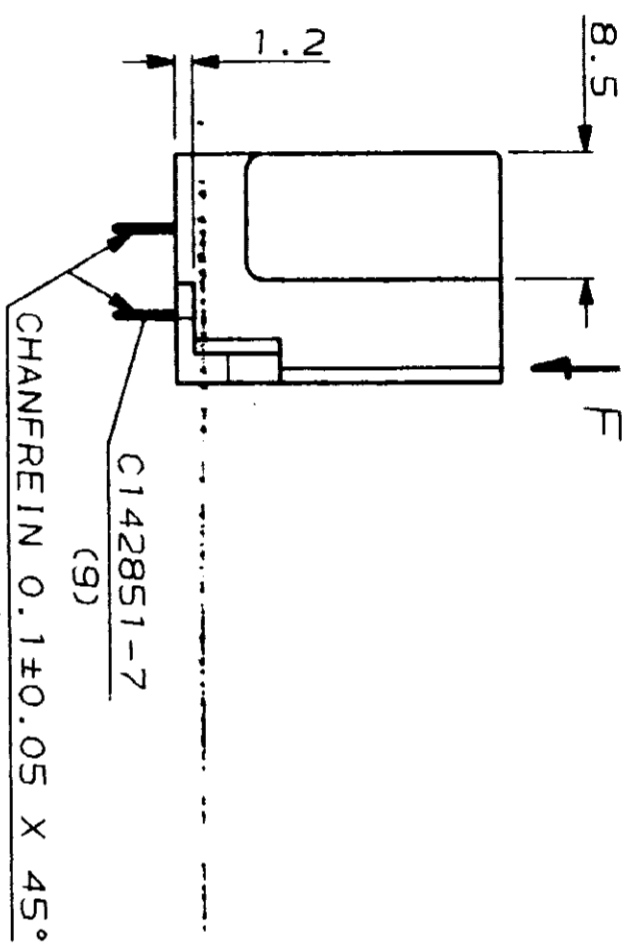
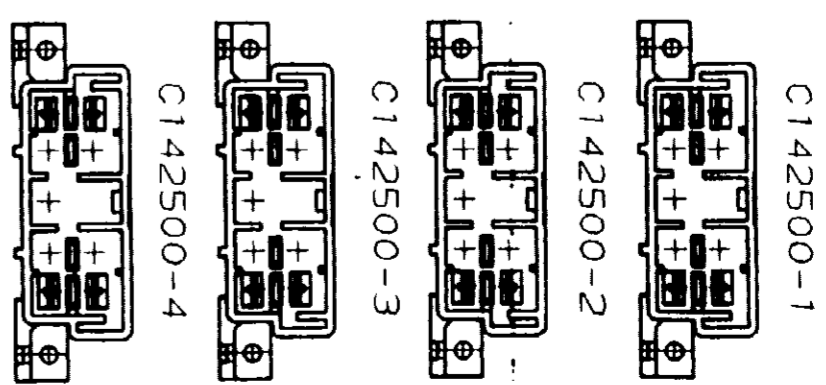


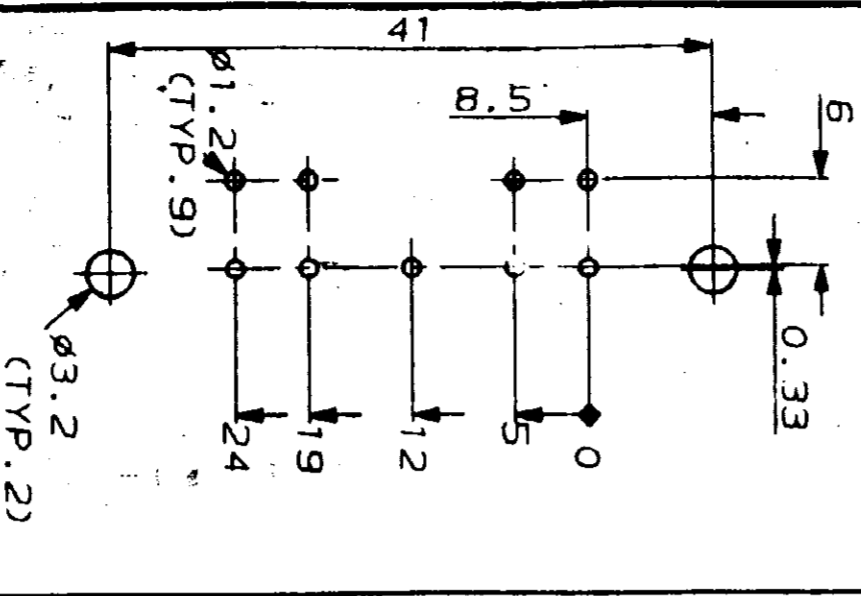
TROUS POUR MONTAGE DU CONNECTEUR SUR C.1.  
 EPAISSEUR: 1,6±0,15  
 TOLERANCE: ±0,1



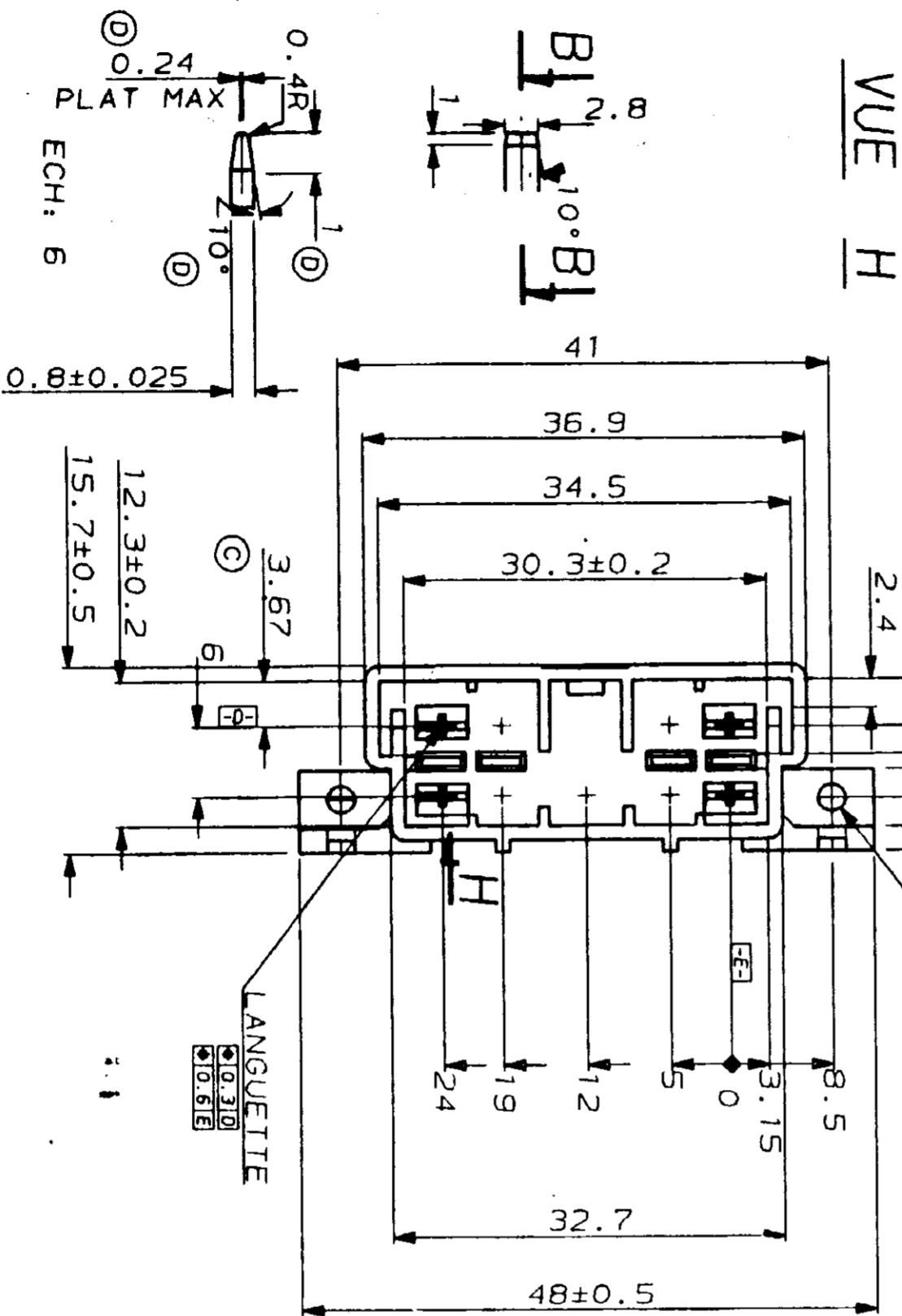
(tableau de détrompage)  
 VUE: F



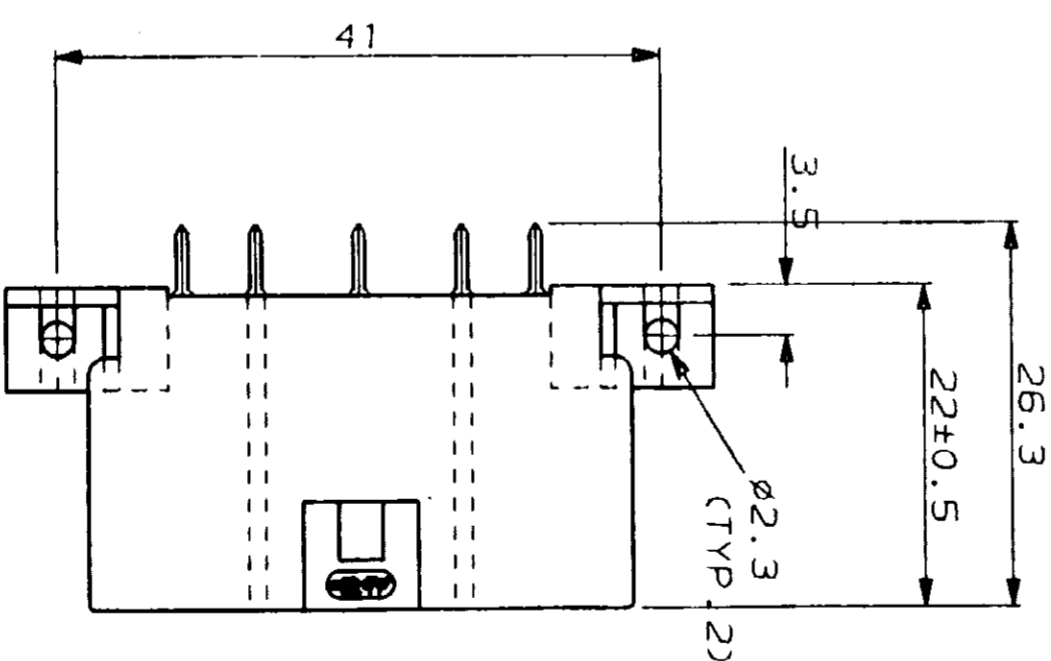
GRIS	-4
MARRON	-3
NOIR	-2
NATUREL OU BLANC (couleur)	C142500-1
REF.	



DETAIL CHANFREIN  
 VUE H



SECTION B-B



REVISION	DESCRIPTION	DATE	DESIGNER	DRIVER	SCALE	TOLERANCES	CLASSIFICATION	ECO	TYPE	N°	REF.
A	REVISION	12.88	CAO	PP	1:1	±0.1	1			C142500	D
B	REVISION	13.88	CAO	PP	1:1	±0.1	1			C142500	D
C	REVISION	13.88	CAO	PP	1:1	±0.1	1			C142500	D
D	REVISION	13.88	CAO	PP	1:1	±0.1	1			C142500	D
E	REVISION	13.88	CAO	PP	1:1	±0.1	1			C142500	D
F	REVISION	13.88	CAO	PP	1:1	±0.1	1			C142500	D
G	REVISION	13.88	CAO	PP	1:1	±0.1	1			C142500	D
H	REVISION	13.88	CAO	PP	1:1	±0.1	1			C142500	D
I	REVISION	13.88	CAO	PP	1:1	±0.1	1			C142500	D
J	REVISION	13.88	CAO	PP	1:1	±0.1	1			C142500	D
K	REVISION	13.88	CAO	PP	1:1	±0.1	1			C142500	D
L	REVISION	13.88	CAO	PP	1:1	±0.1	1			C142500	D
M	REVISION	13.88	CAO	PP	1:1	±0.1	1			C142500	D
N	REVISION	13.88	CAO	PP	1:1	±0.1	1			C142500	D
O	REVISION	13.88	CAO	PP	1:1	±0.1	1			C142500	D
P	REVISION	13.88	CAO	PP	1:1	±0.1	1			C142500	D
Q	REVISION	13.88	CAO	PP	1:1	±0.1	1			C142500	D
R	REVISION	13.88	CAO	PP	1:1	±0.1	1			C142500	D
S	REVISION	13.88	CAO	PP	1:1	±0.1	1			C142500	D
T	REVISION	13.88	CAO	PP	1:1	±0.1	1			C142500	D
U	REVISION	13.88	CAO	PP	1:1	±0.1	1			C142500	D
V	REVISION	13.88	CAO	PP	1:1	±0.1	1			C142500	D
W	REVISION	13.88	CAO	PP	1:1	±0.1	1			C142500	D
X	REVISION	13.88	CAO	PP	1:1	±0.1	1			C142500	D
Y	REVISION	13.88	CAO	PP	1:1	±0.1	1			C142500	D
Z	REVISION	13.88	CAO	PP	1:1	±0.1	1			C142500	D