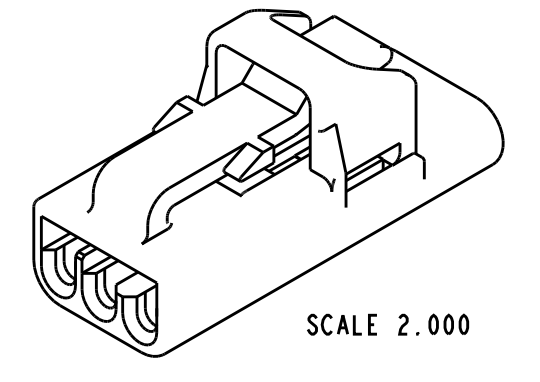
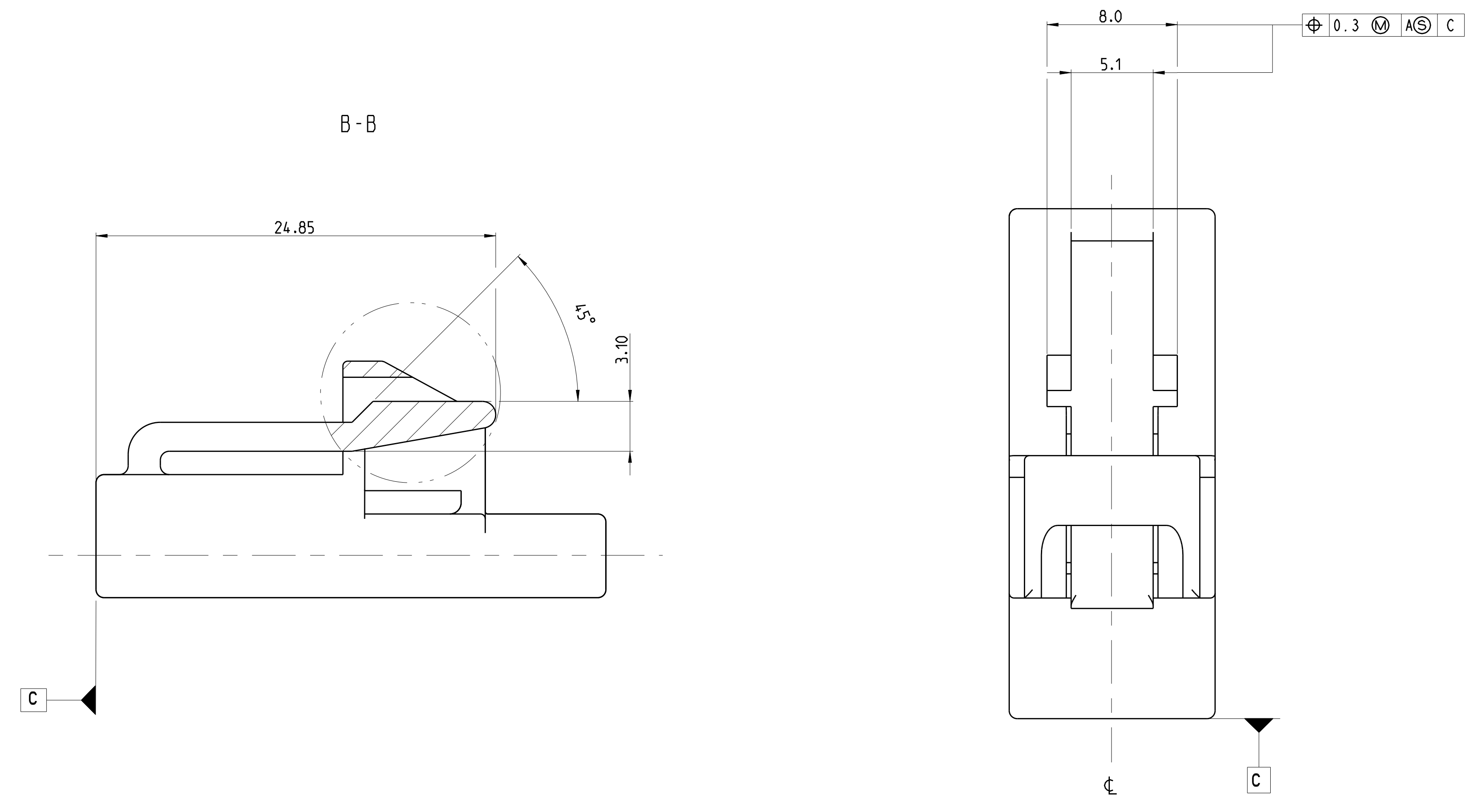
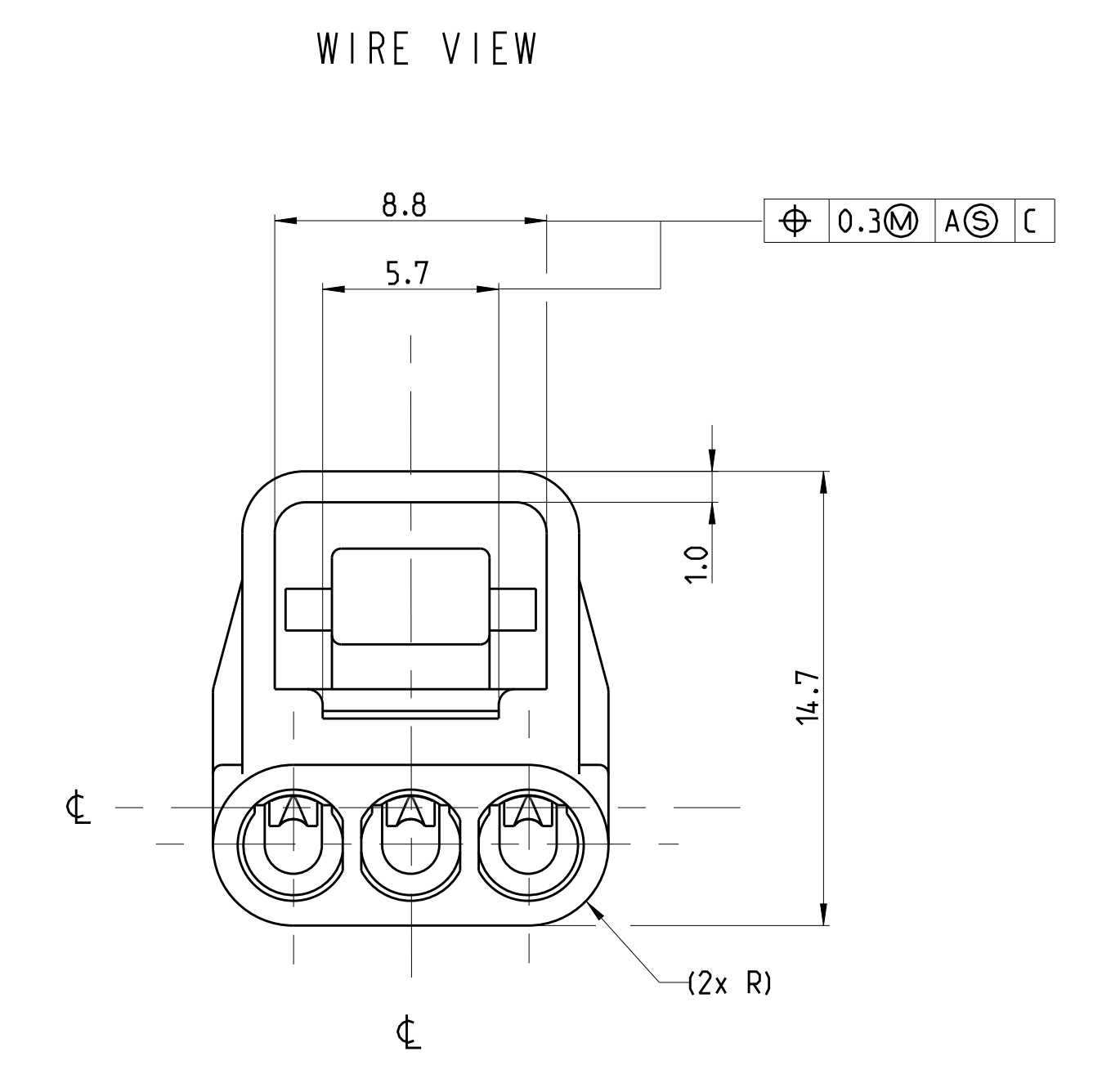
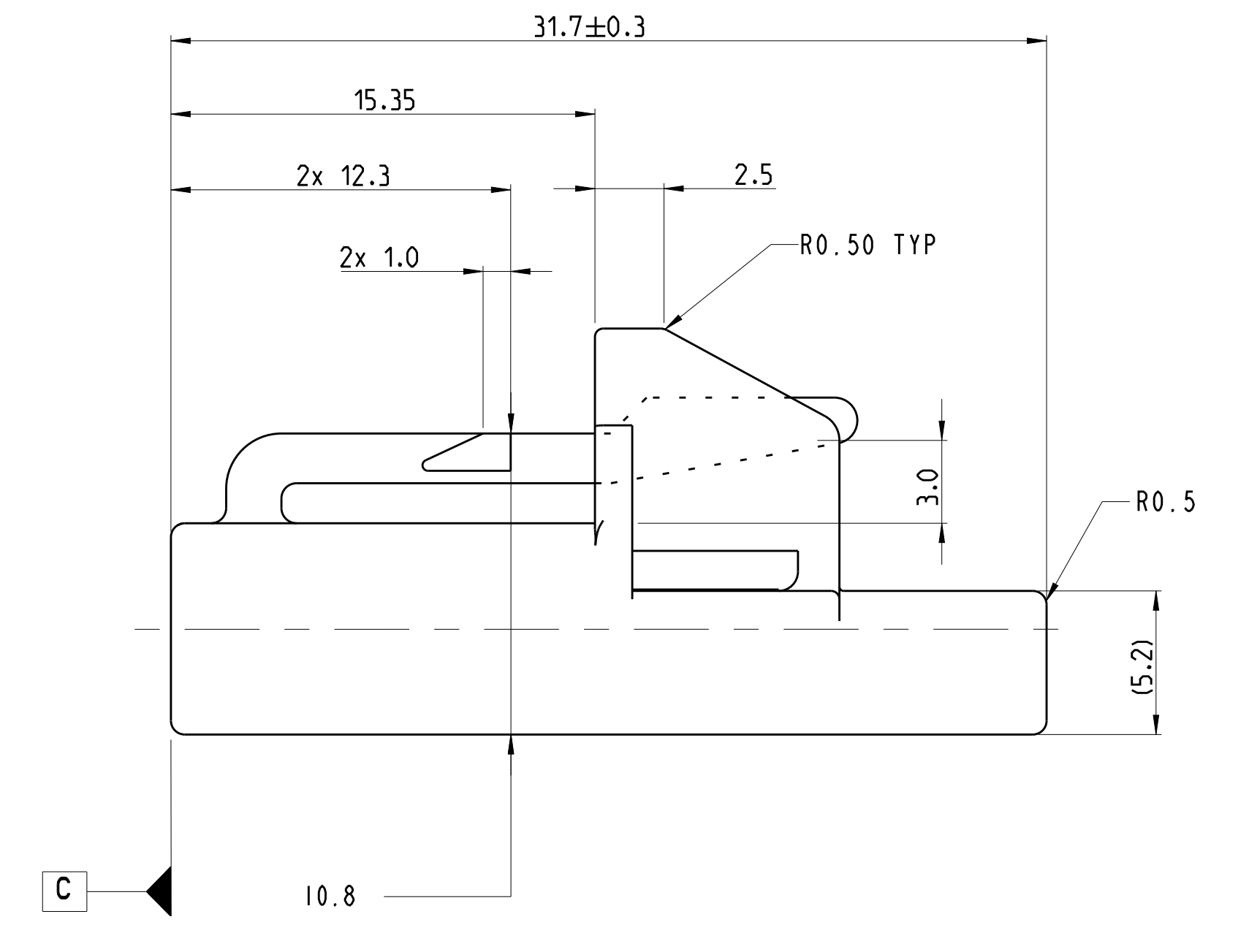
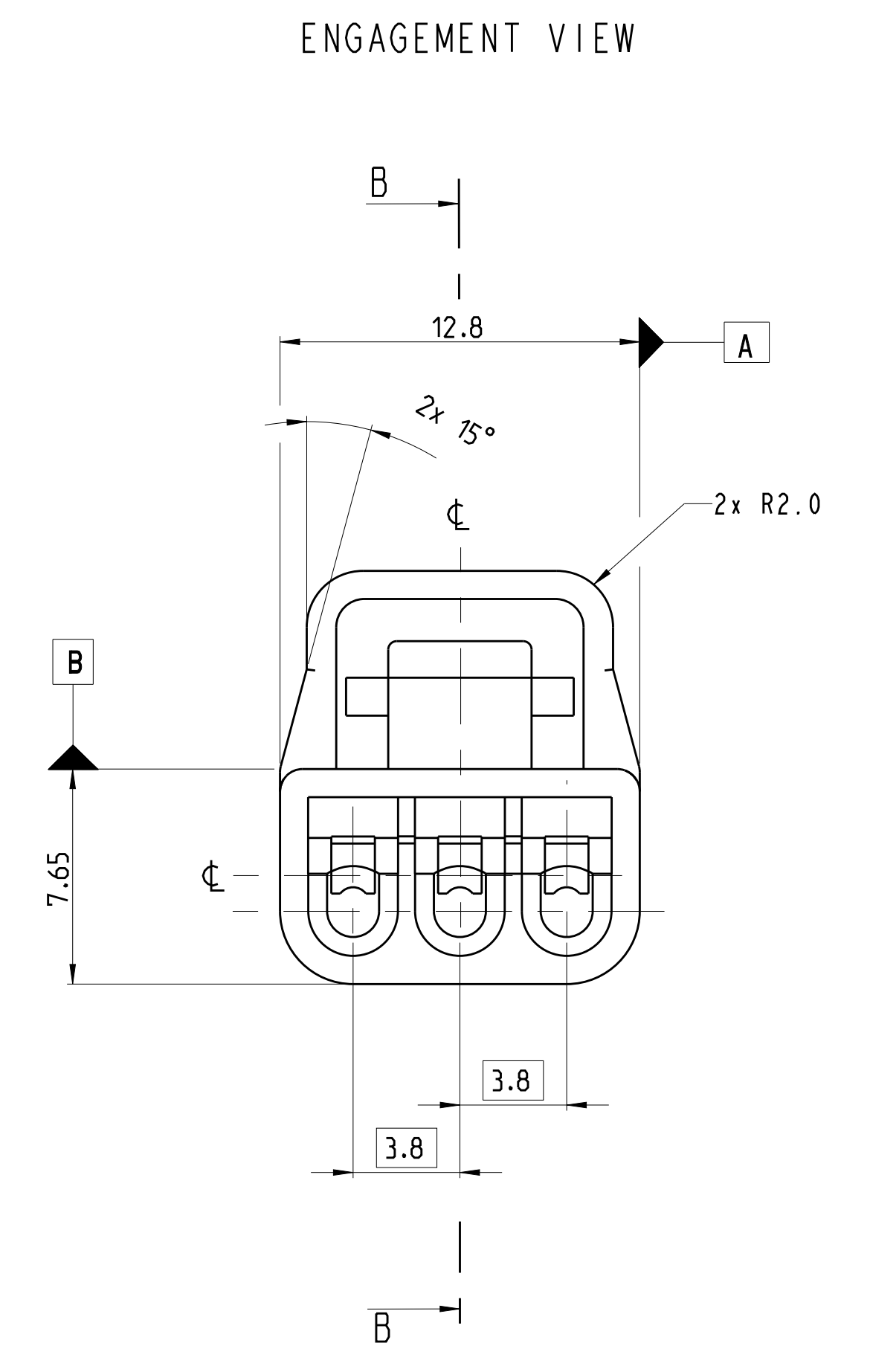


| REVISIONS | | | | |
|-----------|-----|---------------|-----------|-------|
| P | REV | DESCRIPTION | DATE | APPD |
| A | | NEW DRAWING | 12SEP2016 | KK SS |
| A1 | | ECR-20-010822 | 10MAY2020 | KG KK |



FULL SIZE VIEW



NOTES: UNLESS OTHERWISE SPECIFIED
 0°30' MAXIMUM DRAFT ANGLE PER SIDE
 0.3 MAXIMUM RADIUS ON EDGES AND FILLETS SHOWN AS SHARP
 X.XX DENOTES BASIC DIMENSIONS. BASIC DIMENSIONS HAVE ZERO TOLERANCE AND DESCRIBE THE EXACT THEORETICAL LOCATION. (TRUE POSITION), OR CONTOUR
 1437710-6 MUST MATE WITH 1437712-2 / 1437712-3 / 1418241-1 / 1418242-1 / 1418241-2 / 1-1437712-6
 MATERIAL:
 COLOUR YELLOW RAL 4051 ---> PBT-GF33
 COLOUR BLACK RAL 9011 ---> PBT-GF33

| PART AS SUPPLIED | | | COMPONENTS | | | COLOURS | | MATERIALS | | COMPONENTS SUPPLIED SEPARATELY | | MATING PARTS | |
|--|--------------|---------|------------|------------|----------|-----------|---------------|--|------------------------------------|--|----------------|--------------|--|
| P/N | DESCRIPTION | WEIGHT | 1 HOUSING | 3 TERMINAL | 4 SPACER | 1 HOUSING | 1 HOUSING | 3 TERMINAL FEMALE | 4 SPACER FEM | P/N | DESCRIPTION | | |
| AUGAT PN 106035 TE PN 1437710-6 FORD PN 938G-14489-RCA | HOUSING MALE | 2.62 gr | 1 | / | / | YELLOW | PBT 33% GF | SOCKET CONTACTS, FEMALE SUPPLIER: Molex PN 33115-0032 | AUGAT PN 106036 TE PN 1437708-3 | AUGAT PN 106033 TE PN 1437712-2 AUGAT PN 106038 TE PN 1437712-3 | HOUSING FEMALE | | |
| AUGAT 106161 TE PN 1418244-1 NON FORD | HOUSING MALE | 2.62 gr | 1 | / | / | BLACK | PBT 33% GF | TE PN 1572290-1 | AUGAT PN 106162 TE PN 1437708-5 | AUGAT PN 106158 TE PN 1418241-1 AUGAT PN 106159 TE PN 1418242-1 | | | |
| AUGAT PN 106191 TE PN 4-1437714-5 NON FORD | HOUSING MALE | 2.62 gr | 1 | / | / | | | | | | | | AUGAT PN 106220 TE PN 1418241-2 AUGAT PN 106221 TE PN 1-1437712-6 |
| AUGAT 106192 TE PN 2-1437716-4 NON FORD | HOUSING MALE | 2.62 gr | 1 | / | / | | PBT 33% GF | | | | | | |

A1 OBSOLETE

| ITEM | DESCRIPTION | AUGAT NO. | FORD NO. | WEIGHT (g) | COLOR | ITEM NO. | | |
|------|-------------|-------------|-------------------------------|------------|----------------|----------|---------------|---|
| A1 | OBsolete | 2-1437716-4 | AIRBAG 3-WAY CONNECTOR FEMALE | 106192 | NON FORD | 2.62 | BLACK SCHWARZ | 1 |
| | | 4-1437714-5 | AIRBAG 3-WAY CONNECTOR FEMALE | 106191 | NON FORD | 2.62 | BLACK SCHWARZ | 1 |
| | | 1418244-1 | AIRBAG 3-WAY CONNECTOR FEMALE | 106161 | NON FORD | 2.62 | YELLOW GELB | 1 |
| | | 1437710-6 | AIRBAG 3-WAY CONNECTOR MALE | 106035 | 938G-14489-RCA | 2.62 | YELLOW GELB | 1 |

THIS DRAWING IS A CONTROLLED DOCUMENT. DATE: 12SEP2016
 DIMENSIONS: 0 PLC, 1 PLC, 2 PLC, 3 PLC, 4 PLC, 5 PLC, 6 PLC, 7 PLC, 8 PLC, 9 PLC, 10 PLC, 11 PLC, 12 PLC, 13 PLC, 14 PLC, 15 PLC, 16 PLC, 17 PLC, 18 PLC, 19 PLC, 20 PLC, 21 PLC, 22 PLC, 23 PLC, 24 PLC, 25 PLC, 26 PLC, 27 PLC, 28 PLC, 29 PLC, 30 PLC, 31 PLC, 32 PLC, 33 PLC, 34 PLC, 35 PLC, 36 PLC, 37 PLC, 38 PLC, 39 PLC, 40 PLC, 41 PLC, 42 PLC, 43 PLC, 44 PLC, 45 PLC, 46 PLC, 47 PLC, 48 PLC, 49 PLC, 50 PLC, 51 PLC, 52 PLC, 53 PLC, 54 PLC, 55 PLC, 56 PLC, 57 PLC, 58 PLC, 59 PLC, 60 PLC, 61 PLC, 62 PLC, 63 PLC, 64 PLC, 65 PLC, 66 PLC, 67 PLC, 68 PLC, 69 PLC, 70 PLC, 71 PLC, 72 PLC, 73 PLC, 74 PLC, 75 PLC, 76 PLC, 77 PLC, 78 PLC, 79 PLC, 80 PLC, 81 PLC, 82 PLC, 83 PLC, 84 PLC, 85 PLC, 86 PLC, 87 PLC, 88 PLC, 89 PLC, 90 PLC, 91 PLC, 92 PLC, 93 PLC, 94 PLC, 95 PLC, 96 PLC, 97 PLC, 98 PLC, 99 PLC, 100 PLC.

SEE NOTES

CUSTOMER DRAWING

SCALE 5:1 SHEET 1 OF 1 REV A1