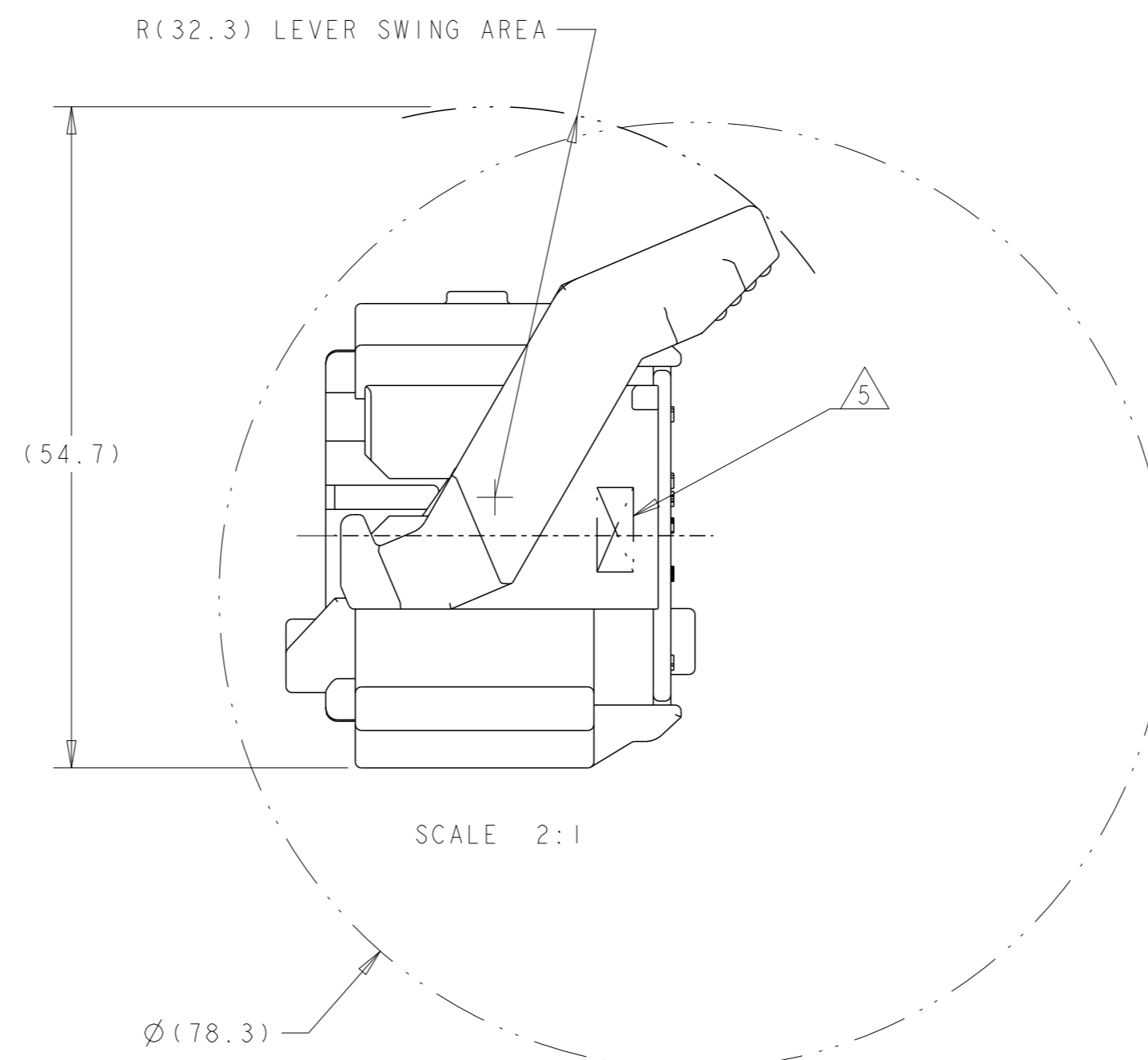
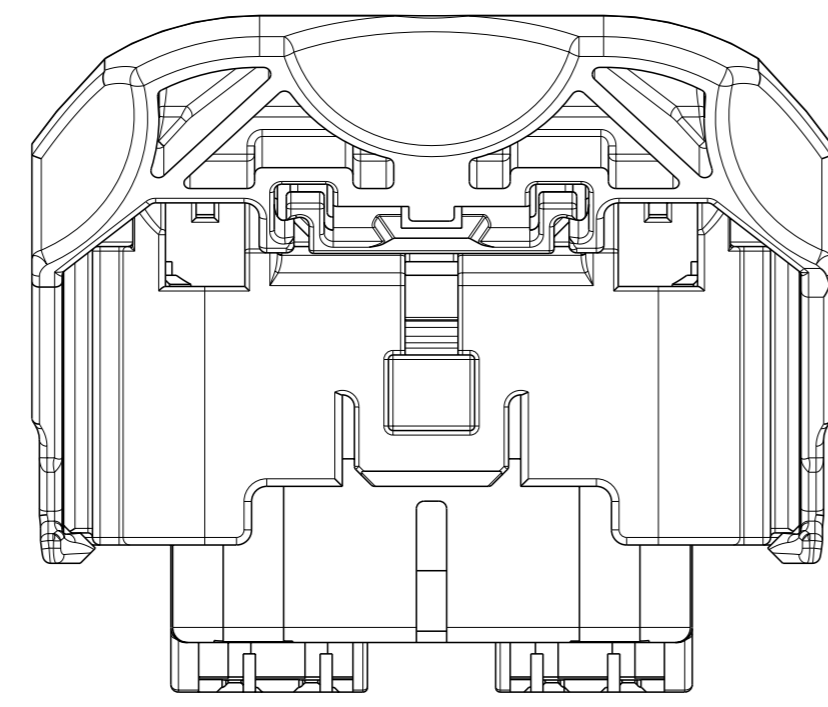
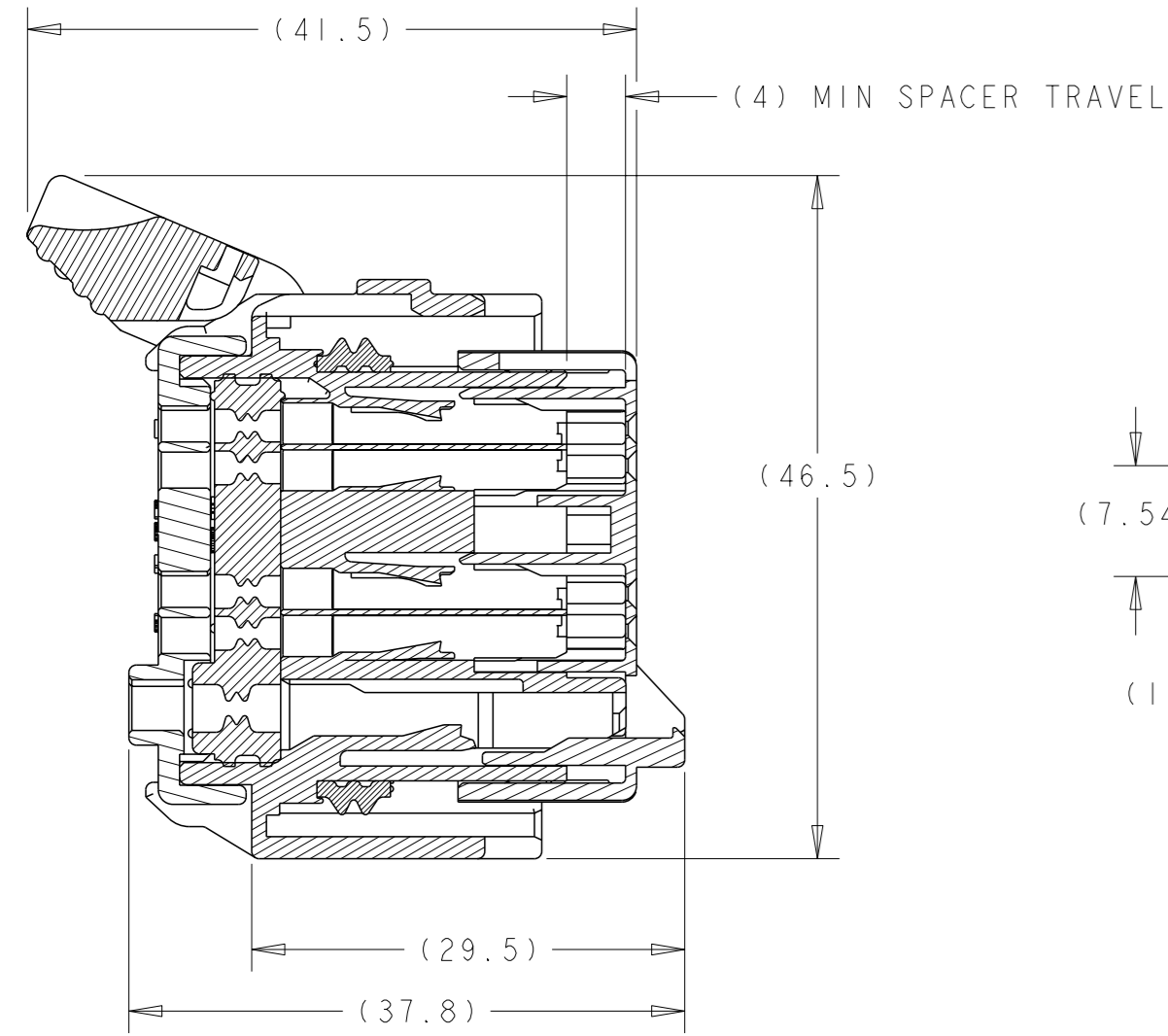


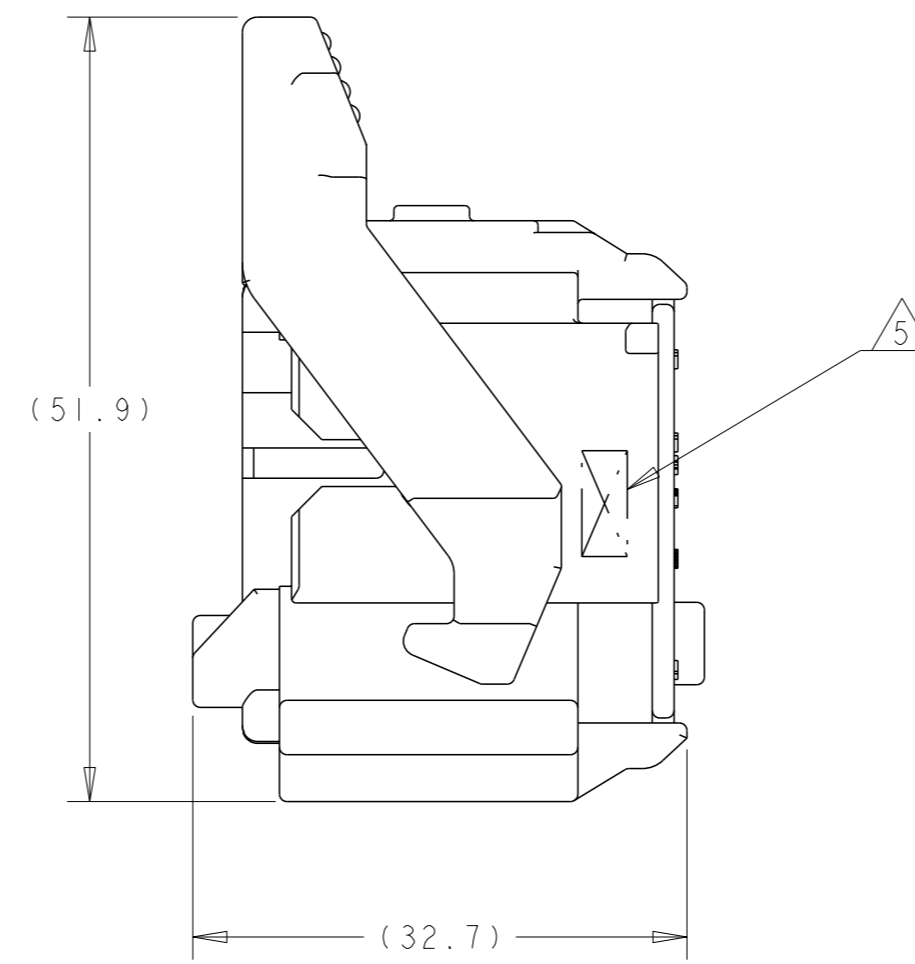
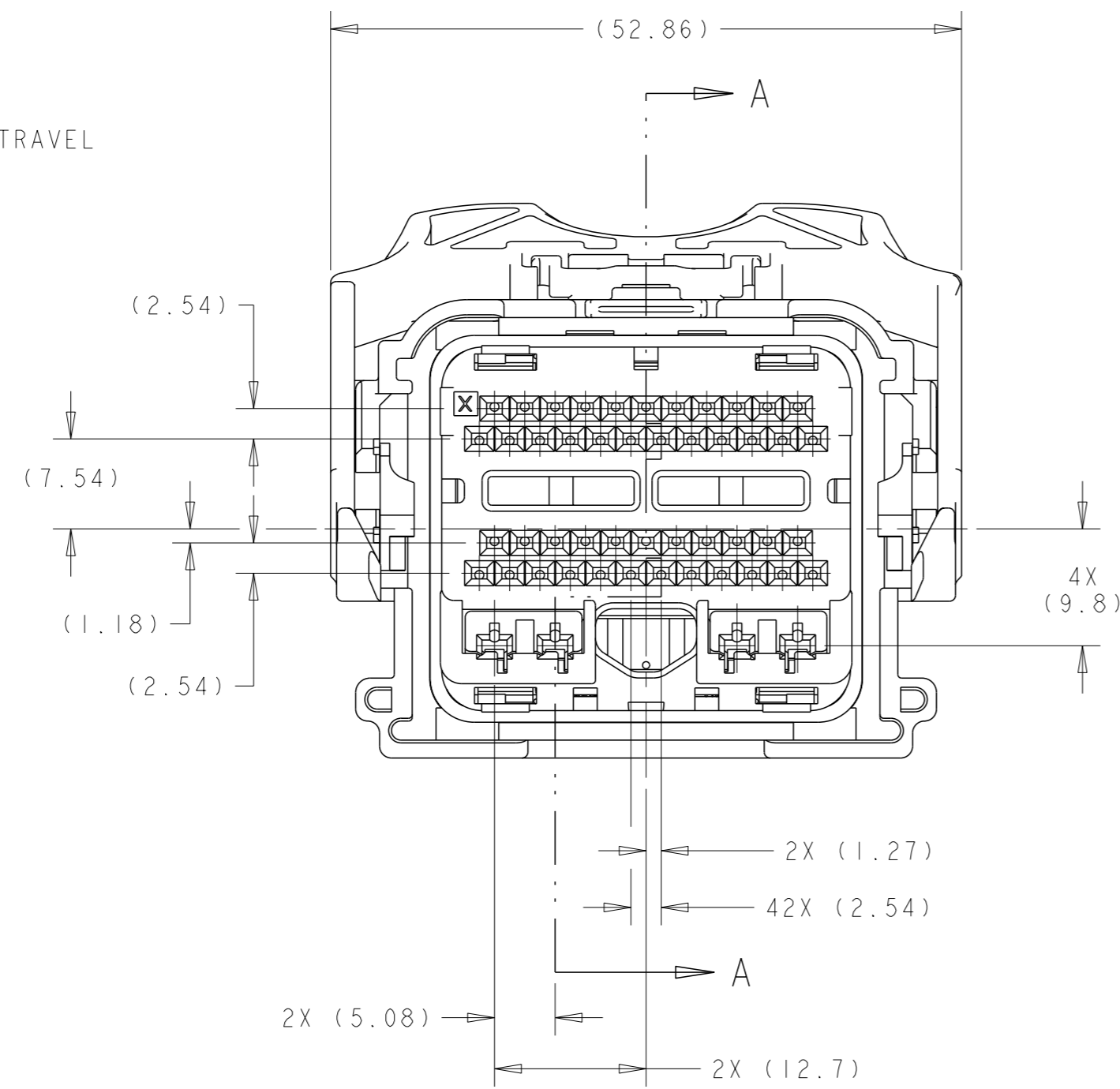
1438129-1
SHOWN WITH SPACER
IN SEATED POSITION



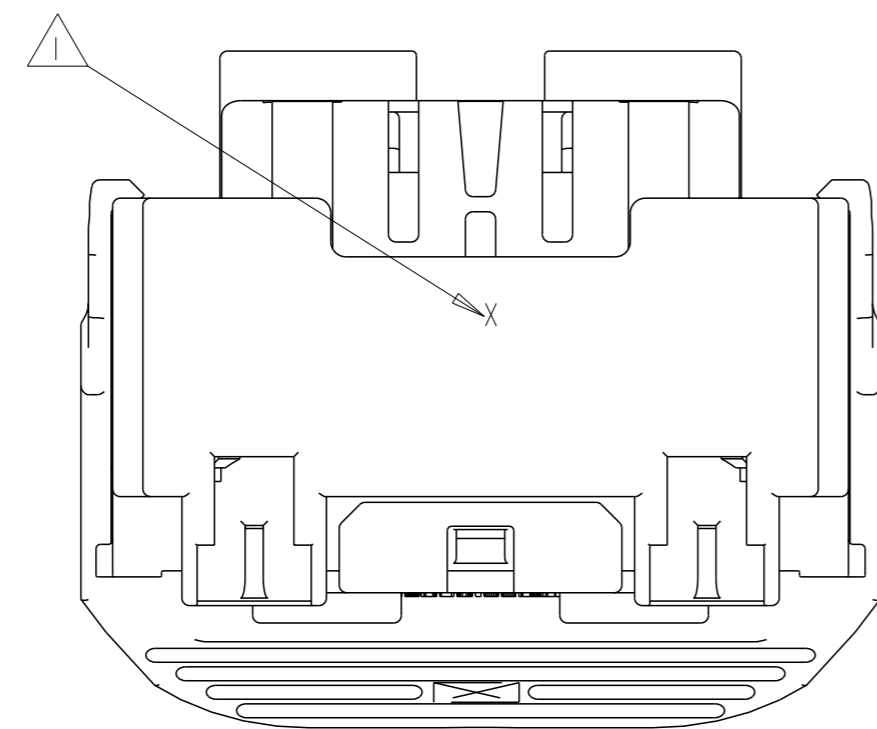
MIN. FEED THRU
CONDITION WITH 1mm
CLEARANCE ALL AROUND
SHOWN WITH SPACER IN SEATED POSITION



SECTION A-A
SPACER AND LEVER IN
PRE-SEATED POSITION
(DELIVERY CONDITION)

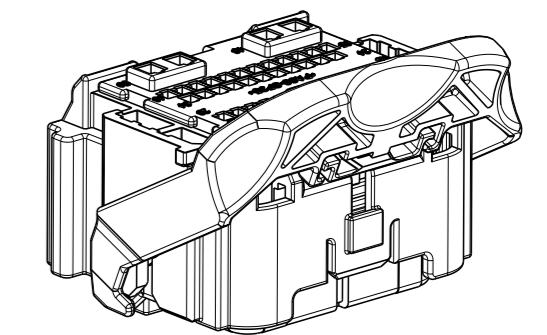


SHOWN WITH CAM
LEVER AND SPACER
IN LOADED POSITION



REVISIONS					
#	LY#	DESCRIPTION	DATE	OWN	APVD
F42		REVISED PER ECN-22-166479	27JUL2022	SMR	CM
F43		REVISED PER ECN-23-213561	22MAY2023	SR	HC
F44		REVISED PER ECN-23-230586	20SEP2023	SR	HC
F45		REVISED PER ECN-24-264155	04MAY2024	SR	HC

- 1. PRINT PART NUMBER (5S4T-14A464-L*-***, 5S4T-14A464-M*-***, 5S4T-14A464-N*-***) AND TRACEABILITY (YY : 2 DIGIT YEAR, JJJ = JULIAN DATE, HH = 2 DIGIT MILITARY HOUR CODE IN THE LOCATION AT ASSEMBLY. SEE SHEET 3 THRU 7 (-*)) PART NUMBERS.
- 2. APPLICABLE MOLEX (1.5) POWER TERMINAL PART NUMBERS:
33012-0002 TIN 0.50-1.50mm²
- 3. CAM LEVER AND SPACER ARE SHIPPED IN THEIR PRE-ASSEMBLED POSITIONS.
- 4. REFERENCE TO CONNECTIVITY INSTRUCTION SHEET 408-8893.
- 5. COMPANY LOGO.
- 6. OBSOLETE PART.



SCALE 1:1

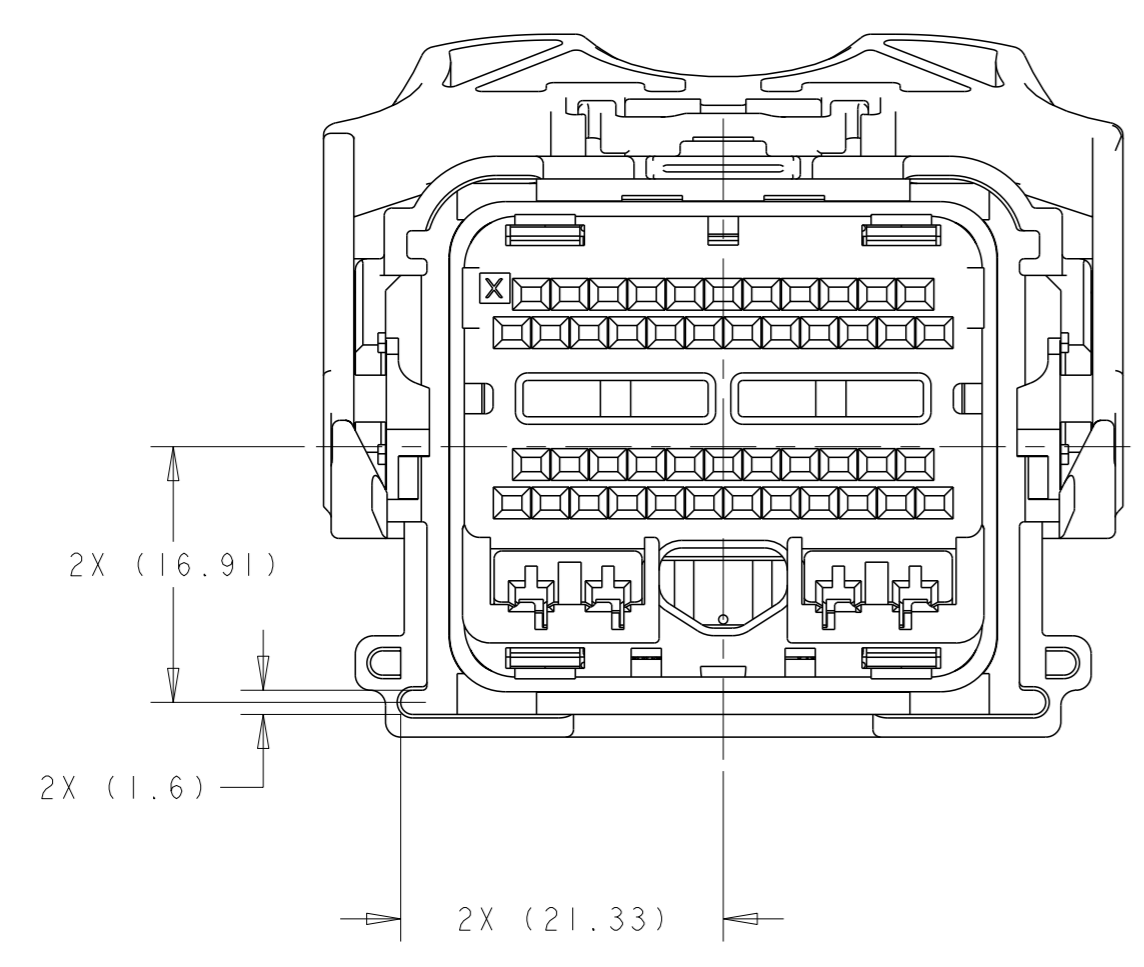
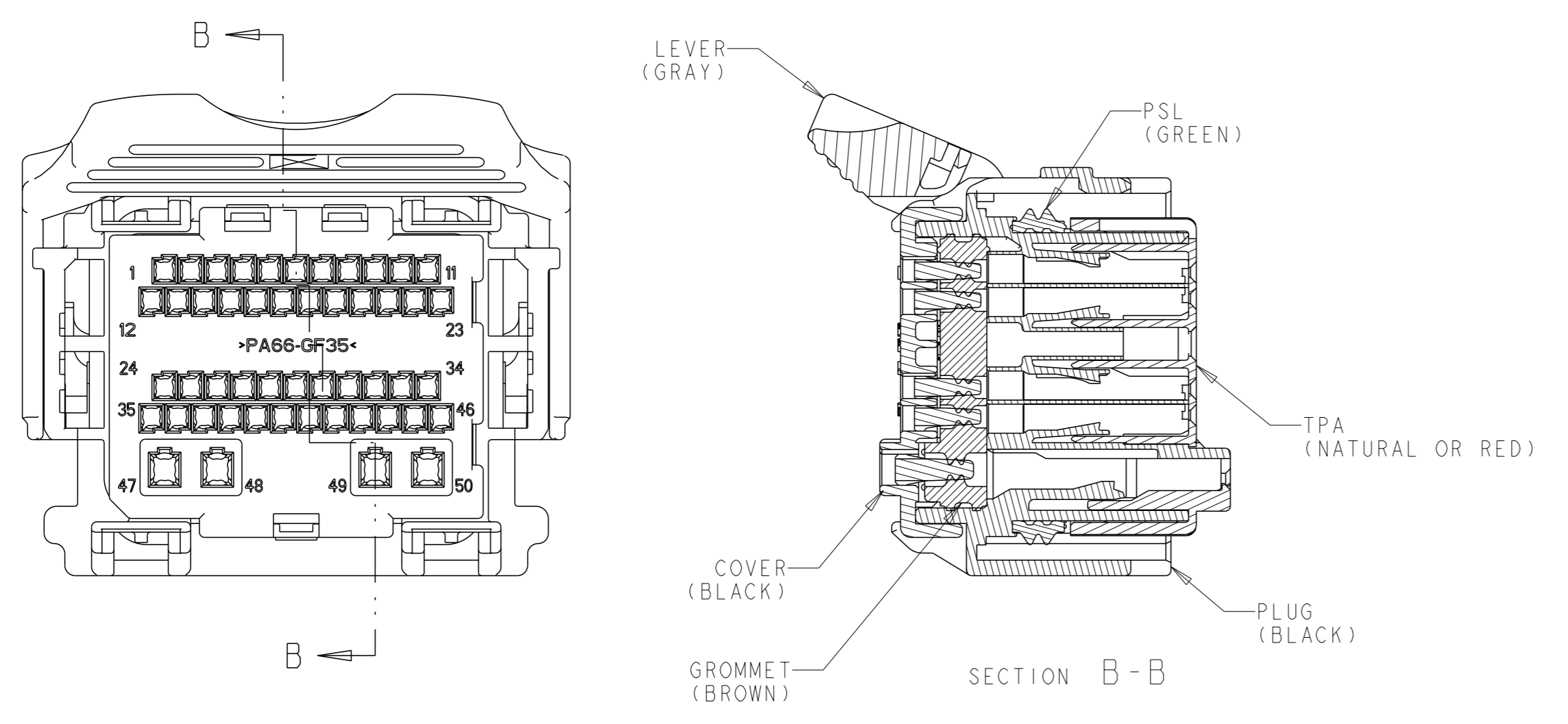
APPLICABLE COMPONENTS (FOR REFERENCE ONLY)						
DESCRIPTION	NOMINAL TERMINAL SIZE	COLOR/PLATING	FORD COMPONENT PART NUMBER	SUPPLIER PART NUMBER	MATERIAL/SPECIFICATION NUMBER	SAE WIRE SIZE
TERMINAL - FEMALE (Ag)	0.64 (CAT. 0)	SILVER	7S4T-14474-AA	I393366-2	COPPER ALLOY/SILVER PLATE	20AWG
						18AWG
TERMINAL - FEMALE (Ag)	0.64 (CAT. 0)	SILVER	7S4T-14474-BA	I393367-2	COPPER ALLOY/SILVER PLATE	22AWG
						20AWG
TERMINAL - FEMALE (Sn)	0.64 (CAT. 0)	TIN	1L2T-14474-AA	I393366-1	COPPER ALLOY/TIN PLATE	20AWG
						18AWG
TERMINAL - FEMALE (Sn)	0.64 (CAT. 0)	TIN	1L2T-14474-BA	I393367-1	COPPER ALLOY/TIN PLATE	22AWG
						20AWG
TERMINAL - FEMALE (Au)	0.64 (CAT. 0)	GOLD	1L2T-14474-CA	I393365-1	COPPER ALLOY/GOLD PLATE	20AWG
						18AWG
TERMINAL - FEMALE (Au)	0.64 (CAT. 0)	GOLD	1L2T-14474-DA	I393364-1	COPPER ALLOY/GOLD PLATE	22AWG

ANY DESIGN CHANGES ON THIS ASSEMBLY MAY
ALSO BE REQUIRED ON ASSEMBLY DRAWING 1438691

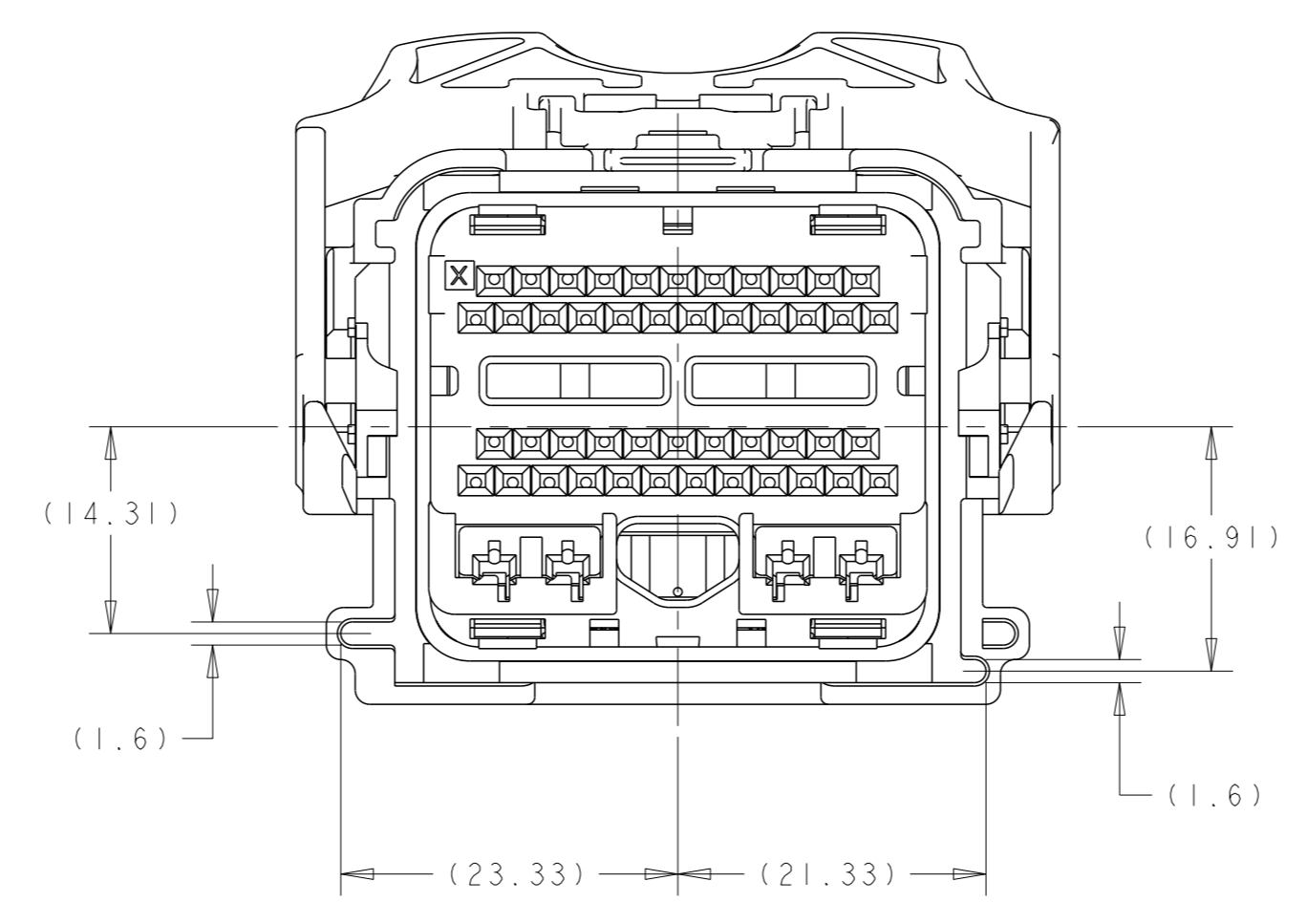
SEE TABLES
SHEETS 3 THRU 7
PART NUMBER

THIS DRAWING IS A CONTROLLED DOCUMENT.		OWN: R. VESTAL 15APR2005		NAME: 50-WAY HARNESS ASSEMBLY, PCM PRODUCT SPEC: - APPLICATION SPEC: - SIZE: - CAGE CODE: - DRAWING NO: A100779C=1438129 WEIGHT: - CUSTOMER DRAWING: -
DIMENSIONS: mm		TOLERANCES UNLESS OTHERWISE SPECIFIED: 0 PLC ± 1 PLC ±0.3 2 PLC ±0.10 3 PLC ± 4 PLC ± ANGLES FINISH ±1°		
SCALE: 1:1		SHEET 1 OF 10		REV: F45

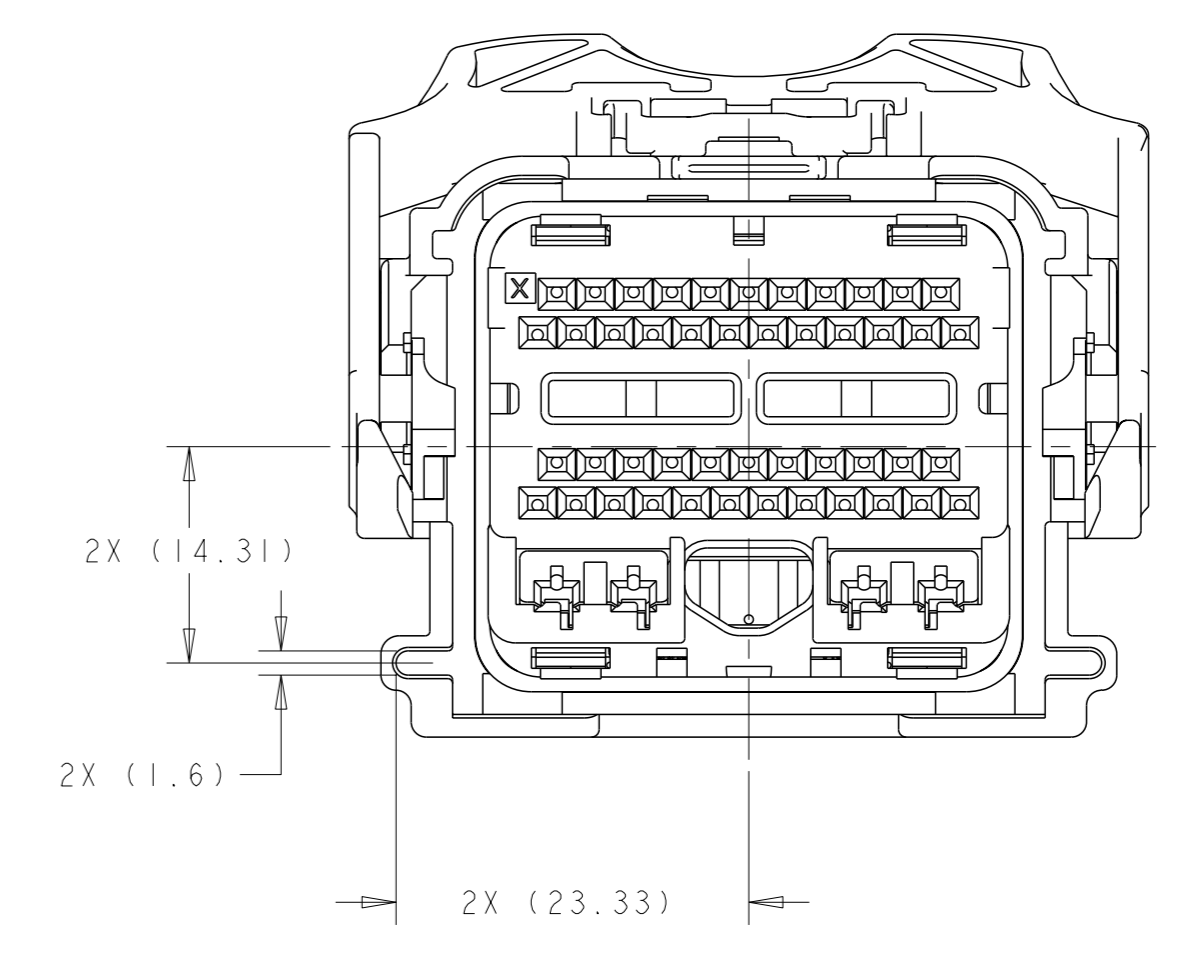
REVISIONS				
P	LYR	DESCRIPTION	DATE	OWN
-	-	SEE SHEET 1	-	-



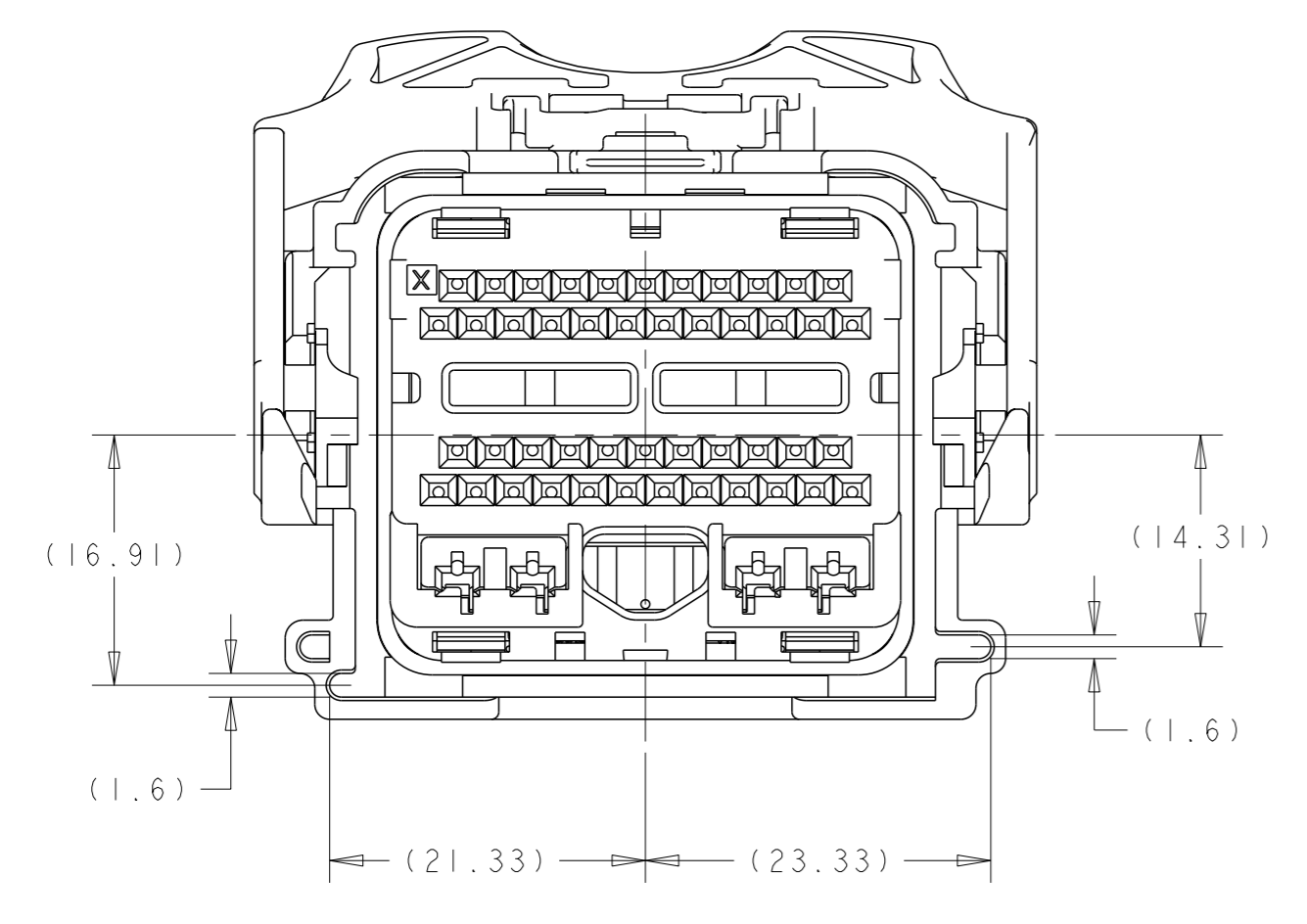
1438129-1
KEYING OPTION "A"



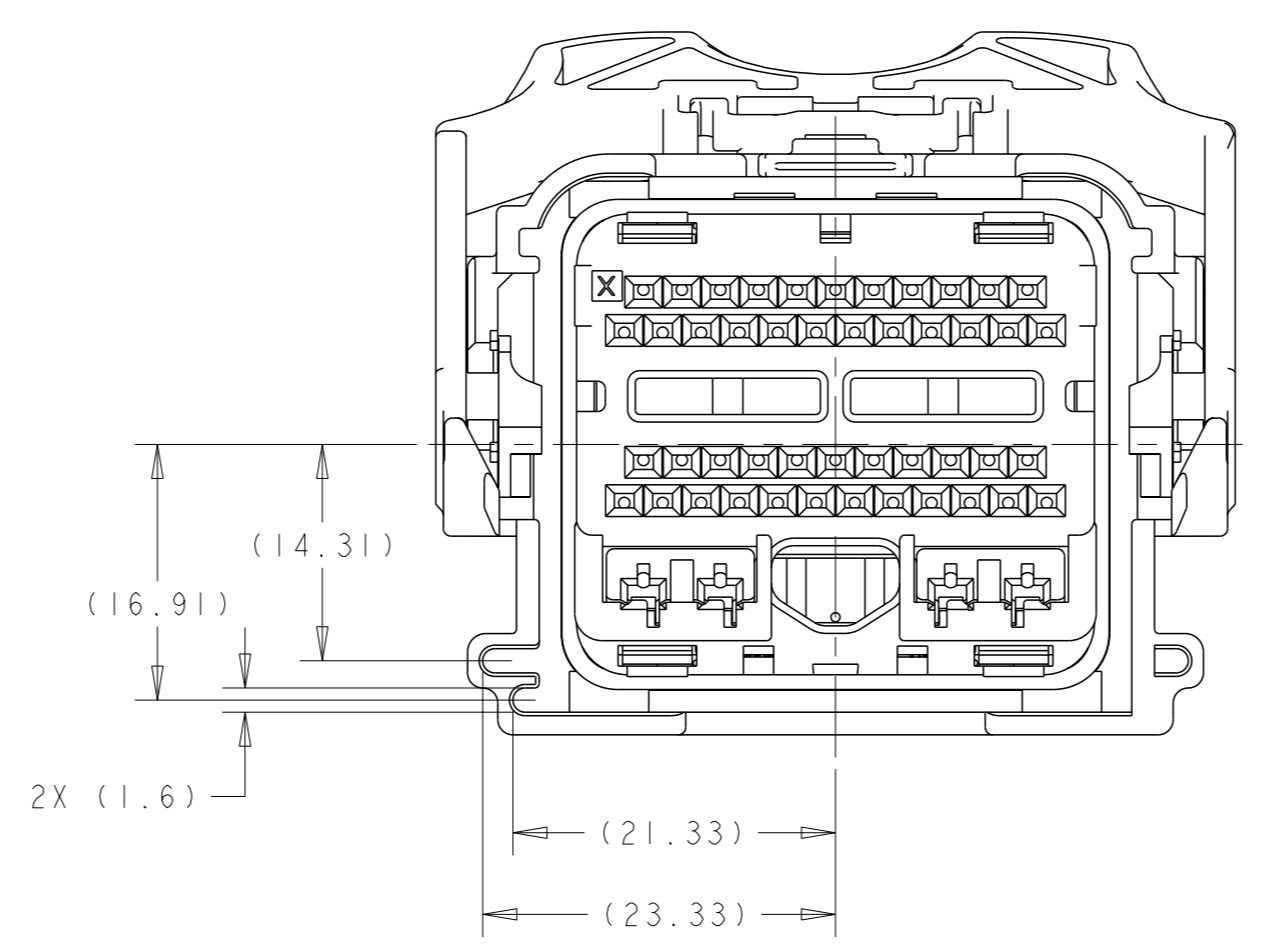
1438129-2
KEYING OPTION "B"



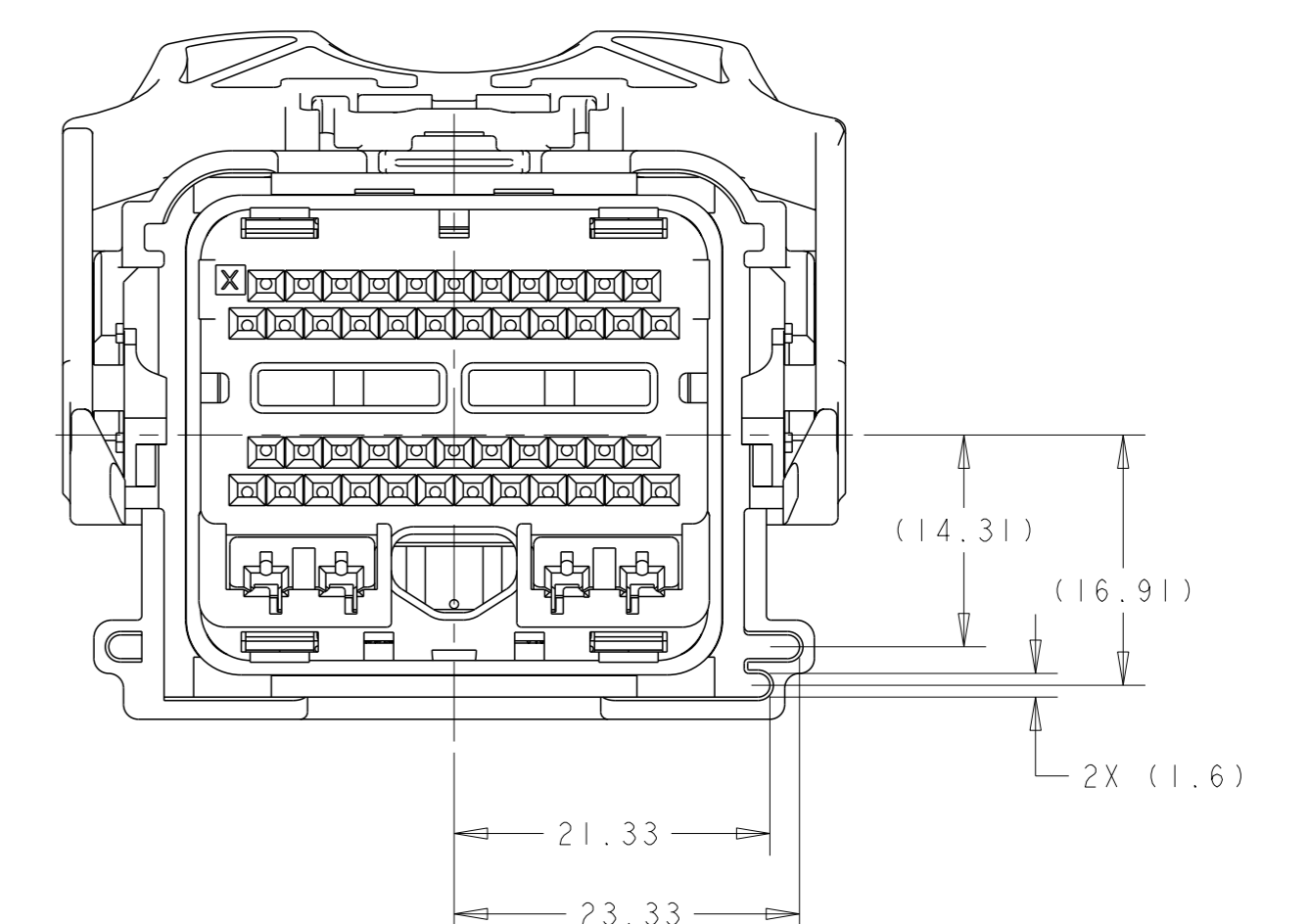
1438129-3
KEYING OPTION "C"



1438129-4
KEYING OPTION "D"



1438129-5
KEYING OPTION "E"



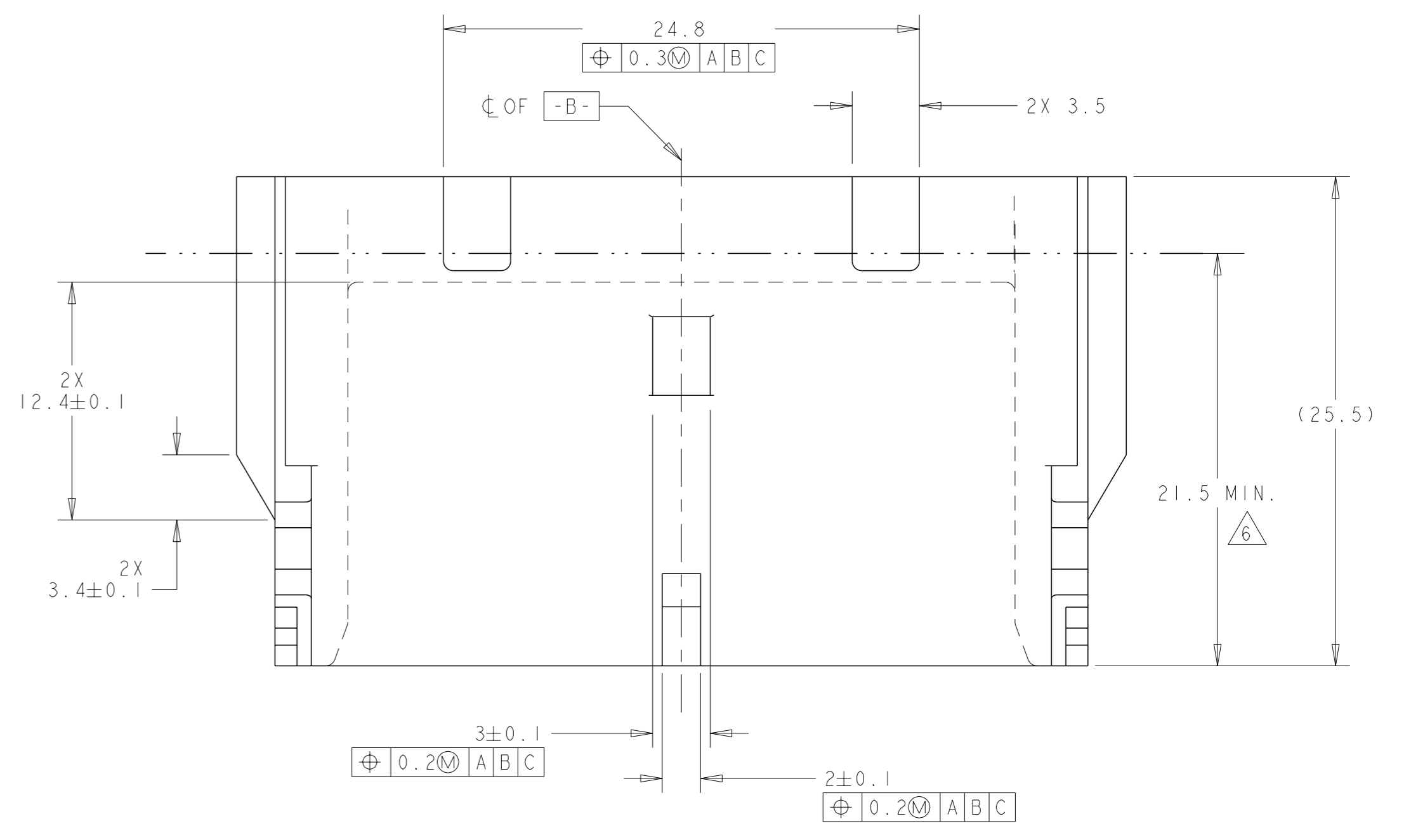
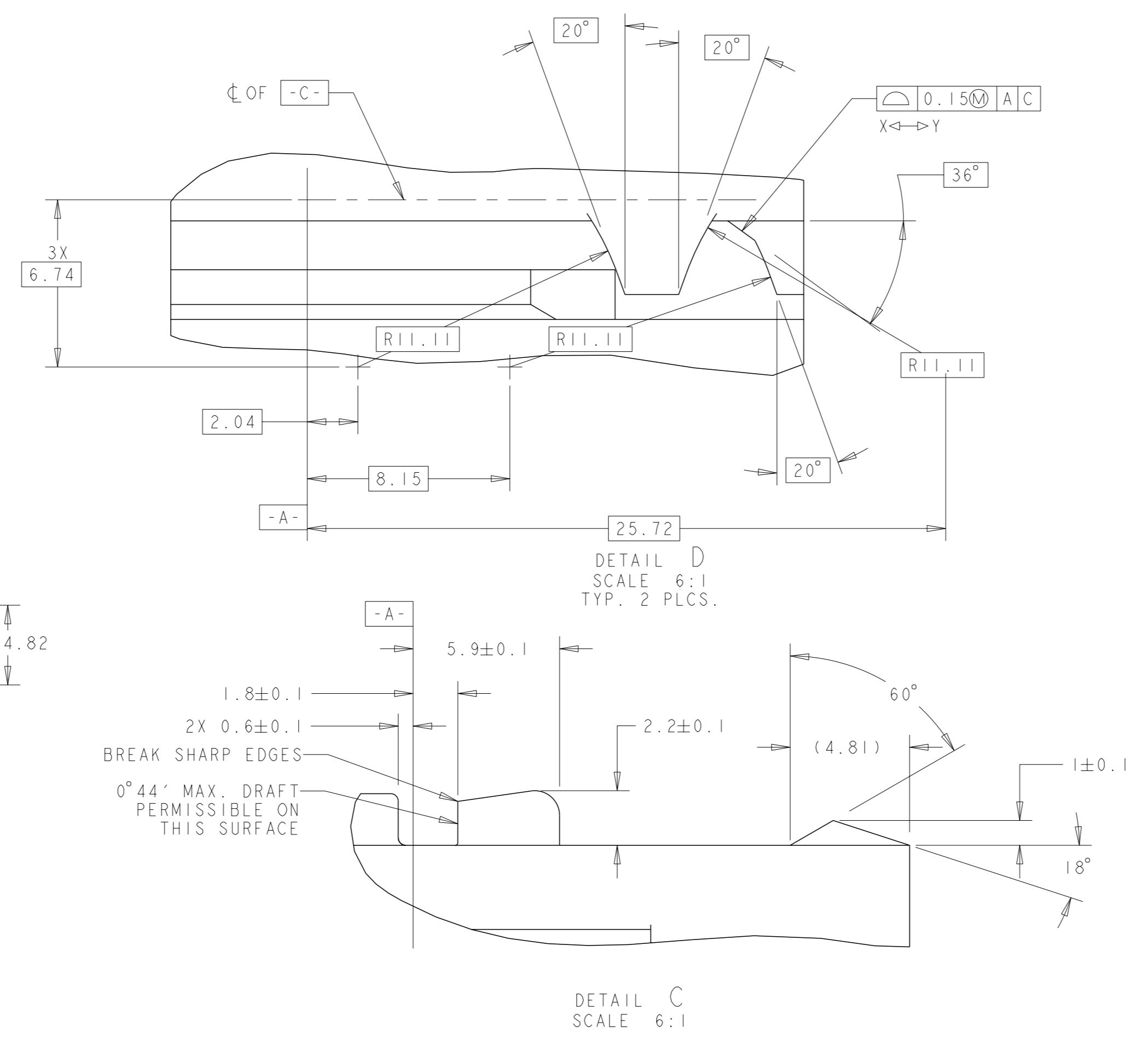
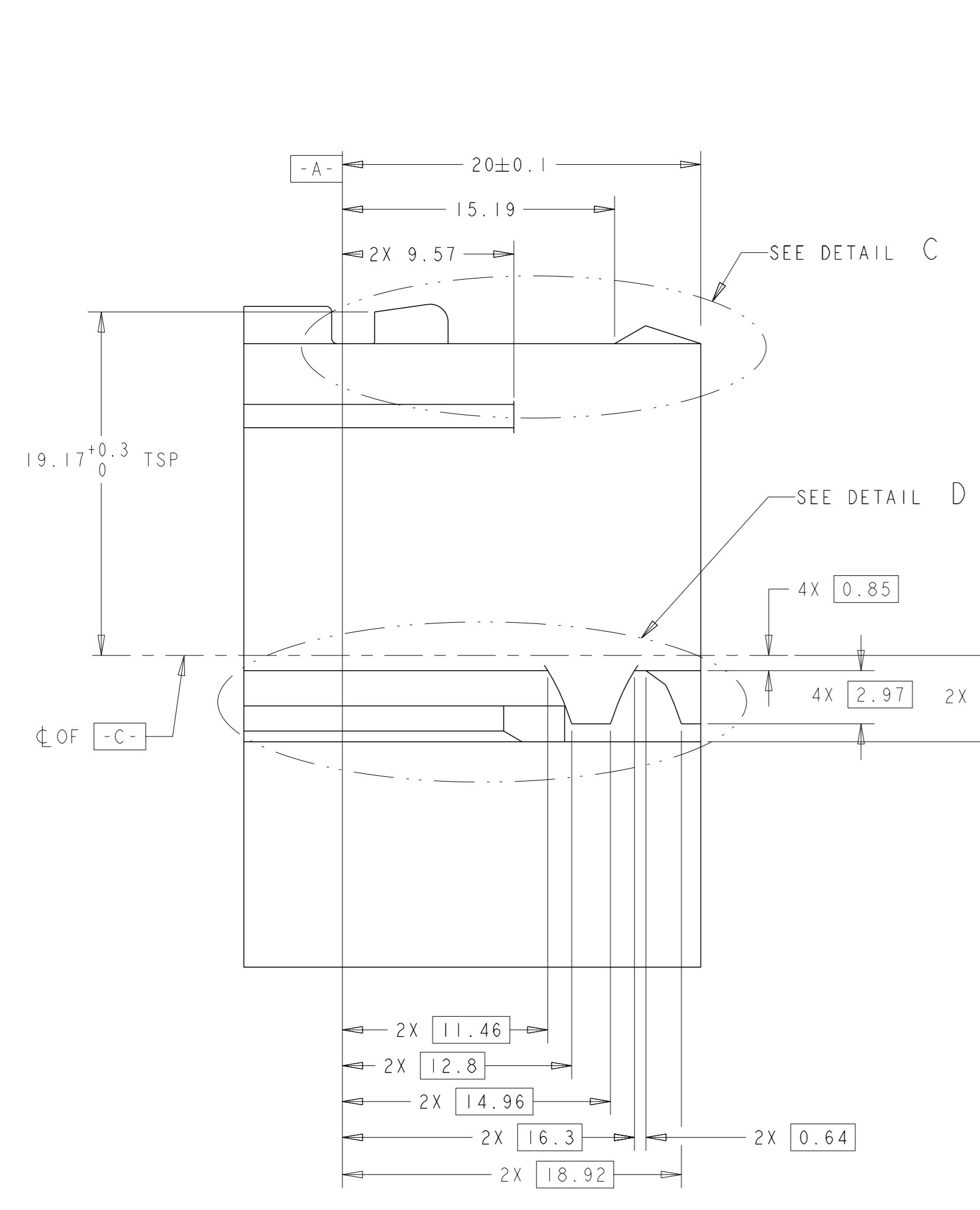
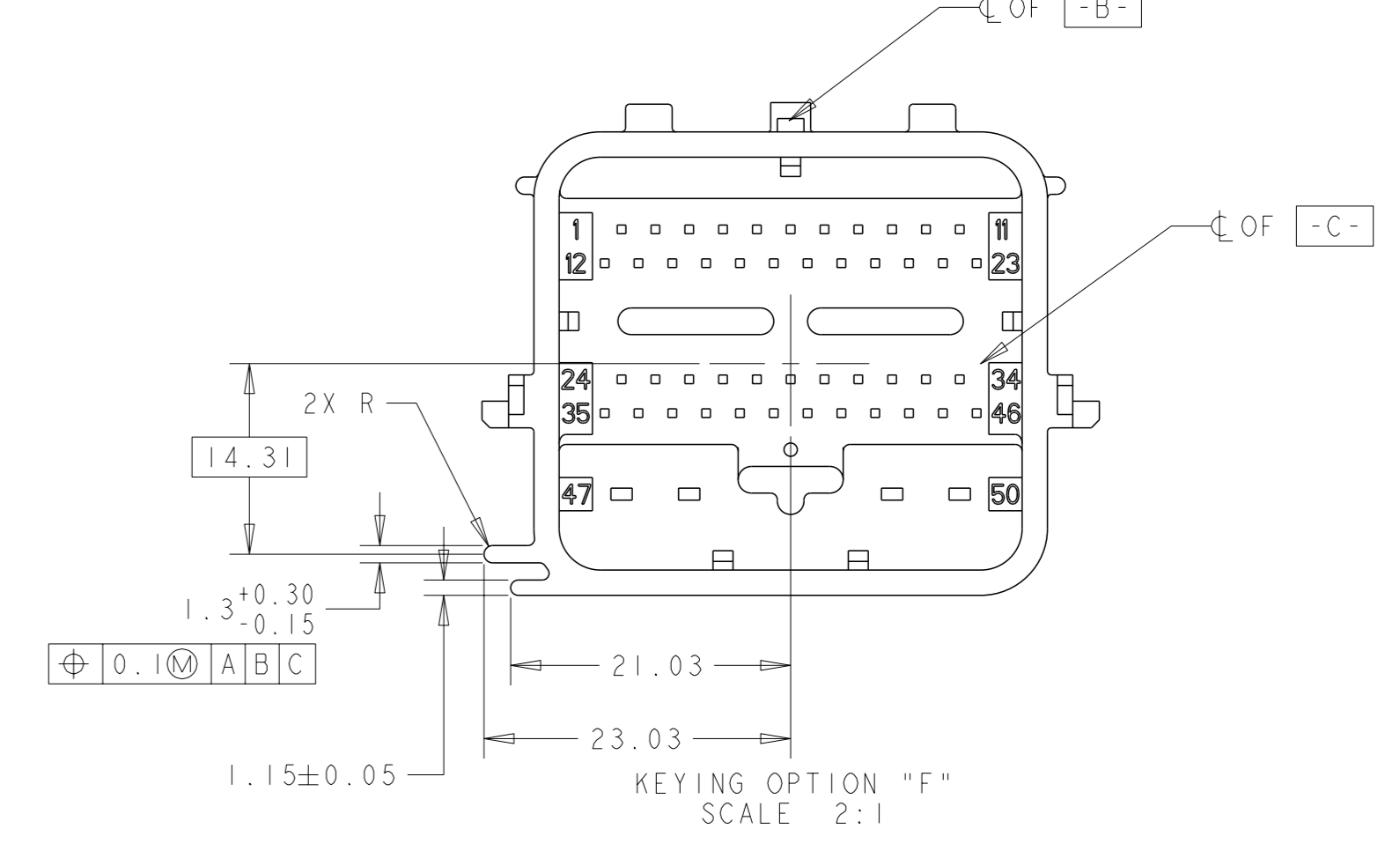
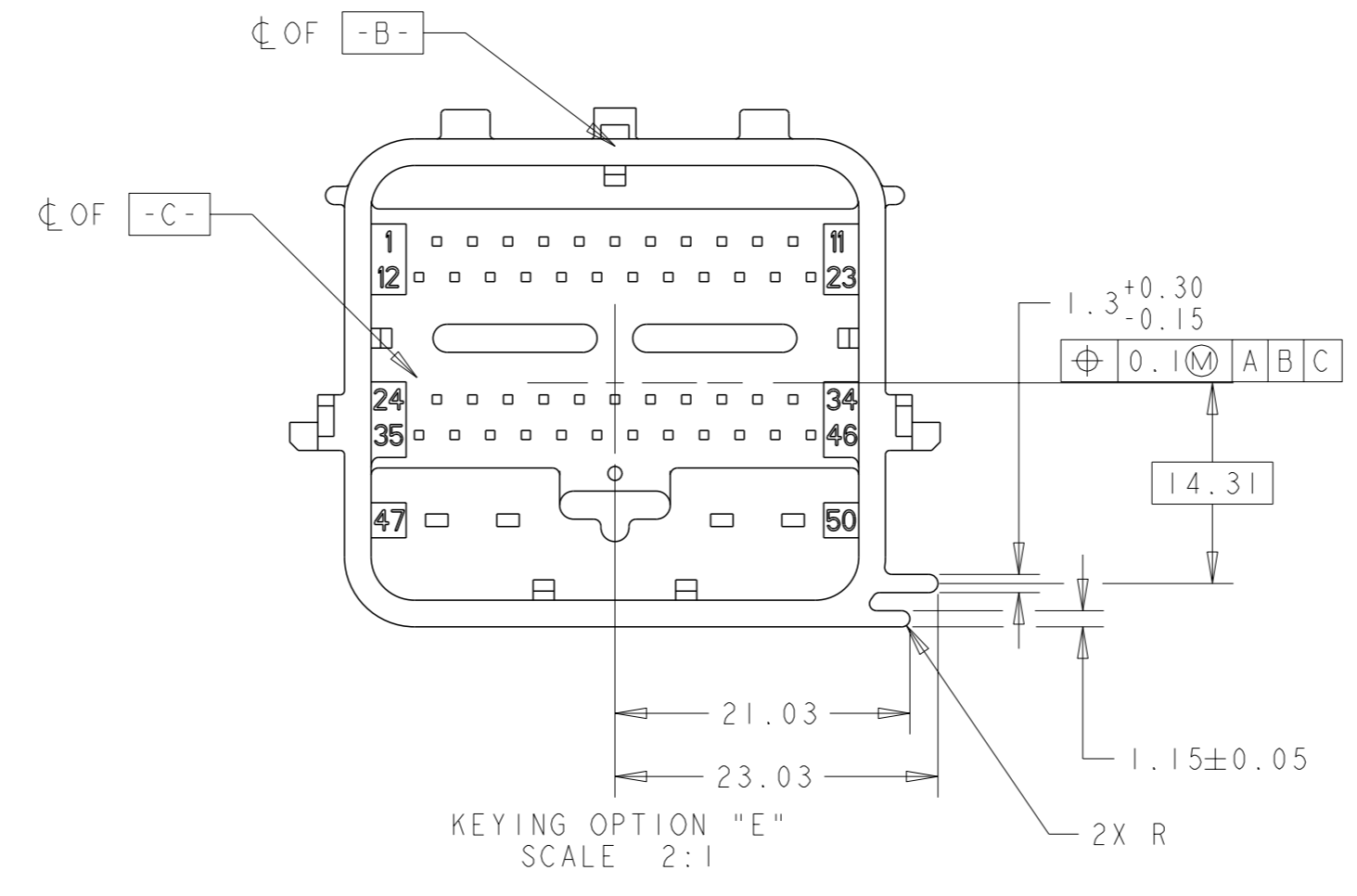
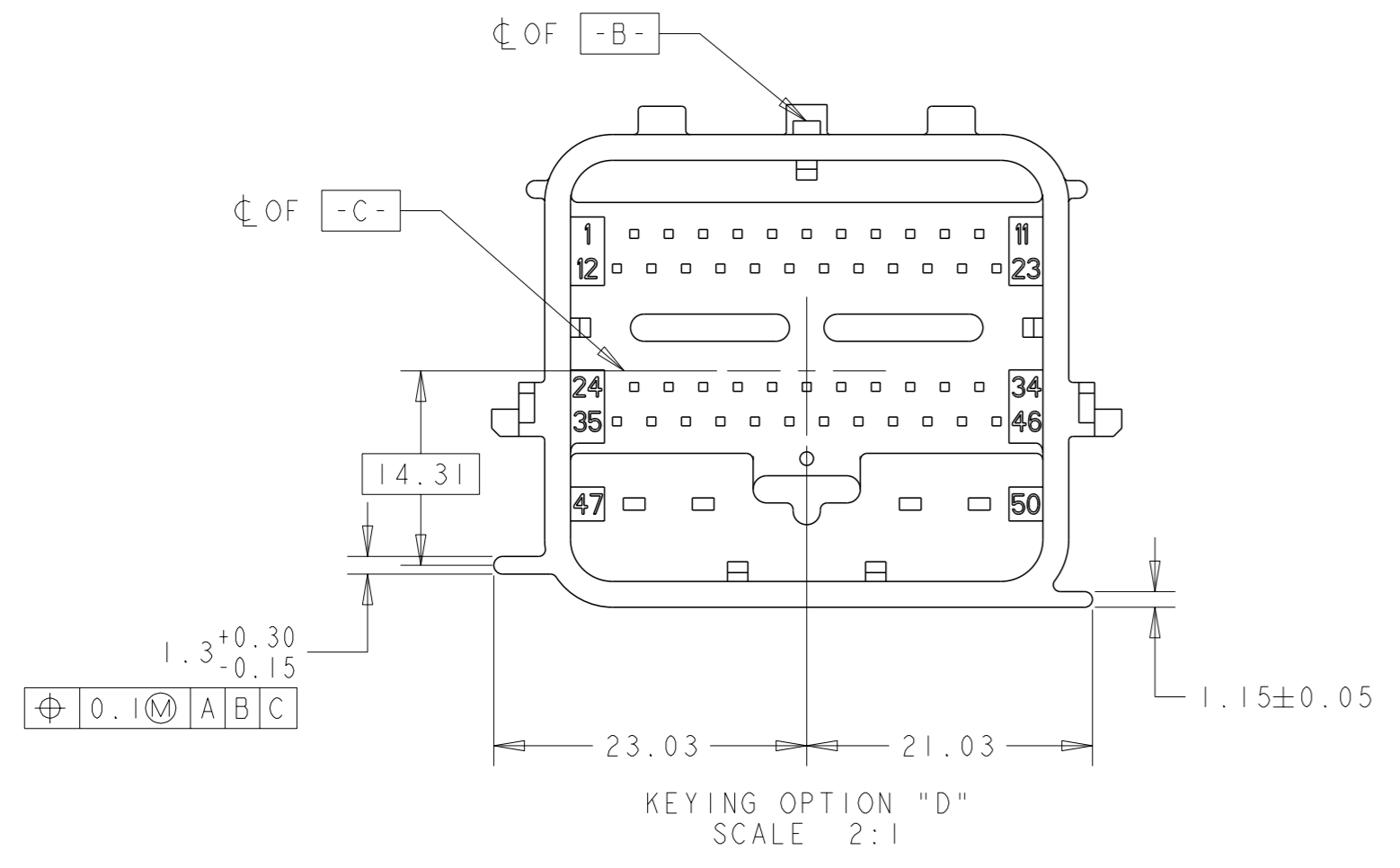
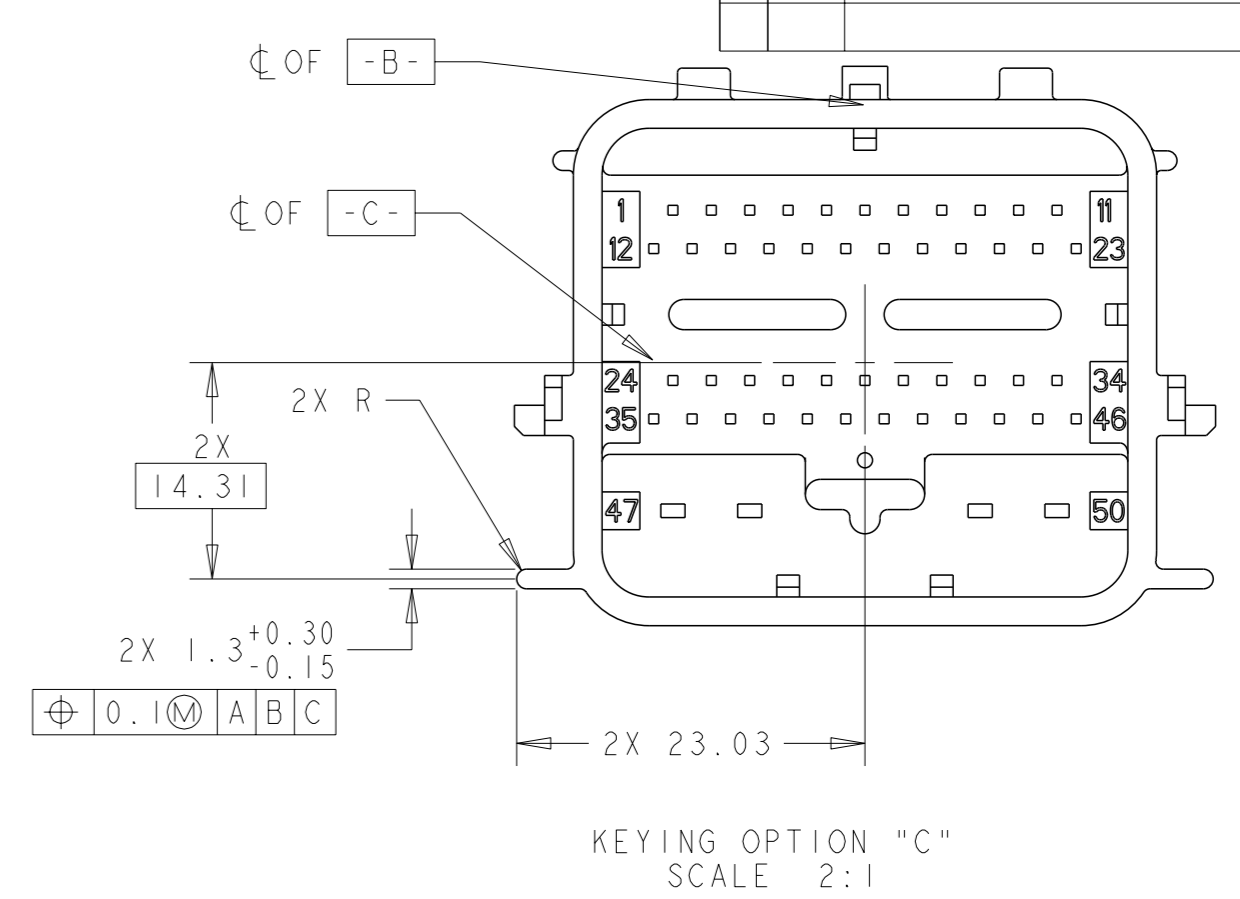
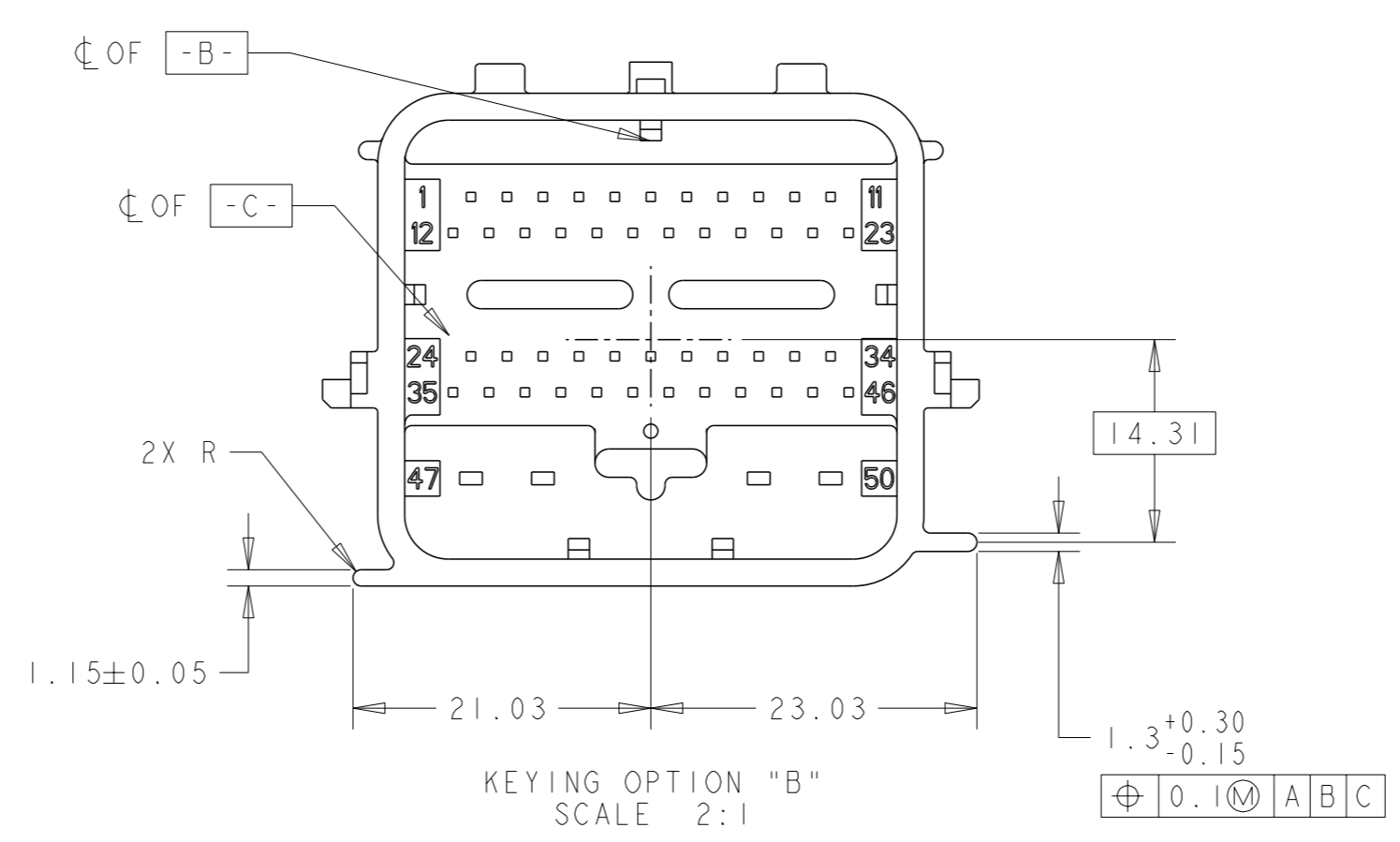
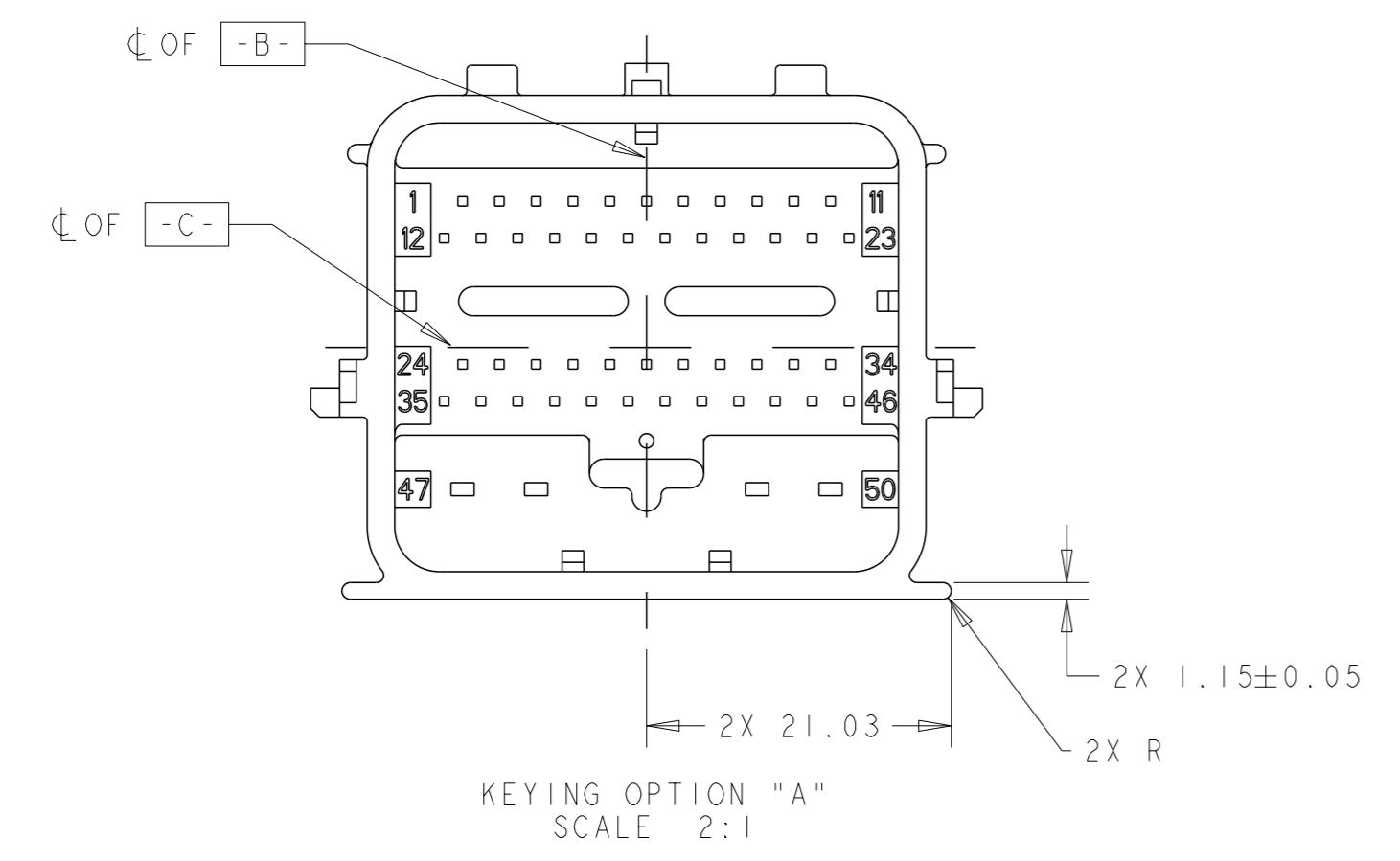
1438129-6
KEYING OPTION "F"

THIS DRAWING IS A CONTROLLED DOCUMENT.		OWN R. VESTAL	15APR2005		NAME 50-WAY HARNESS ASSEMBLY, PCM
DIMENSIONS:		CHK T. VALASEK	15APR2005		
mm	0 PLC ±	APVD T. VALASEK	15APR2005	SIZE	CAGE CODE
	1 PLC ±0.3	PRODUCT SPEC		A	00779
	2 PLC ±0.10	APPLICATION SPEC		SCALE	2:1
	3 PLC ±	WEIGHT		SHEET	2 OF 10
	4 PLC ±	CUSTOMER DRAWING		REV	F45
	ANGLES ±				
	FINISH ±				

Printed on 4 May 2024 09:46 (US Mountain Standard Time) from 15313069

HEADER INTERFACE KEYING OPTIONS

REVISIONS				
P	LYR	DESCRIPTION	DATE	OWN
-	-	SEE SHEET 1	-	-



THIS DRAWING IS A CONTROLLED DOCUMENT.		OWN: R. VESTAL 15APR2005	
DIMENSIONS: mm		CHK: T. VALASEK 15APR2005	
TOLERANCES UNLESS OTHERWISE SPECIFIED:		APVD: T. VALASEK 15APR2005	NAME: 50-WAY HARNESS ASSEMBLY, PCM
0 PLC ±	1 PLC ±0.3	PRODUCT SPEC	SIZE: CAGE CODE: DRAWING NO:
2 PLC ±0.10	3 PLC ±	APPLICATION SPEC	RESTRICTED TO:
4 PLC ±	ANGLES ±*	WEIGHT	A 100779 ©=1438129
MATERIAL		CUSTOMER DRAWING	SCALE: 1:1 SHEET 10 OF 10 REV: 45