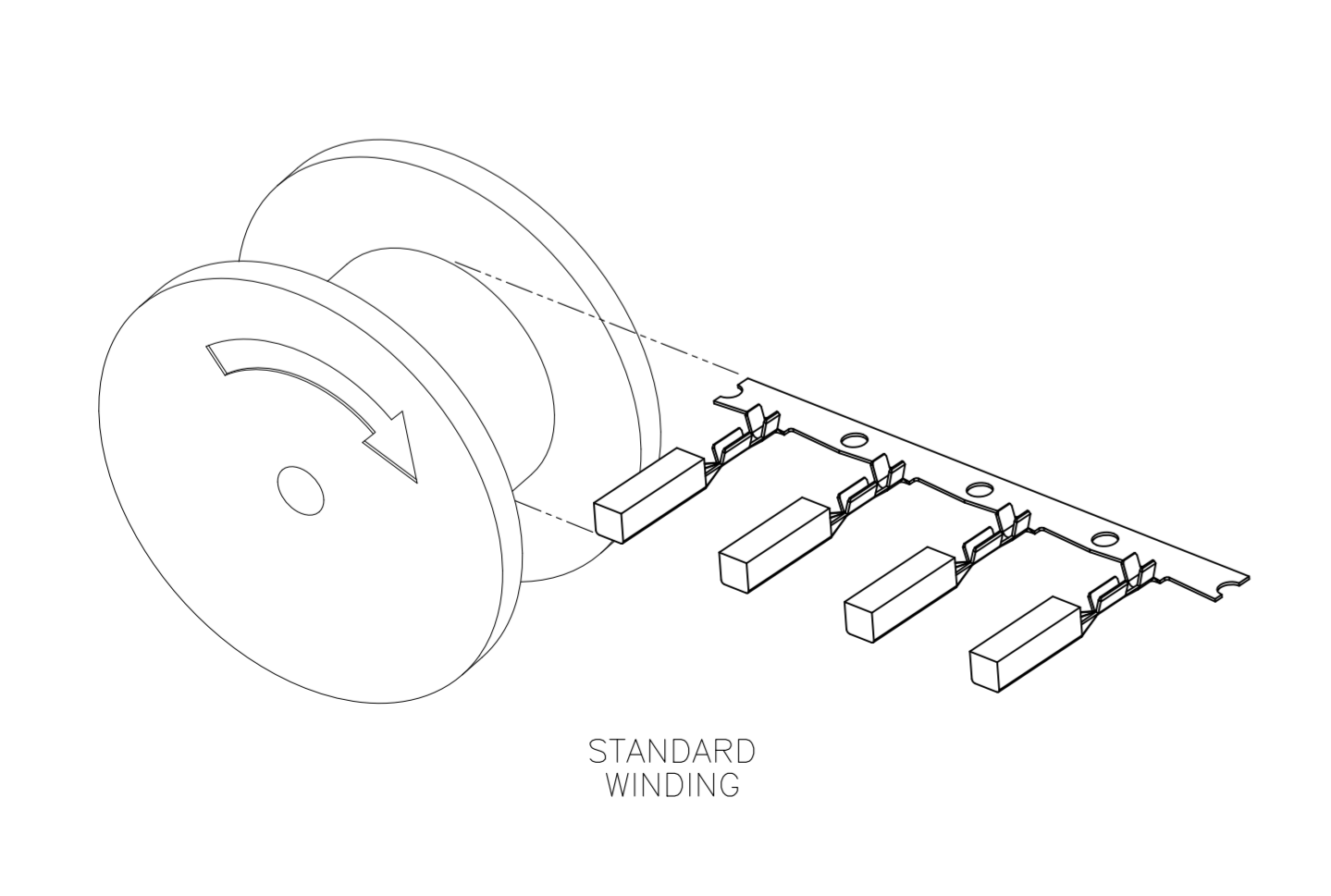
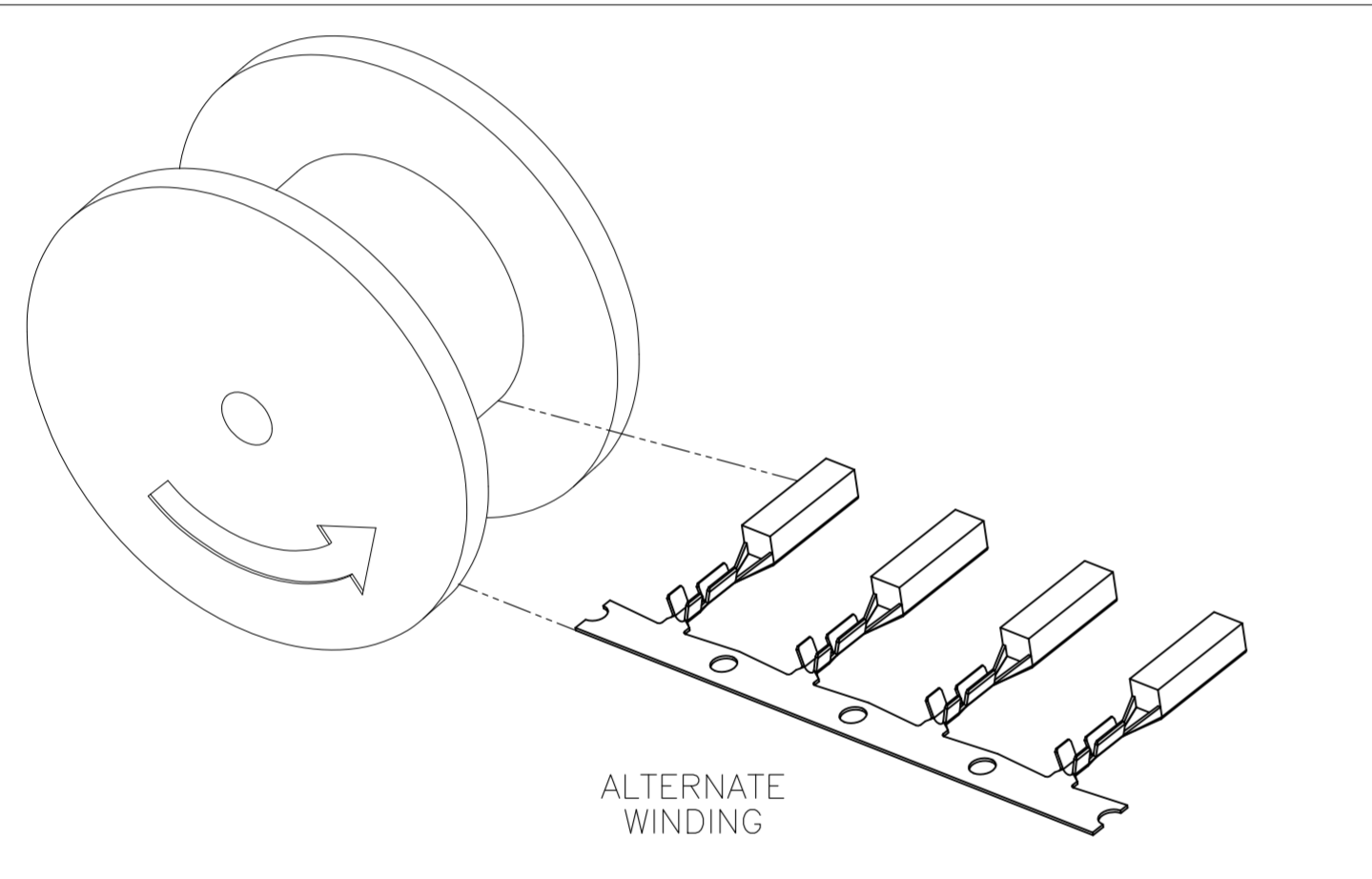
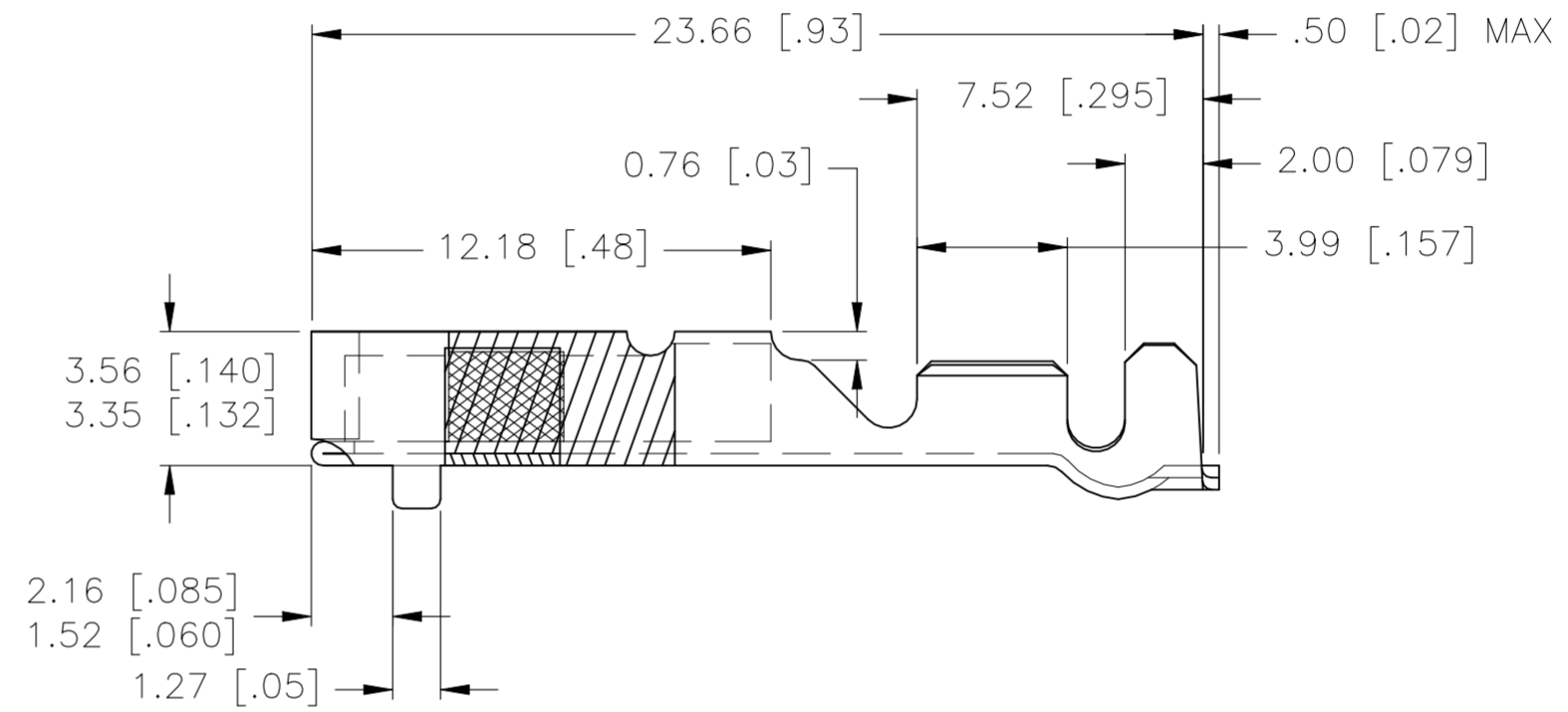
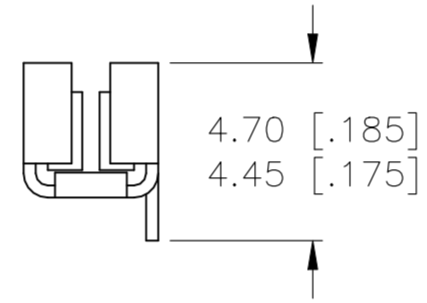
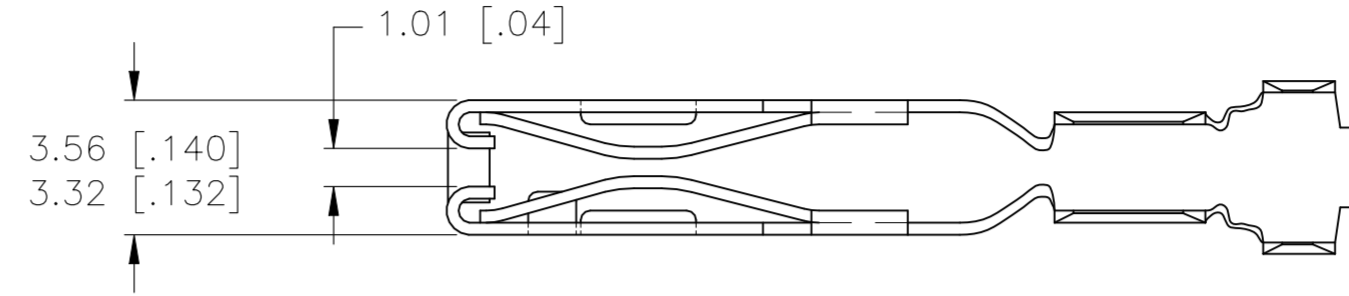


THIS DRAWING IS UNPUBLISHED. RELEASED FOR PUBLICATION  
 © COPYRIGHT - By - ALL RIGHTS RESERVED.

LOC		DIST		REVISIONS			
P	LTR	DESCRIPTION		DATE	DWN	APVD	
FX	00	D		REVISED PER ECO-15-007330	25AUG2015	DD	WW
		D1		REVISED PER ECO-20-012418	10SEP2020	AP	WW



SELECT GOLD	20, 18	1438232-5	18	-	
PRE-TIN	-	1438232-4	22	-	
PRE-TIN	16, 14	1438232-3	14	1-1438232-0	OBSOLETE
PRE-TIN	20, 18	1438232-2	18	-	
PRE-TIN	19	1438232-1	19	1-1438232-2	
PLATING	WIRE SIZE	TE PART No.	GRIP CODE	REWOUND GRIPS DOWN BOTTOM TO TOP	

THIS DRAWING IS A CONTROLLED DOCUMENT.

DWN	JR BUSSARD	09MAY2003		TE Connectivity TERMINAL, MINI-BLADE, RECEPTACLE (FEMALE)	
CHK	DM REVAK	09MAY2003			
APVD	DM REVAK	09MAY2003			
PRODUCT SPEC					
MATERIAL	SEE NOTES	FINISH	SEE NOTES	WEIGHT	-
DIMENSIONS: mm		TOLERANCES UNLESS OTHERWISE SPECIFIED:		SIZE	A2
0 PLC ± - 1 PLC ± - 2 PLC ± .25 3 PLC ± - 4 PLC ± - ANGLES ± 1°		APPLICATION SPEC		CAGE CODE	00779
MATERIAL		FINISH		DRAWING NO	C=1438232
SEE NOTES		SEE NOTES		RESTRICTED TO	-
CUSTOMER DRAWING				SCALE	5:1
				SHEET	1 of 1
				REV	D1