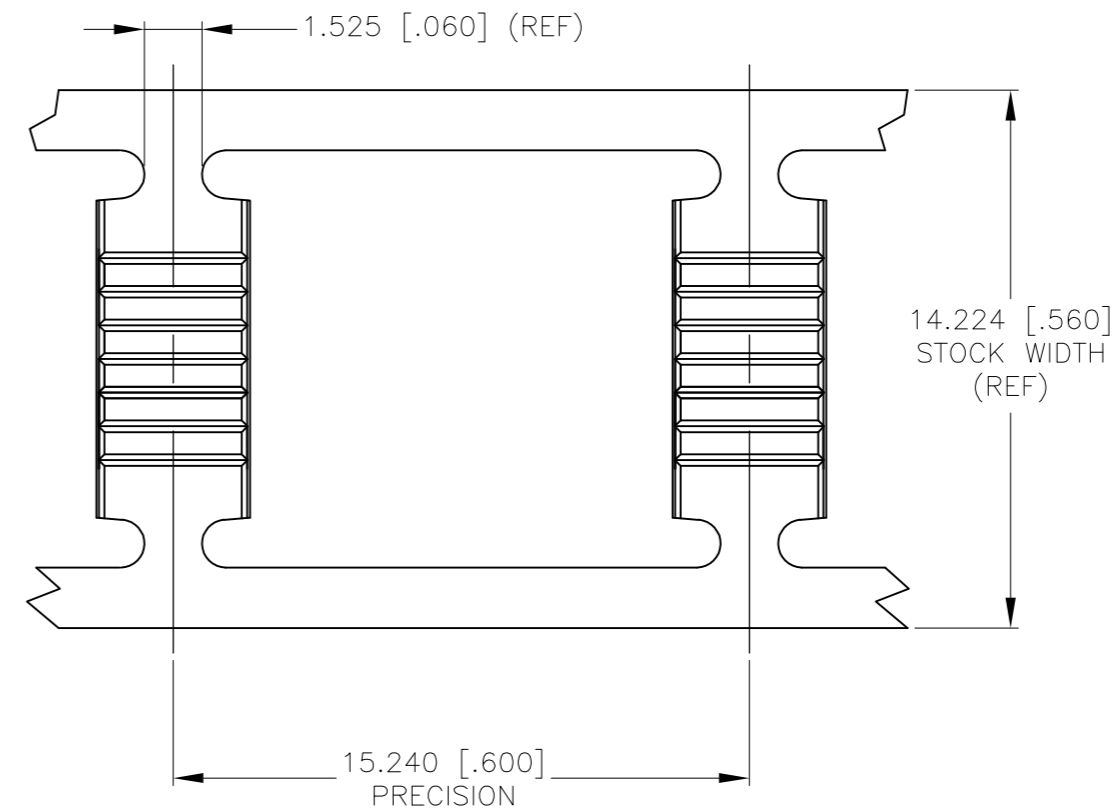
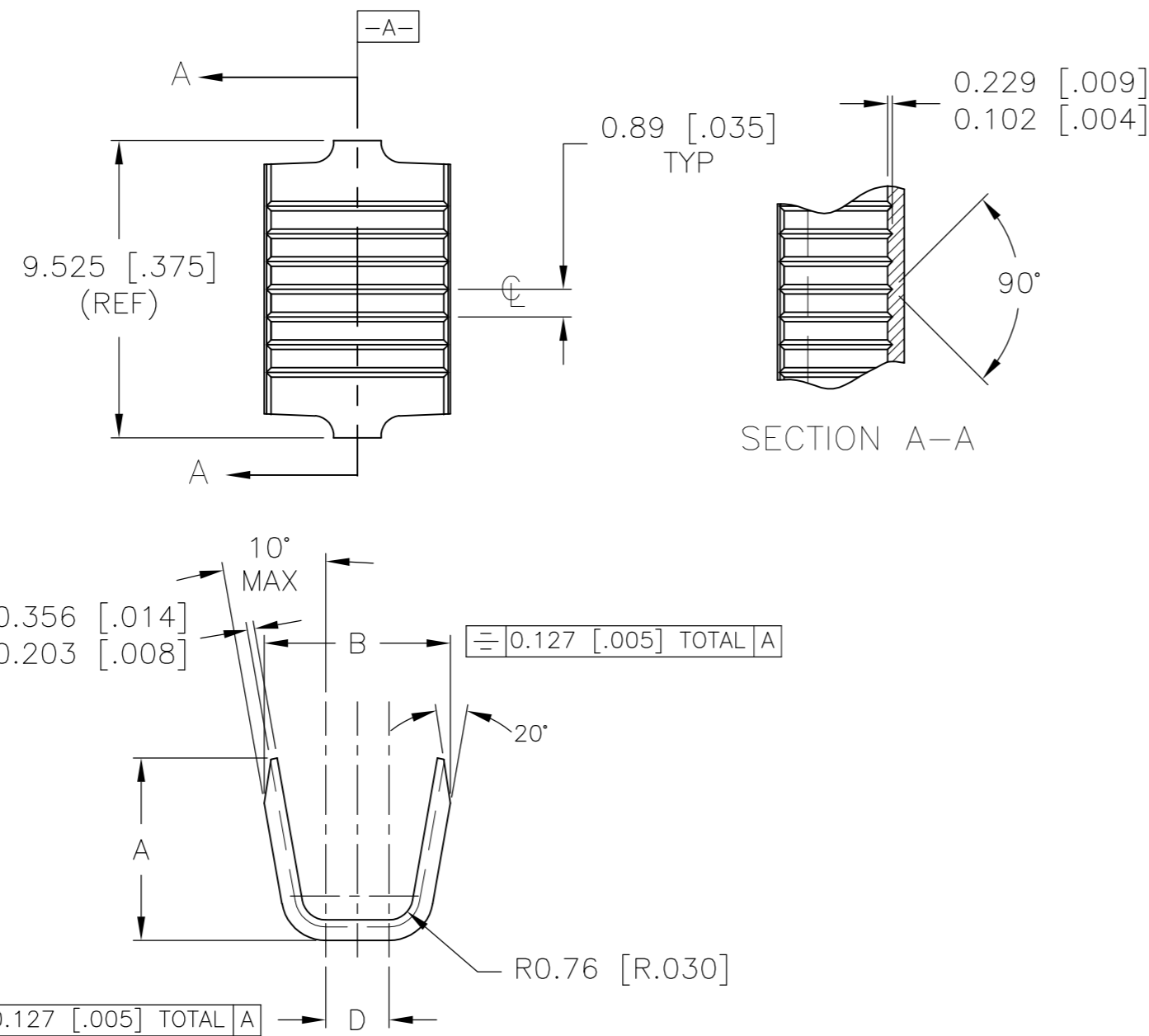


THIS DRAWING IS UNPUBLISHED. RELEASED FOR PUBLICATION
 © COPYRIGHT BY TYCO ELECTRONICS CORPORATION. ALL INTERNATIONAL RIGHTS RESERVED.

LOC	DIST	REVISIONS			
P	LTR	DESCRIPTION	DATE	DWN	APVD
FX	00				
	A	REVISED PER ECO-10-017641	27AUG2010	DD	WW



-	-	-	-	-
.060	.205/.185	.195/.165	11	1438256-2
.080	.235/.215	.245/.215	9	1438256-1
D	B	A	WIRE GAGE	TE P/N

THIS DRAWING IS A CONTROLLED DOCUMENT.		DWN	12 JUNE 2003	Tyco Electronics Corporation	
DIMENSIONS: mm [INCHES]		CHK	12 JUNE 2003	Harrisburg, PA 17105-3608	
TOLERANCES UNLESS OTHERWISE SPECIFIED:		APVD	12 JUNE 2003	NAME	
0 PLC ± -		PRODUCT SPEC		SPLICE CLIP	
1 PLC ± -		APPLICATION SPEC		SIZE	CAGE CODE
2 PLC ± .01				A2	00779
3 PLC ± .005				DRAWING NO	RESTRICTED TO
4 PLC ± -				C=1438256	-
ANGLES ± ±1'		WEIGHT	-	SCALE	SHEET
MATERIAL	FINISH	CUSTOMER DRAWING		5:1	1 of 1
CA260 1/2 HARD	-			REV	A