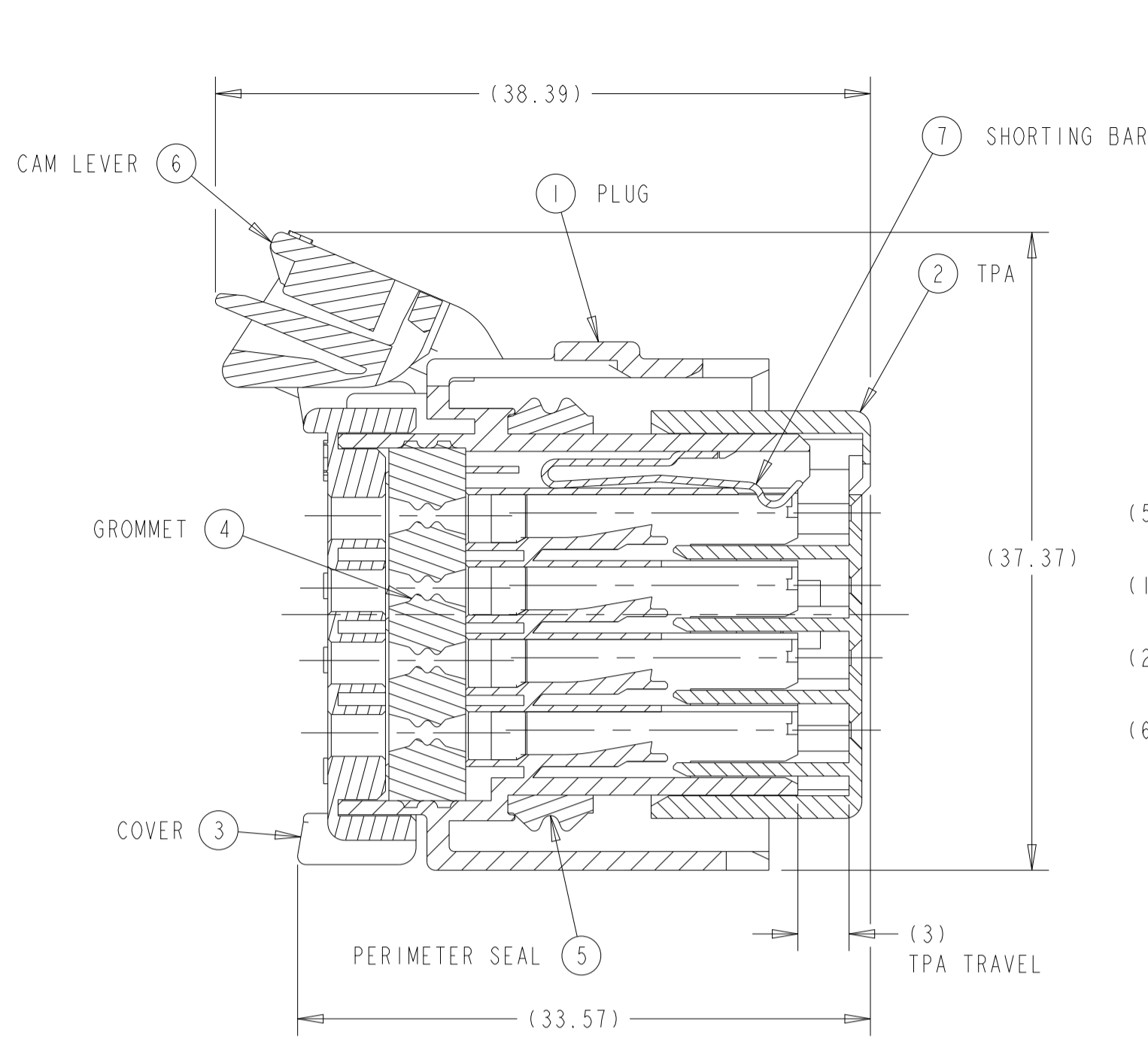
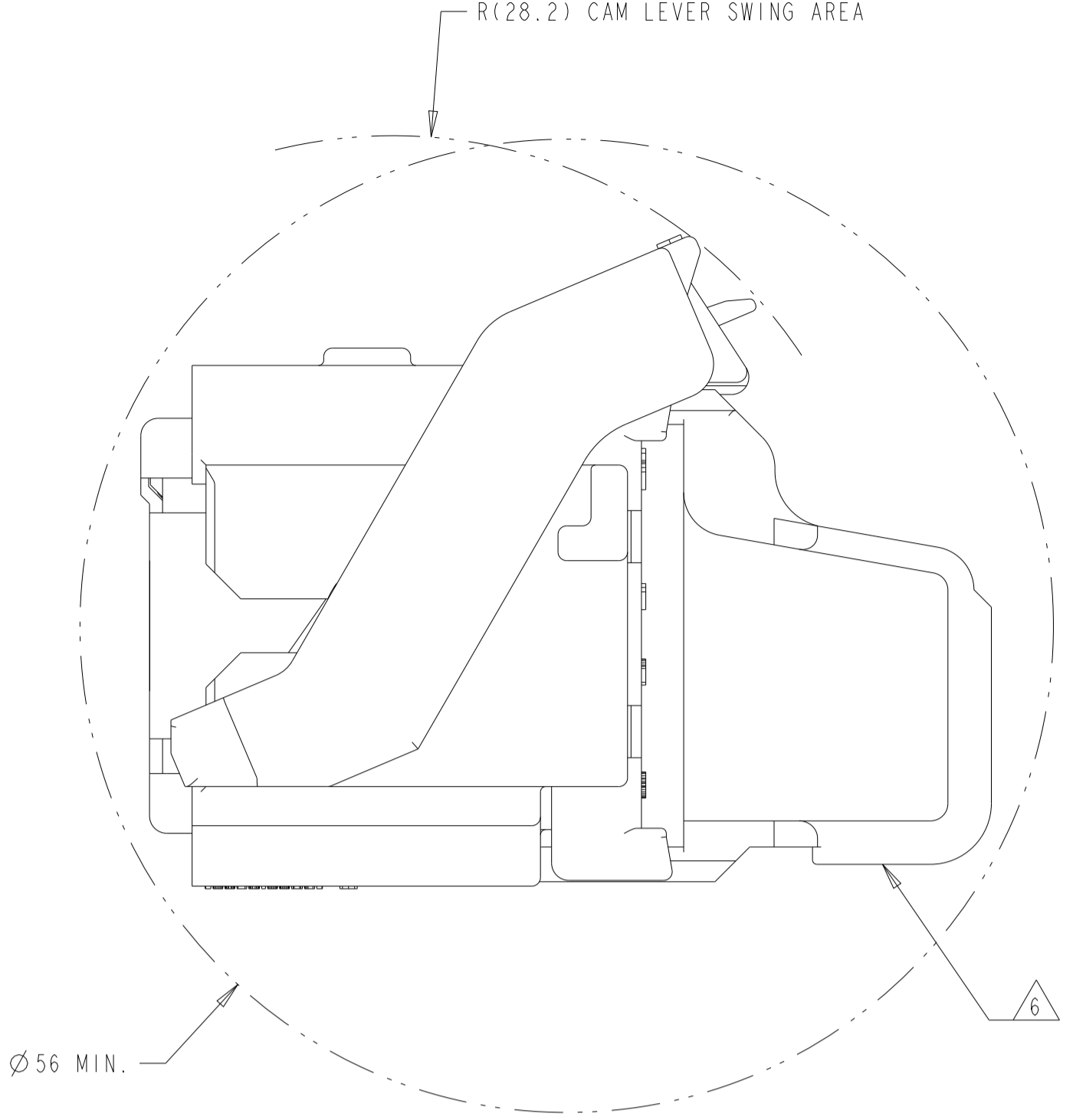
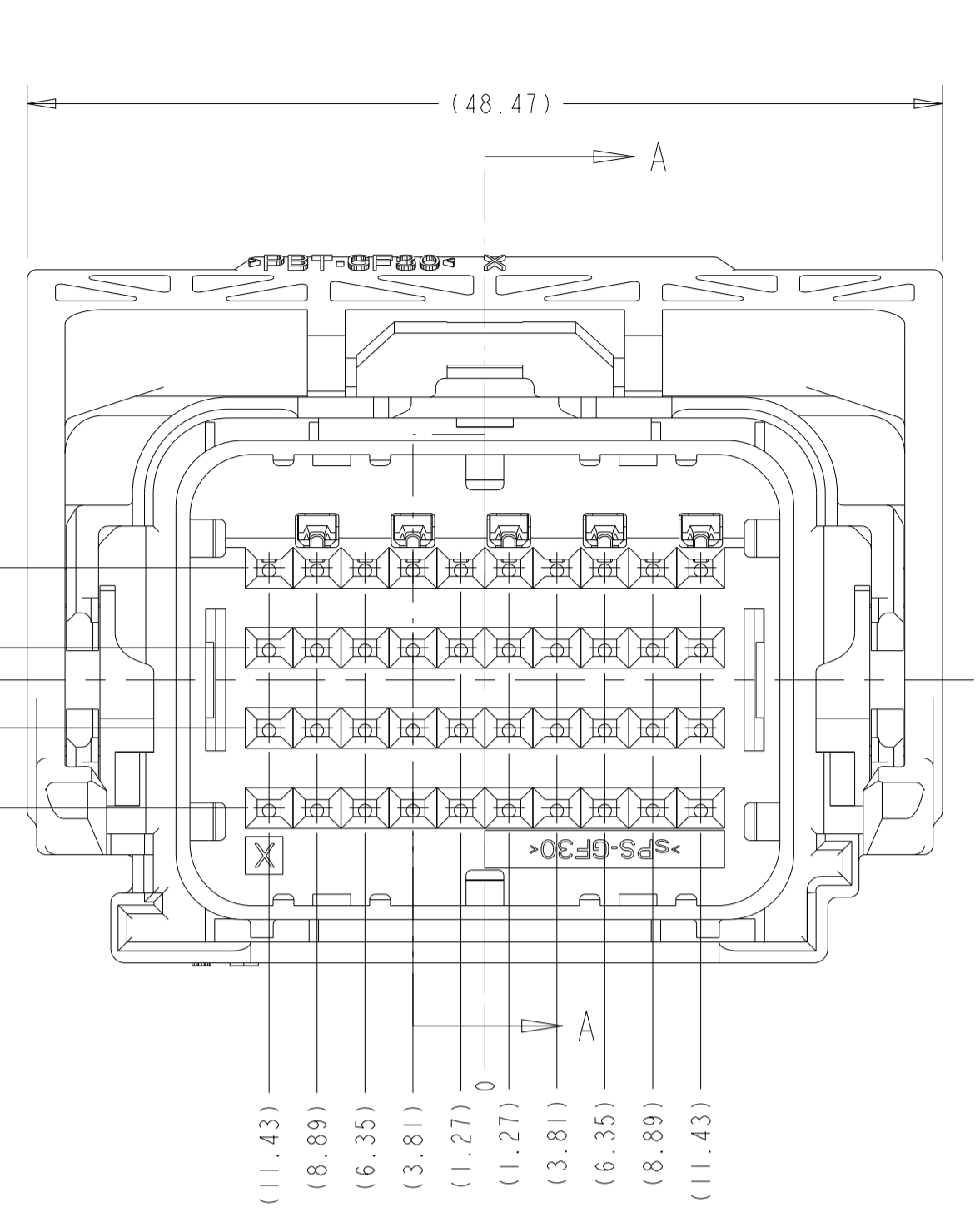


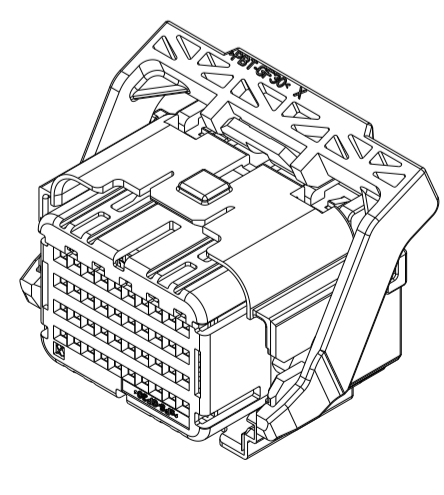
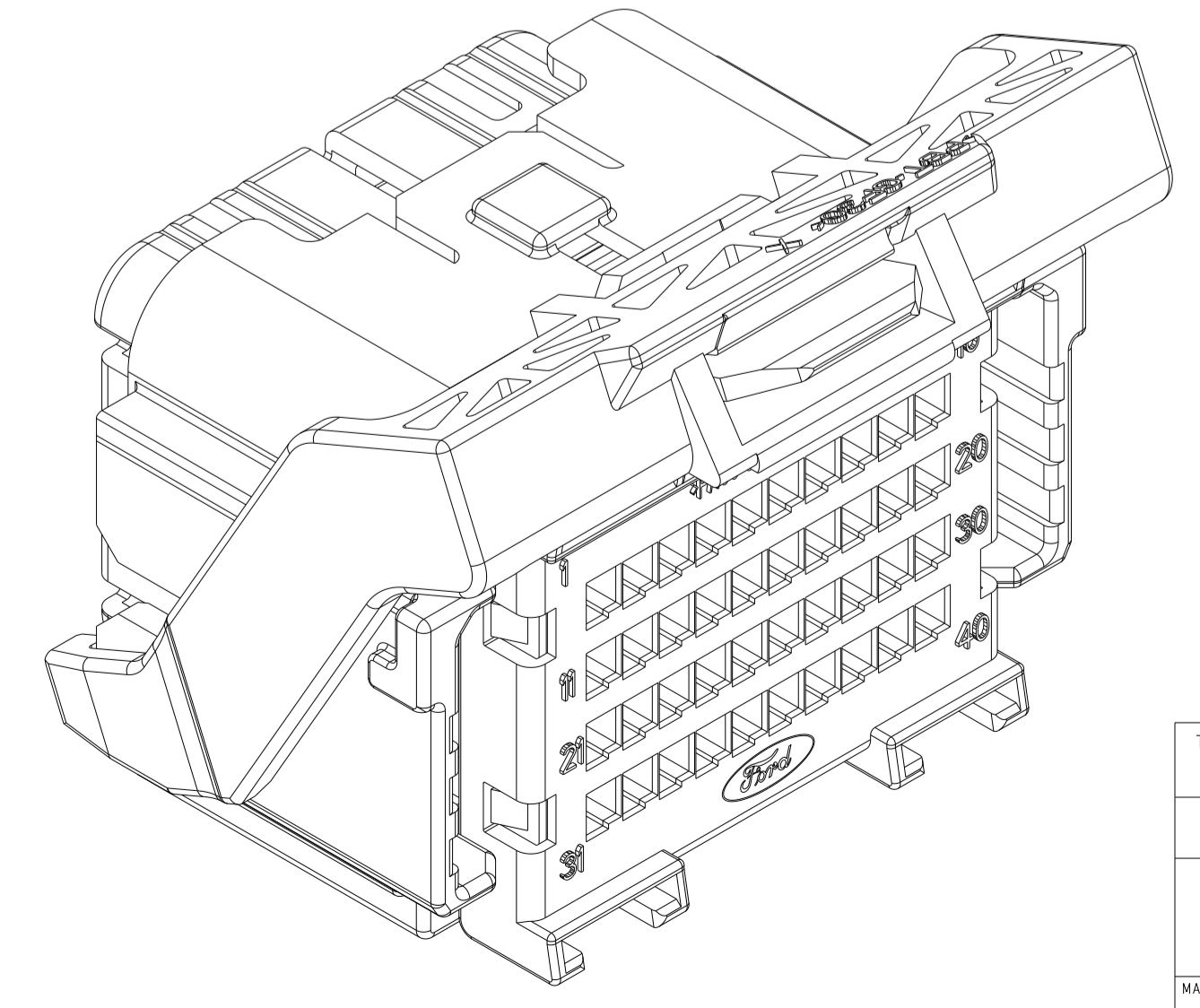
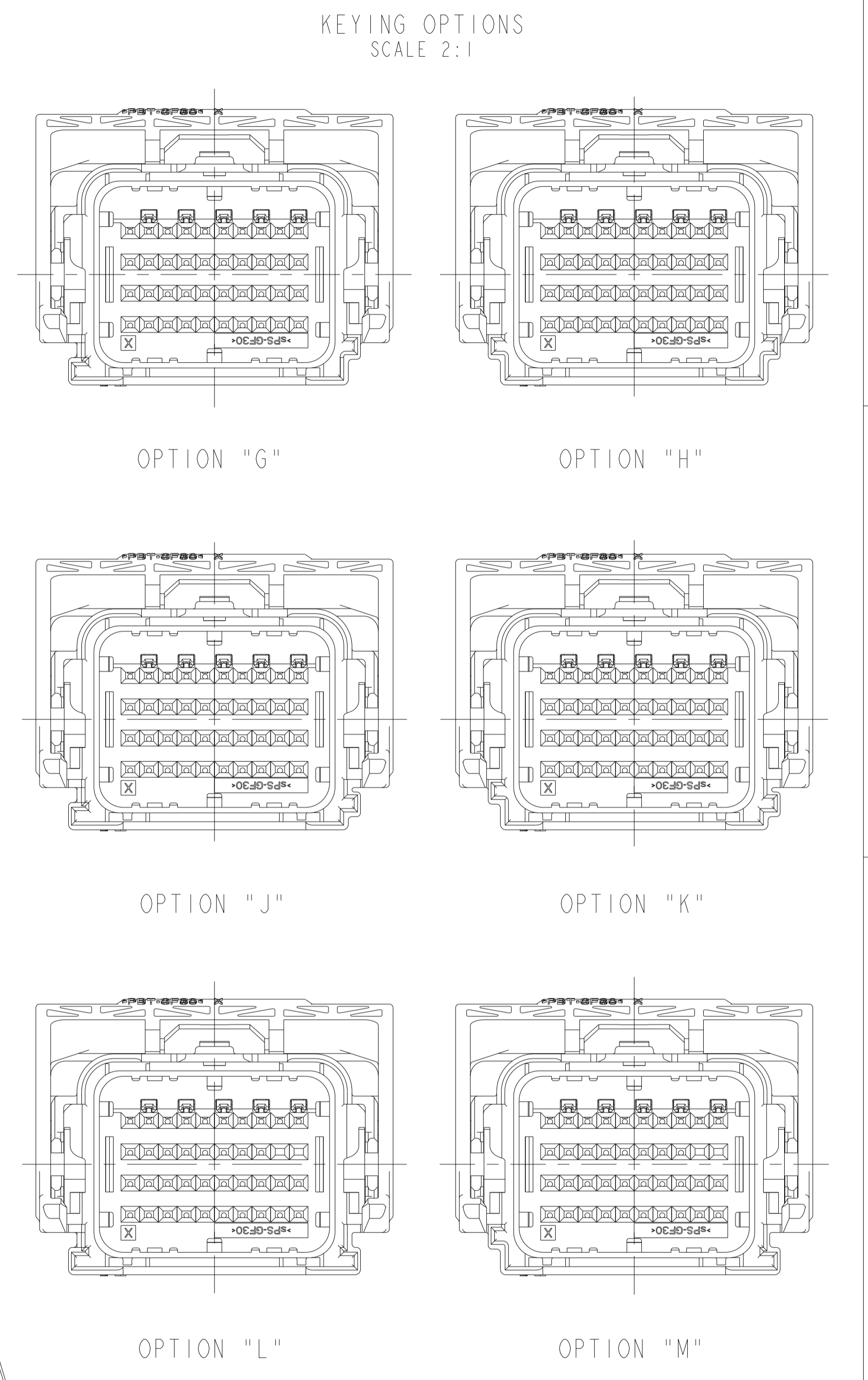
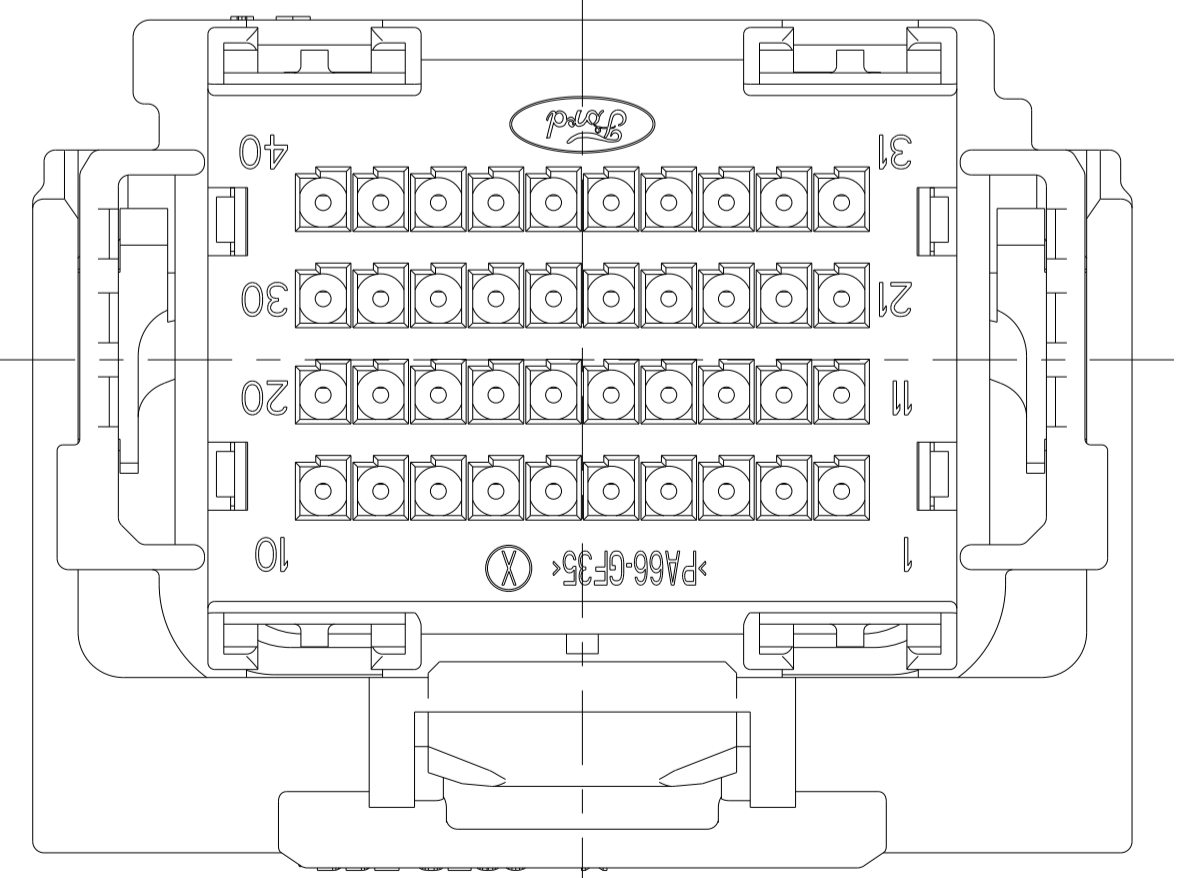
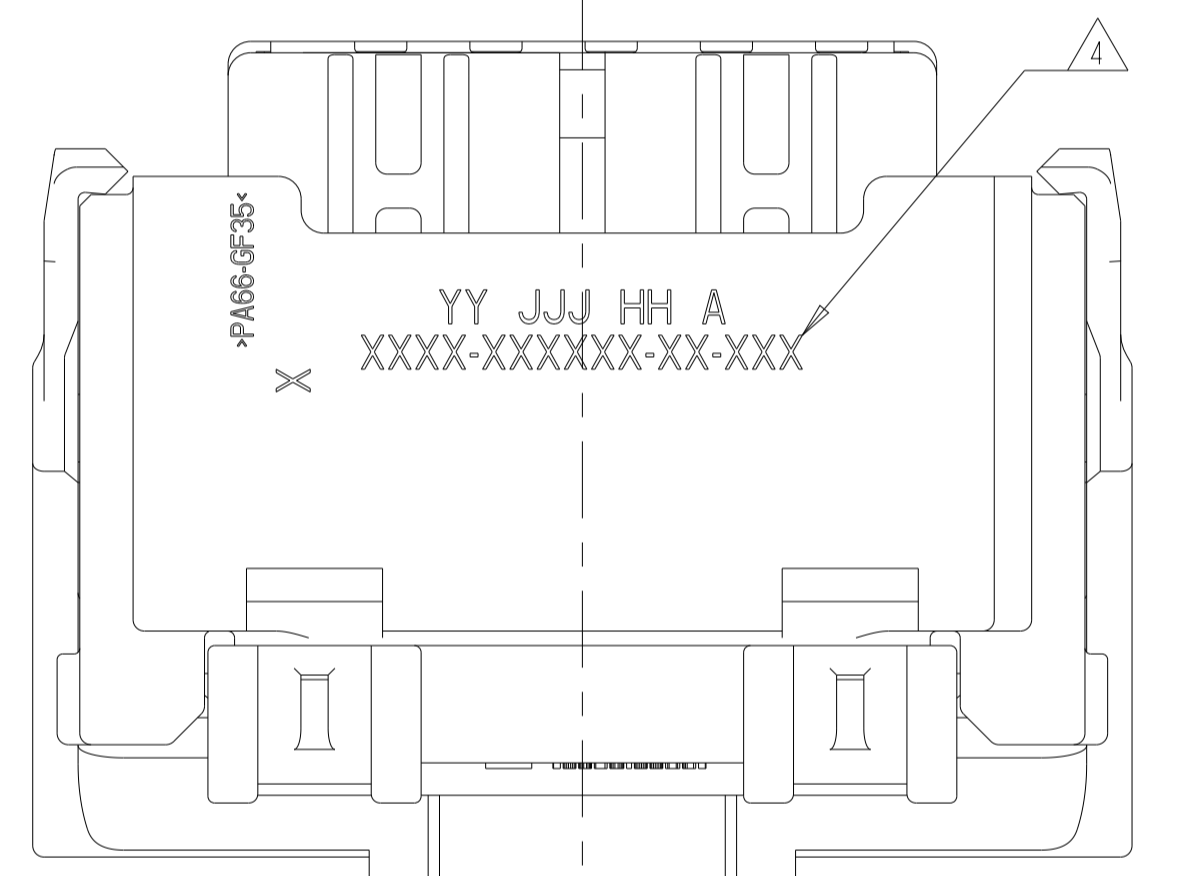
REVISIONS				
P	LTN	DESCRIPTION	DATE	APVD
F		REVISED PER EC 0K80-0391-04	29OCT2004	DLD WTW
G		REVISED PER ECR-05-013160	10NOV2005	DLD WTW
G1		REVISED PER ECO-20-012415	10SEP2020	AP WW
G2		REV PER ECN-22-168671	18AUG2022	SMR WW



SECTION A-A
SHOWN WITH CAM LEVER
AND TPA IN THEIR
PRE-LOADED POSITIONS
(DELIVERY CONDITION)



MINIMUM FEED THROUGH CONDITION
WITH 1mm CLEARANCE ALL AROUND
SHOWN WITH OPTION WIRESHIELD
TPA IS IN IT'S LOADED POSITION
CAM LEVER IS IN IT'S PRE-LOADED POSITION



KEYING OPTION "G" SHOWN
SEE SHEET 2 FOR BILL OF
MATERIAL AND PIN-OUT CHARTS

- NOTE(S):
- APPLICABLE TERMINAL PART NUMBERS (SOLD SEPARATELY):
FOR TIN APPLICATIONS: 1393367 AND 1393366.
FOR GOLD APPLICATIONS: 1393365 AND 1393364.
FOR TERMINATION AND REELING OPTIONS
SEE DRAWINGS 1393367, 1393366, 1393365, AND 1393364.
 - COMPATIBLE WIRE SIZES FOR MAT SEAL DESIGN 1.19 TO 2.06 O.D.
(22-18 AWG, 0.35-0.75 mm2)
 - TPA AND CAM LEVER ARE SHIPPED IN THEIR PRE-LOADED POSITION.
ALL ASSEMBLIES ARE TO BE TRAY PACKAGED.
 - CUSTOMER PART NUMBER AND TRACEABILITY CODE (YY = TWO DIGIT YEAR,
JJJ = JULIAN DAY, HH = TWO DIGIT MILITARY HOUR, A = ASSEMBLY
PROCESS USED) ARE PRINTED IN THIS LOCATION.
 - PART ASSEMBLY WEIGHT WITHOUT TERMINALS AND WITH STANDARD PIN-OUT
CONFIGURATION IS 24.71 GRAMS.
 - OPTIONAL WIRESHIELD P/N 8-1419157-8 (SOLD SEPARATELY). PLEASE CONTACT
YOUR TYCO ELECTRONICS SALES REPRESENTATIVE FOR AVAILABILITY AND PRICING.
 - OBSOLETE PART

THIS DRAWING IS A CONTROLLED DOCUMENT.		OWN: D_AHERON 08AUG2003		NAME: 40 WAY ARM PLUG ASSEMBLY WITH SELECT LOAD SHORTING BARS CUSTOMER SPEC.
DIMENSIONS:		CHK: W_WELLINSKY 08AUG2003		
mm	0 PLC ±	APVD: W_WELLINSKY 08AUG2003	SIZE: A	RESTRICTED TO:
	1 PLC ±	PRODUCT SPEC:	CAGE CODE: 00779	SCALE: 3:1
	2 PLC ±	APPLICATION SPEC:	WEIGHT: SEE NOTE 5	SHEET: 1 OF 2
	3 PLC ±	MATERIAL: SEE CHART ON SHEET 2	CUSTOMER DRAWING	REV: G2
	4 PLC ±			
	ANGLES ±			
	FINISH			

