

4

3

2

1

THIS DRAWING IS UNPUBLISHED.

RELEASED FOR PUBLICATION

20

© COPYRIGHT 20

BY TYCO ELECTRONICS CORPORATION. ALL RIGHTS RESERVED.

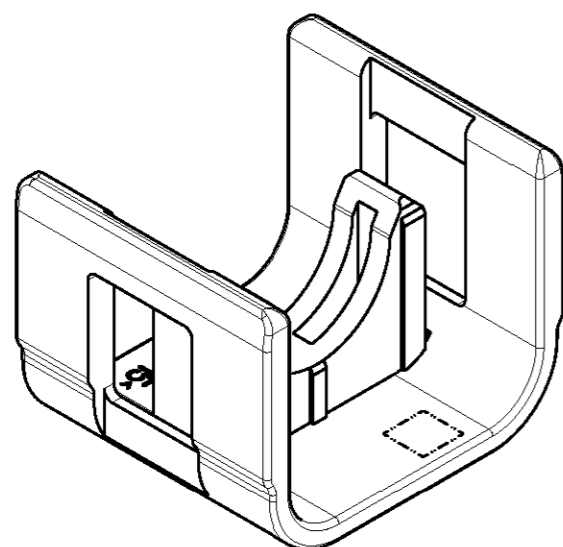
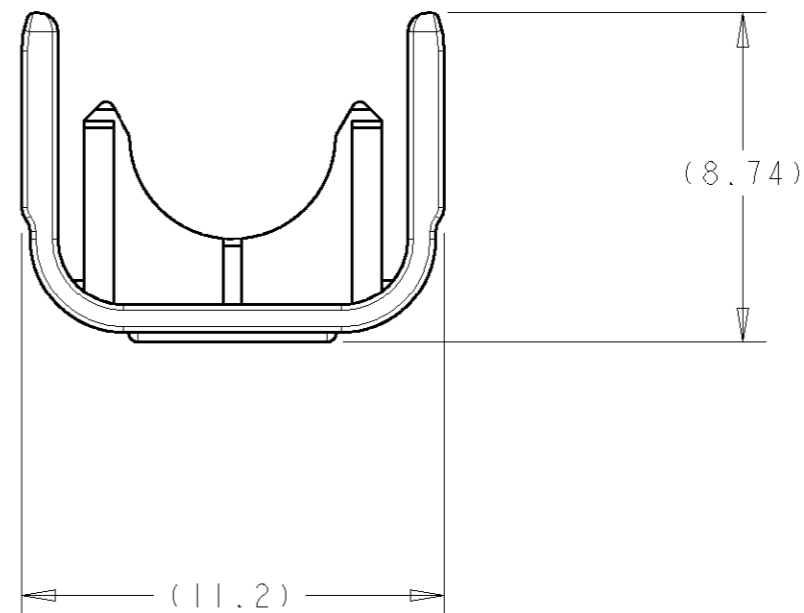
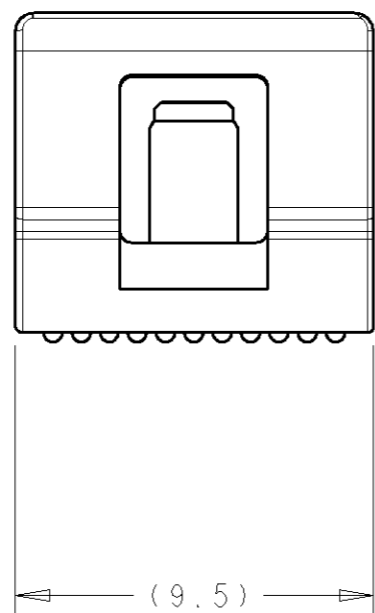
LOC IN DIST 00

REVISIONS

| P | LTR | DESCRIPTION | DATE | DWN | APVD |
|---|-----|-----------------|-----------|-----|------|
| | A | INITIAL RELEASE | 05JAN2006 | DJH | JWH |
| | | | | | |
| | | | | | |

1 POLYESTER PBT, RED.

2. SEE INSTRUCTION SHEET 408-10028.



ISOMETRIC VIEW

1438888-1
PART NUMBER

| | | | | | | | |
|---|--|---|--|--|--|--|--|
| <small>THIS DRAWING IS A CONTROLLED DOCUMENT FOR TYCO ELECTRONICS CORPORATION IT IS SUBJECT TO CHANGE AND THE CONTROLLING ENGINEERING ORGANIZATION SHOULD BE CONTACTED FOR THE LATEST REVISION.</small> | | DWN D.J.HARDY 04JAN2006 CHR J.W.HALL 05JAN2006 APVD J.W.HALL 05JAN2006 | | tyco Electronics | | Tyco Electronics Harrisburg, PA 17105-3608 | |
| DIMENSIONS: mm | | TOLERANCES UNLESS OTHERWISE SPECIFIED: 0 PLC ±- 1 PLC ±- 2 PLC ±- 3 PLC ±- 4 PLC ±- ANGLES ±- | | PRODUCT SPEC - APPLICATION SPEC 114-13157 WEIGHT - | | NAME LOCK, 1 POSITION, FAKRA, SMB - - | |
| MATERIAL - 1 | | FINISH - | | SIZE A3 | | CAGE CODE 00779 | |
| | | CUSTOMER DRAWING | | DRAWING NO C-1438888 | | RESTRICTED TO - | |
| | | | | SCALE 5:1 | | SHEET 1 OF 1 REV A | |