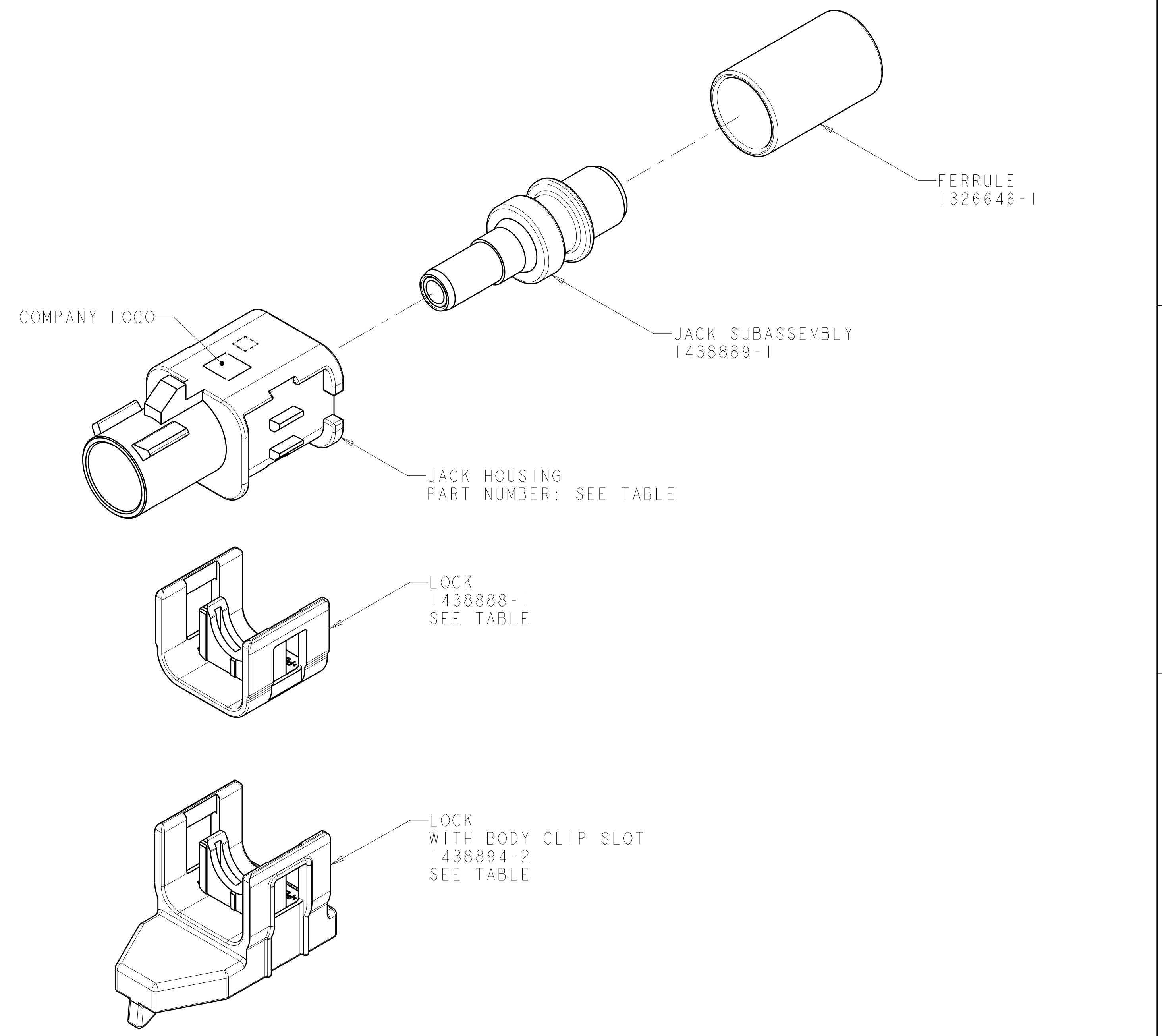
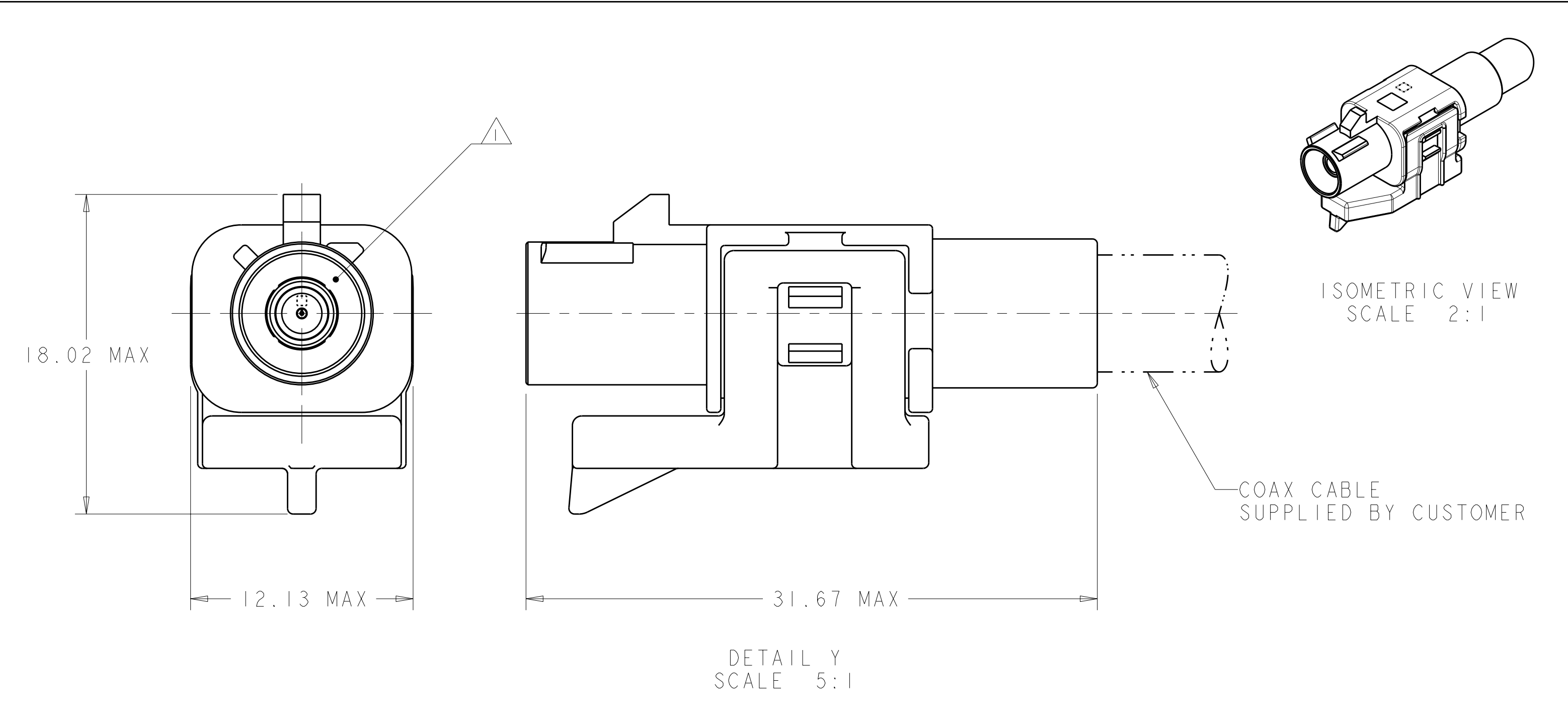
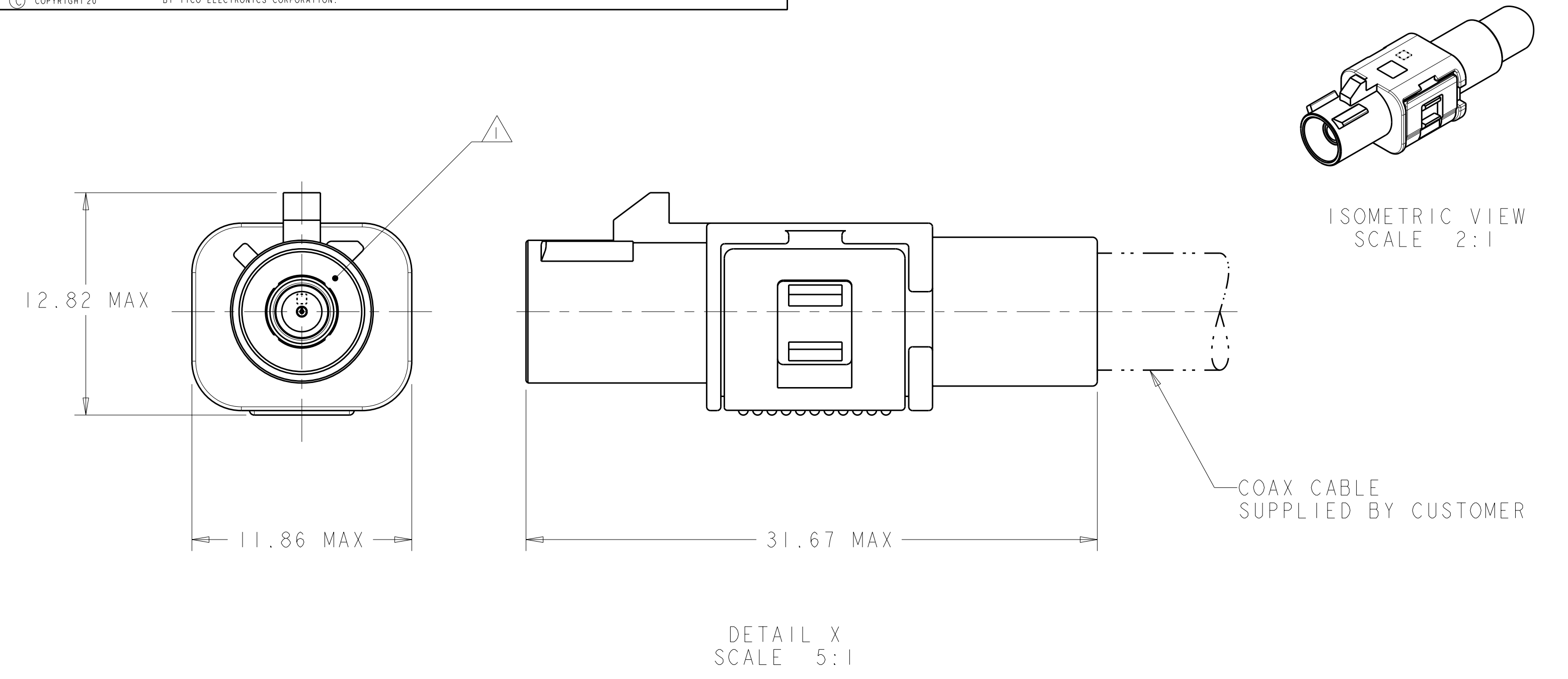
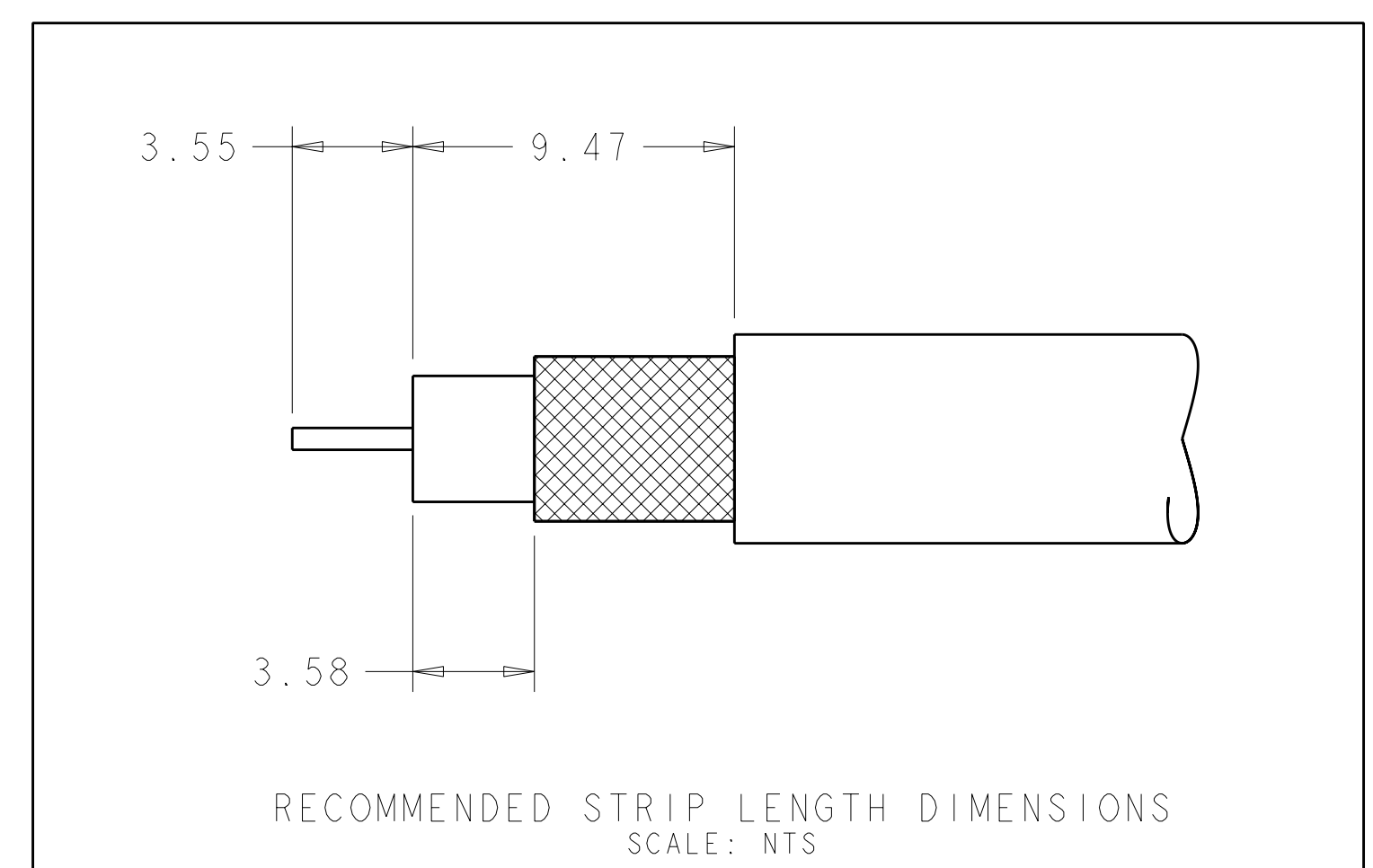


LOC	DIST	REV	DATE	BY	APPD
IN	00	E	05JUN2007	AH	LLV
		E1	30JUN2010	DLD	LLV



△ JACK INTERFACE PER DIN 72594-1, ROAD VEHICLES - RADIO FREQUENCY INTERFACE - DIMENSIONS AND ELECTRICAL REQUIREMENTS.

- JACK SUBASSEMBLY WILL ACCEPT RG-62 COAXIAL CABLE.
- SEE INSTRUCTION SHEET 408-10028.
- SPACER 1274233-2 MUST BE PURCHASED SEPERATELY.
- PIN CONTACT 1438890-8 MUST BE PURCHASED SEPERATELY.



PER DETAIL	PER DETAIL	PER DETAIL	PER DETAIL	PER DETAIL	PER DETAIL	PER DETAIL	PER DETAIL
Y	K	K	GRAY	1438894-2	CURRY	1-1438887-0	6-1438891-0
Y	H	H	GRAY	1438894-2	HEATHER VIOLET	1438887-8	5-1438891-8
Y	D	D	GRAY	1438894-2	CLARET VIOLET	1438887-4	5-1438891-4
Y	C	C	GRAY	1438894-2	SIGNAL BLUE	1438887-3	5-1438891-3
Y	B	B	GRAY	1438894-2	SIGNAL WHITE	1438887-2	5-1438891-2
Y	A	A	GRAY	1438894-2	JET BLACK	1438887-1	5-1438891-1
X	K	K	RED	1438888-1	CURRY	1-1438887-0	1-1438891-0
X	H	H	RED	1438888-1	HEATHER VIOLET	1438887-8	1438891-8
X	D	D	RED	1438888-1	CLARET VIOLET	1438887-4	1438891-4
X	C	C	RED	1438888-1	SIGNAL BLUE	1438887-3	1438891-3
X	B	B	RED	1438888-1	SIGNAL WHITE	1438887-2	1438891-2
X	A	A	RED	1438888-1	JET BLACK	1438887-1	1438891-1
ASSEMBLY	KEYING	CODING	LOCK COLOR	LOCK PART NUMBER	HOUSING COLOR	JACK HOUSING PART NUMBER	PART NUMBER

DIMENSIONS: mm TOLERANCES UNLESS OTHERWISE SPECIFIED: 9 PLC ± 1 PLC ±0.25 5 PLC ± 4 PLC ± ANGLES ± FINISH		DWN: D.J. HARDY 03JAN2005 CHK: J.W. HALL 13JAN2005 APVD: J.W. HALL 13JAN2005	Tyco Electronics Harrisburg, PA 17105-3608
MATERIAL: - FINISH: -		NAME: JACK KIT, UNASSEMBLED, 1 POSITION, RG-62, 180 DEGREE, FAKRA, SMB PRODUCT SPEC: - APPLICATION SPEC: 114-13157 WEIGHT: - CUSTOMER DRAWING	SIZE: A1 CAGE CODE: 00779 DRAWING NO: 1438891 SHEET 1 OF 2 REV: E1

