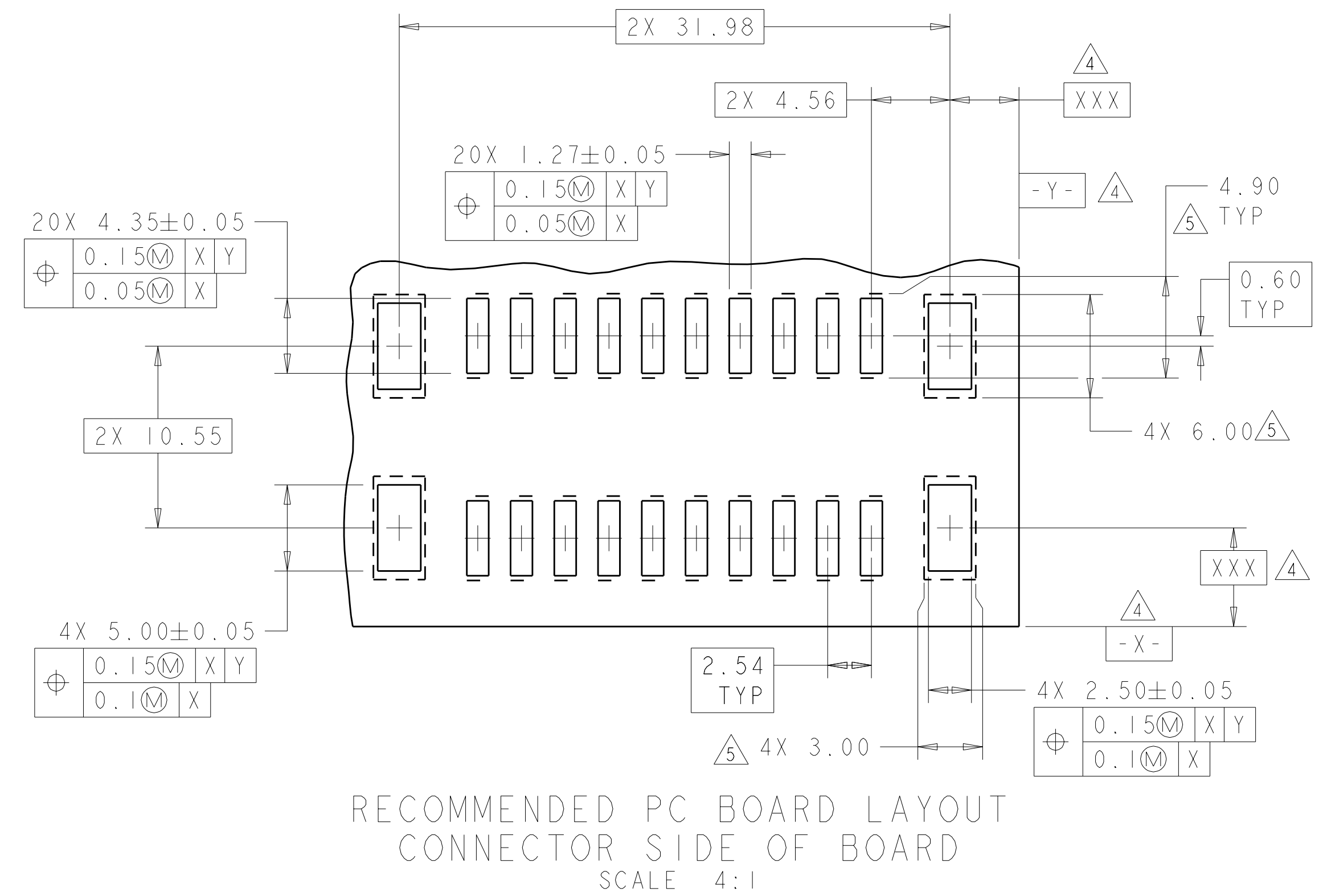
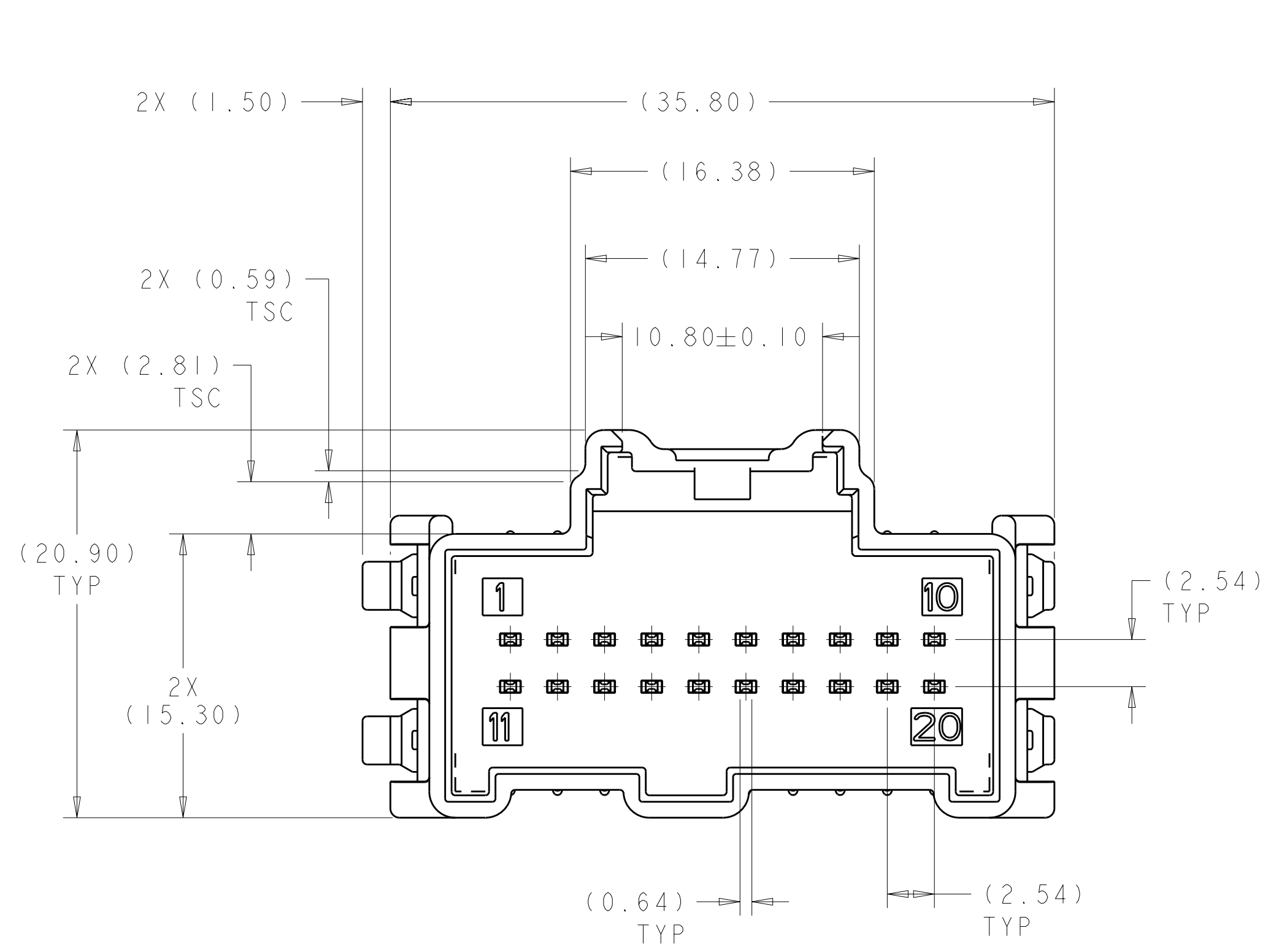
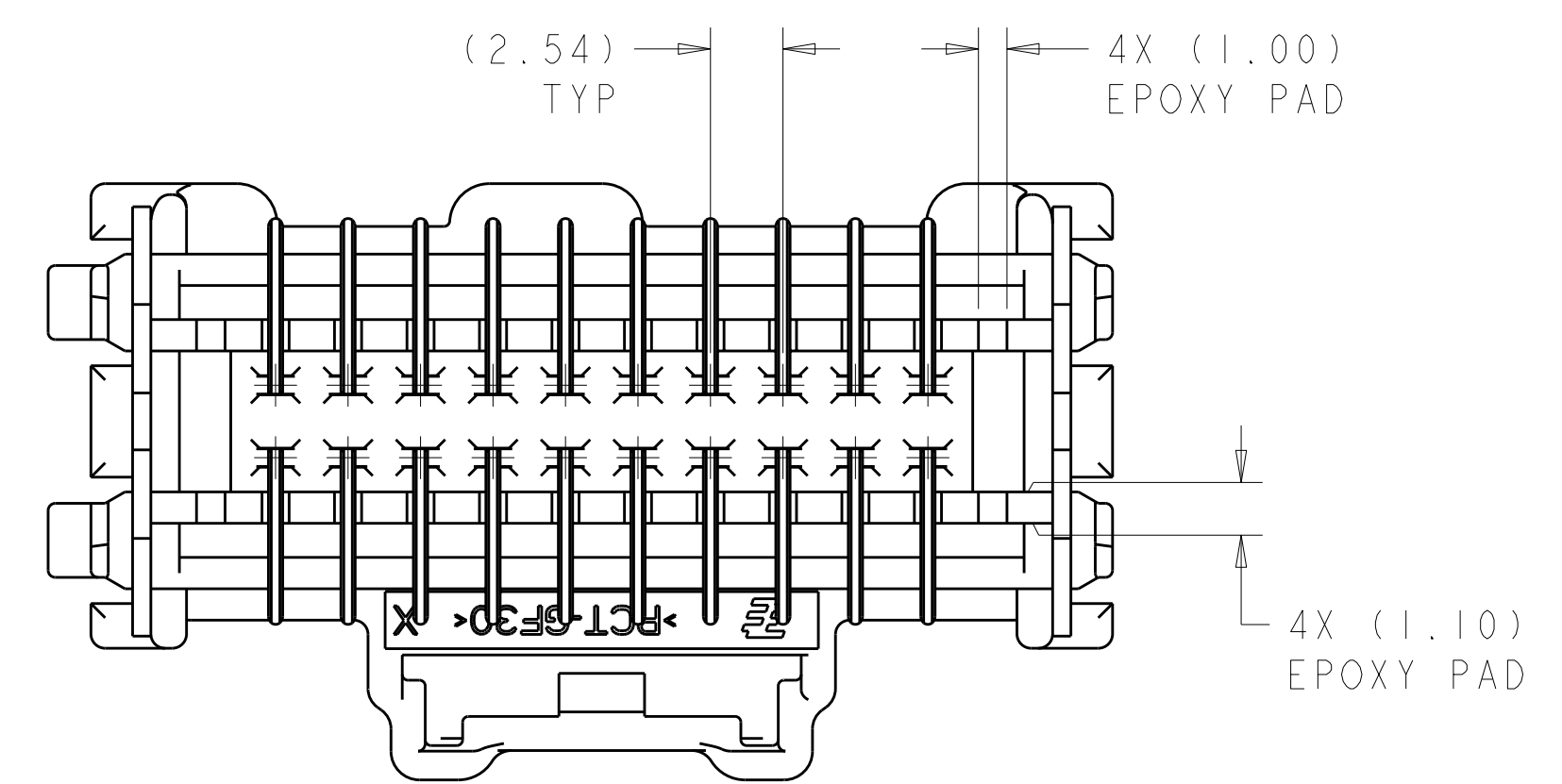
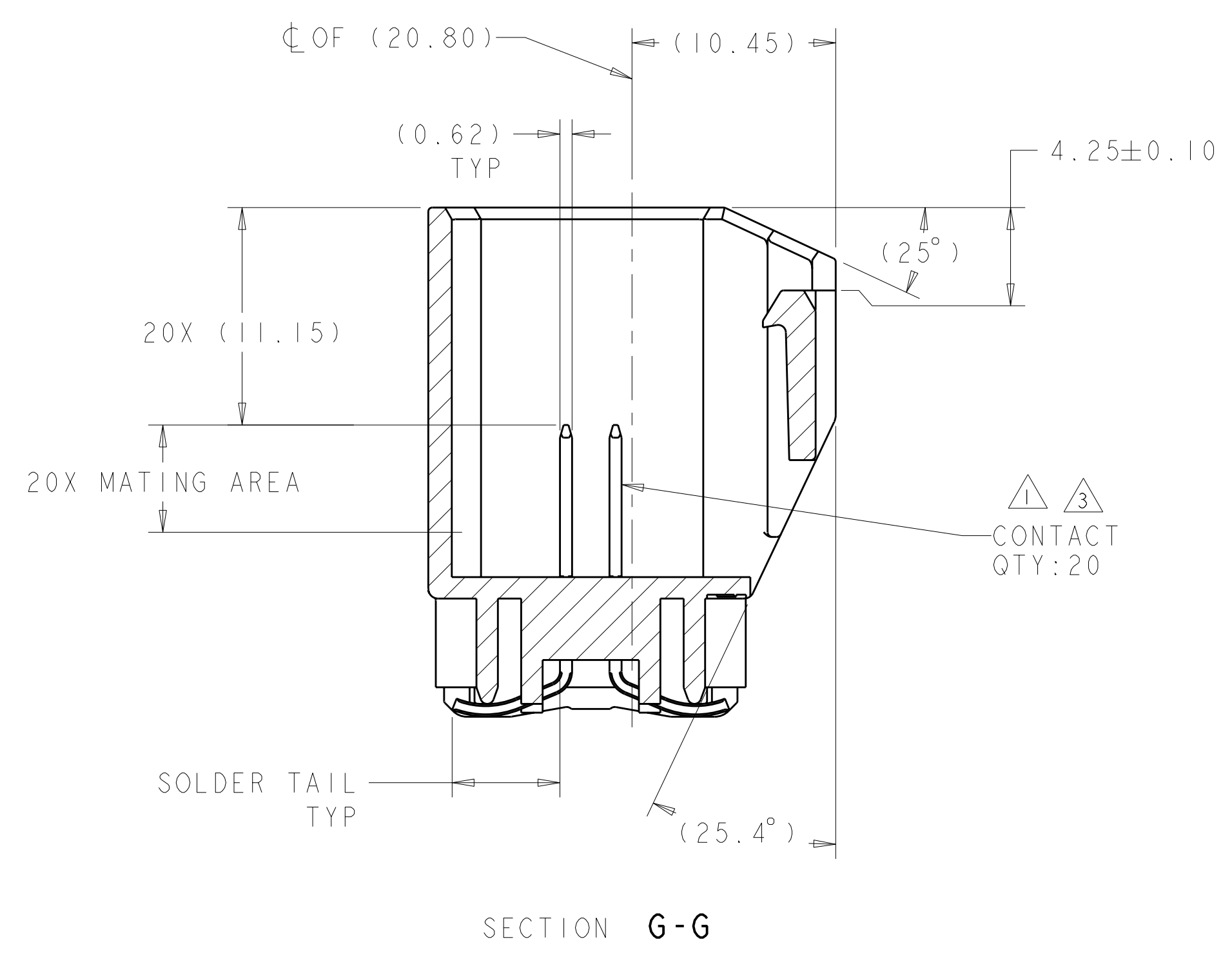
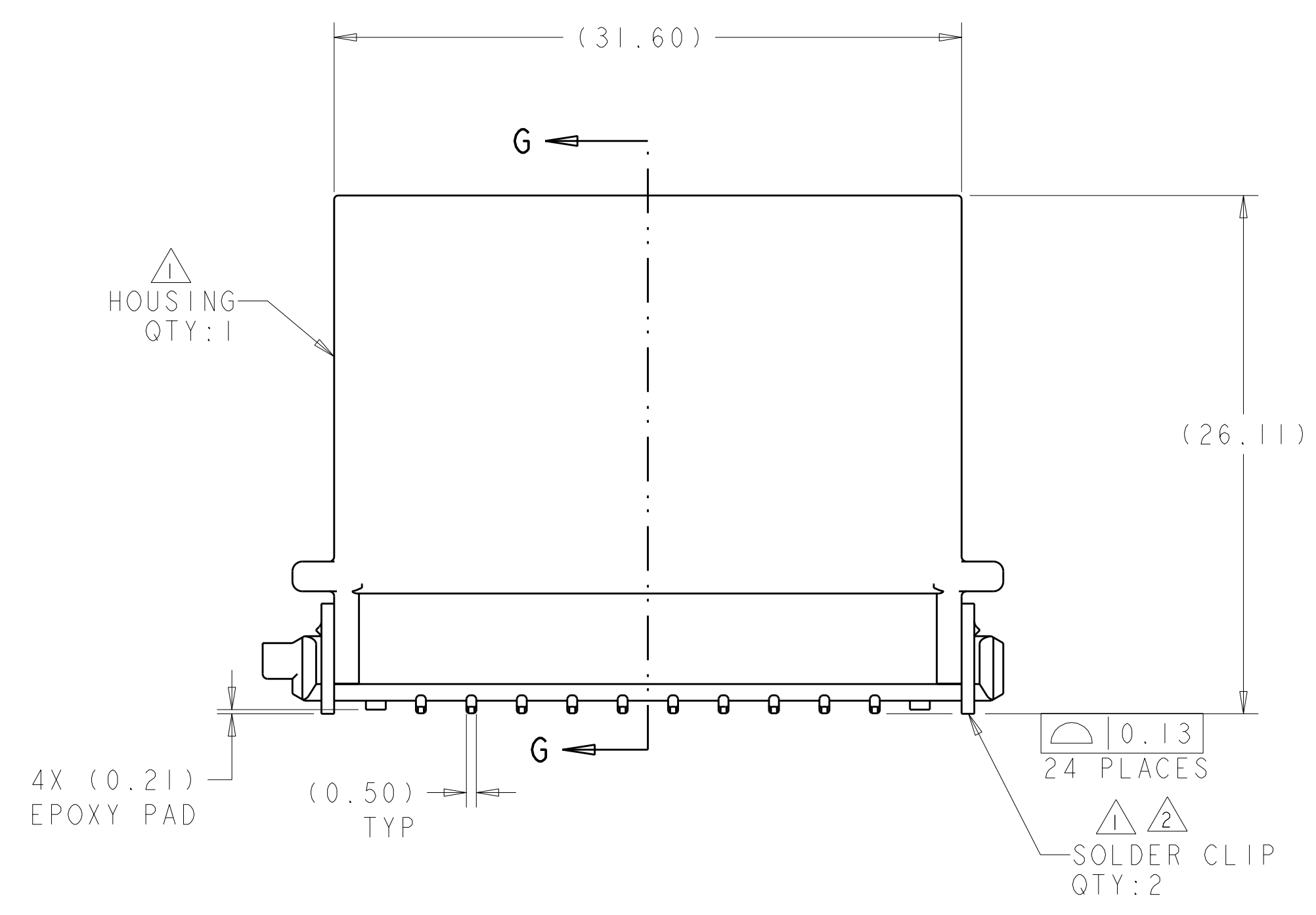


LOC	DIST	REV	DATE	BY	APPD
IN	00	A1	13DEC2010	DLD	CJS



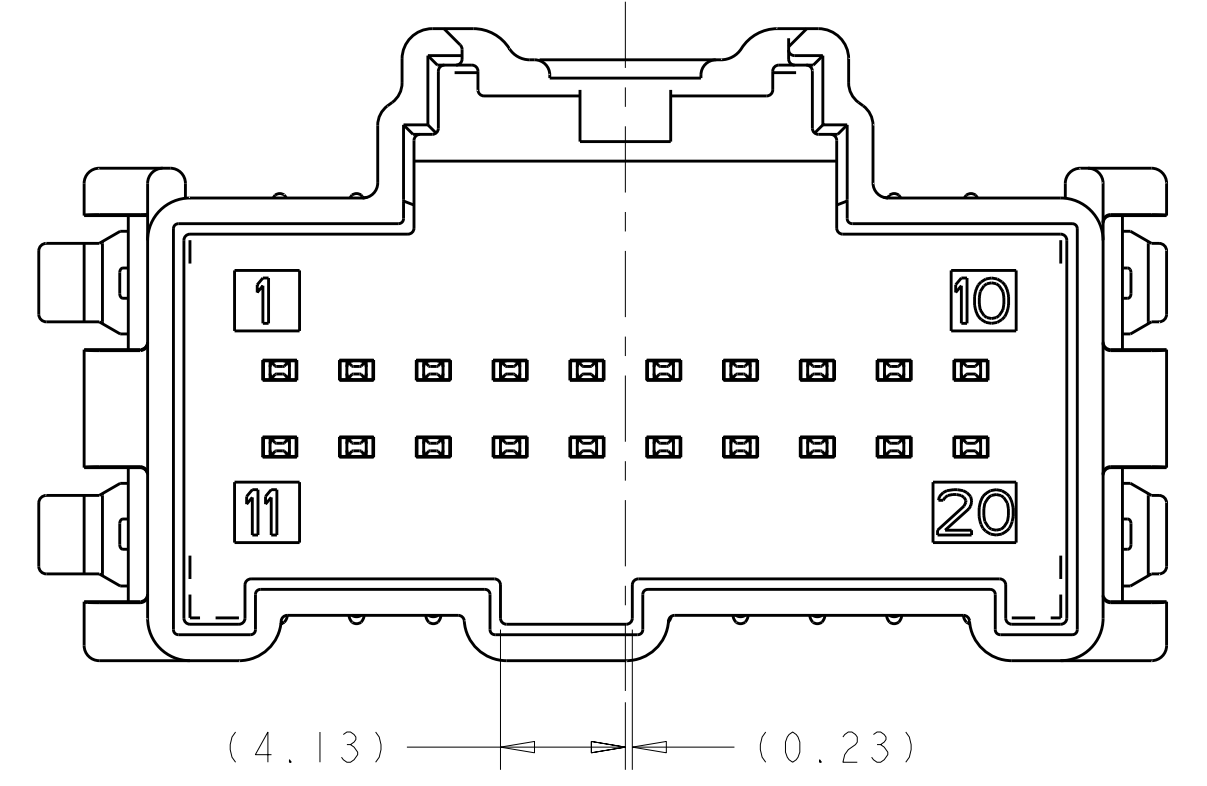
- △ HOUSING: PCT, COLOR - BLACK
- CONTACTS: BRASS
- SOLDER CLIP: BRASS
- △ SOLDER CLIP: 3.8µm MIN TIN OVER 1.27µm MIN NICKEL
- △ CONTACT: 0.8µm MIN TIN IN MATING AREA AND 2.5µm MIN TIN IN SOLDER TAIL ALL OVER 2.00µm MIN NICKEL
- △ DATUMS AND BASIC DIMENSIONS ESTABLISHED BY THE CUSTOMER
- △ ALLOW FOR OVER PRINTING ON PC BOARD
- △ THIS PRODUCT HAS NOT COMPLETED VALIDATION TESTING
- △ PRELIMINARY - NOT FOR PRODUCTION



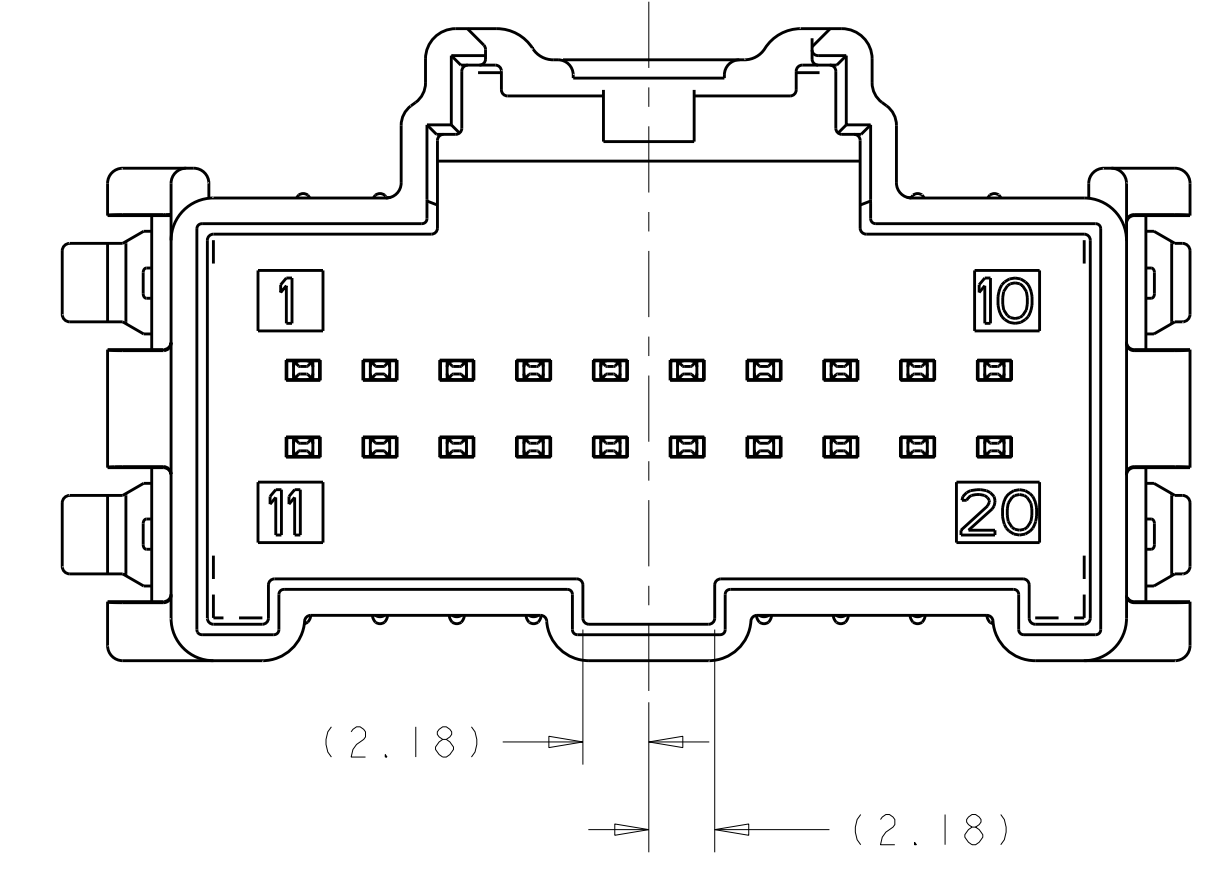
KEYING CODE	PART NUMBER
KEYING CODE "F"	1438981-6
KEYING CODE "E"	1438981-5
KEYING CODE "D"	1438981-4
KEYING CODE "C"	1438981-3
KEYING CODE "B"	1438981-2
KEYING CODE "A"	1438981-1

DIMENSIONS: mm		TOLERANCES UNLESS OTHERWISE SPECIFIED: 9 PLC ± 1 PLC ± 2 PLC ± 3 PLC ± 4 PLC ± ANGLES ±		DWN: MOLL 3FEB2005 CHK: D.FRY 15MAR2005 APVD: D.FRY 15MAR2005		Tyco Electronics Harrisburg, PA 17105-3608	
MATERIAL: △ FINISH: SEE CALL OUTS		WEIGHT: - CUSTOMER DRAWING		NAME: HEADER ASSEMBLY, 2x10, UNSEALED, VERTICAL, SURFACE MOUNT, USCAR		SIZE: A100779 CAGE CODE: C=1438981 DRAWING NO: 1438981-1	
SCALE: 4:1				SHEET: 1 OF 2		REV: A1	

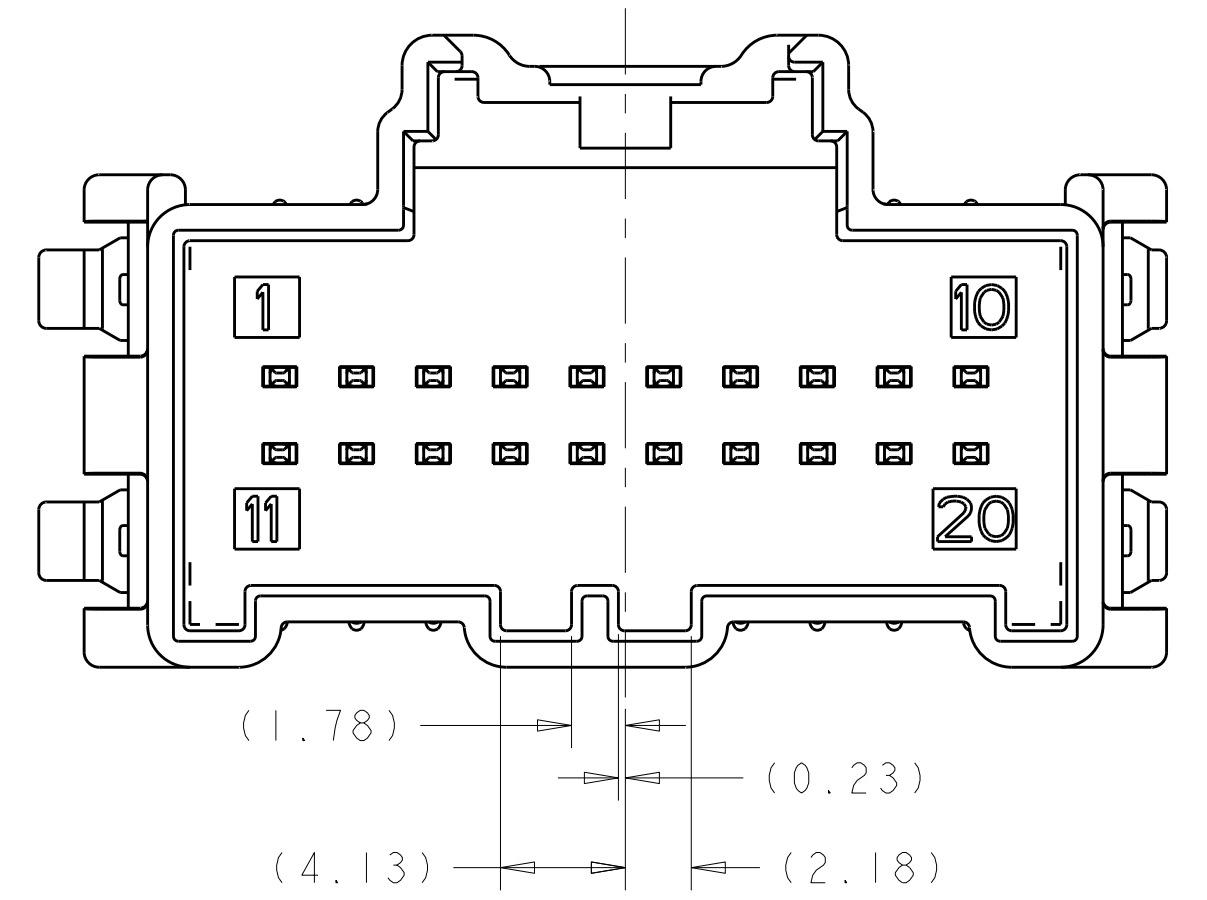
LOC		DIST		REVISIONS			
1	N	00		DESCRIPTION	DATE	DWN	APVD
				SEE SHEET 1			



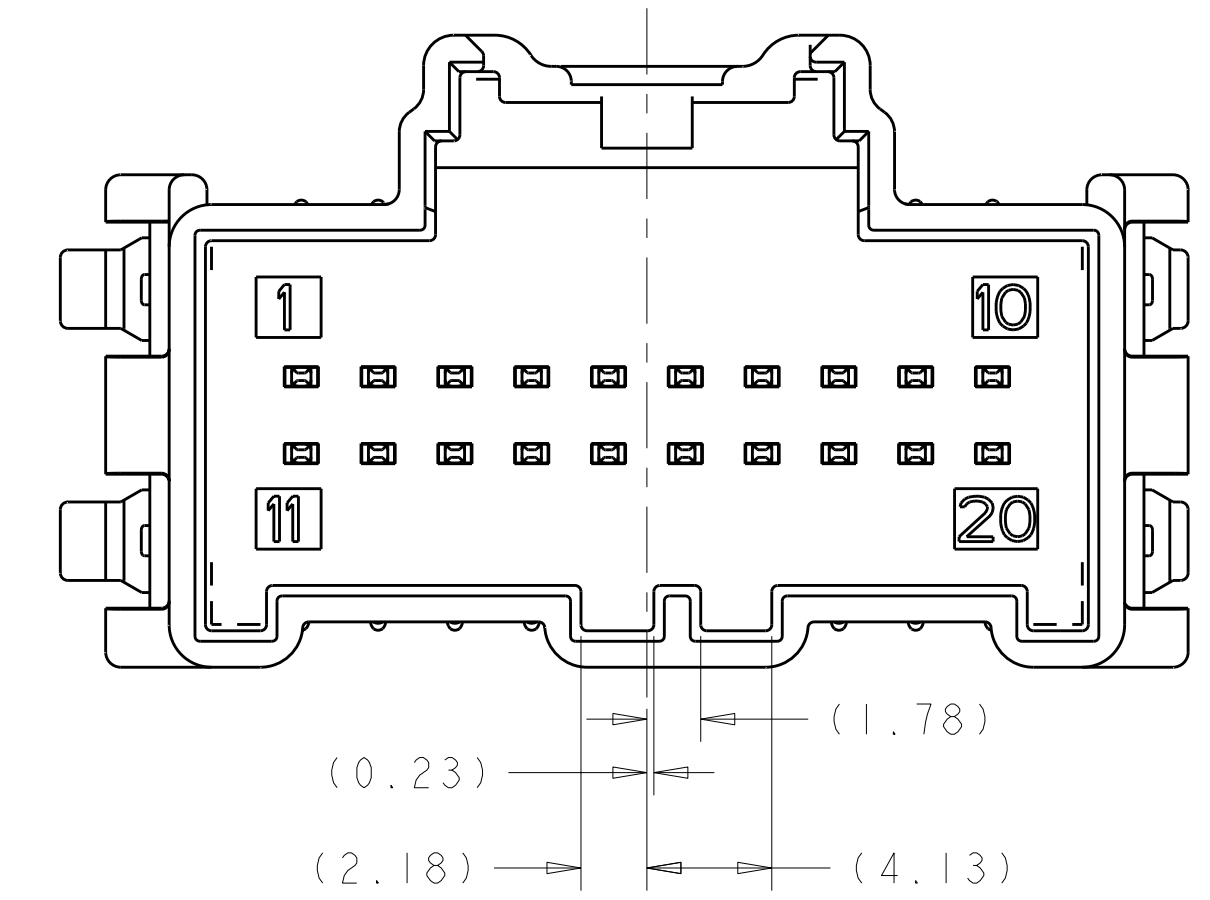
KEYING CODE "A"
SCALE 4:1



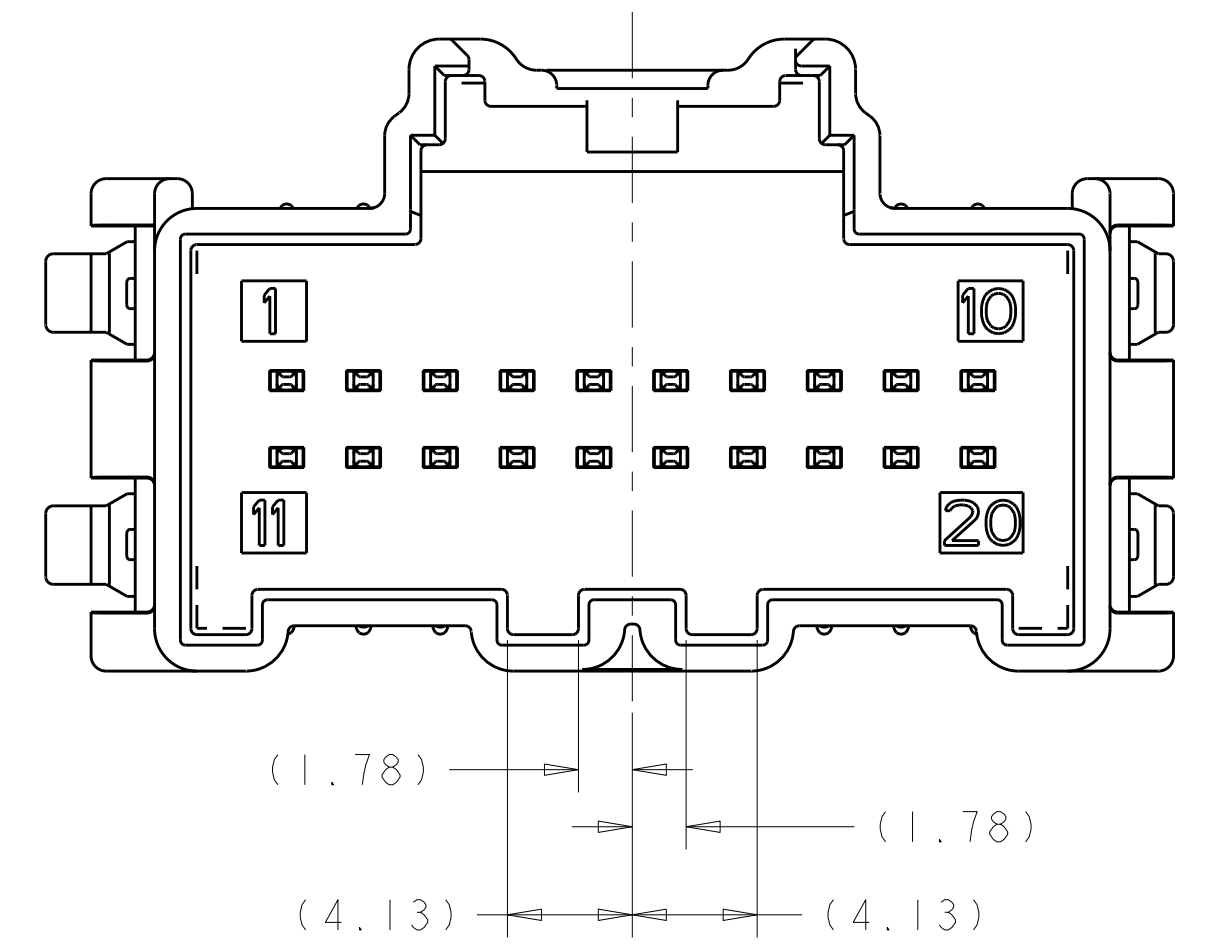
KEYING CODE "B"
SCALE 4:1



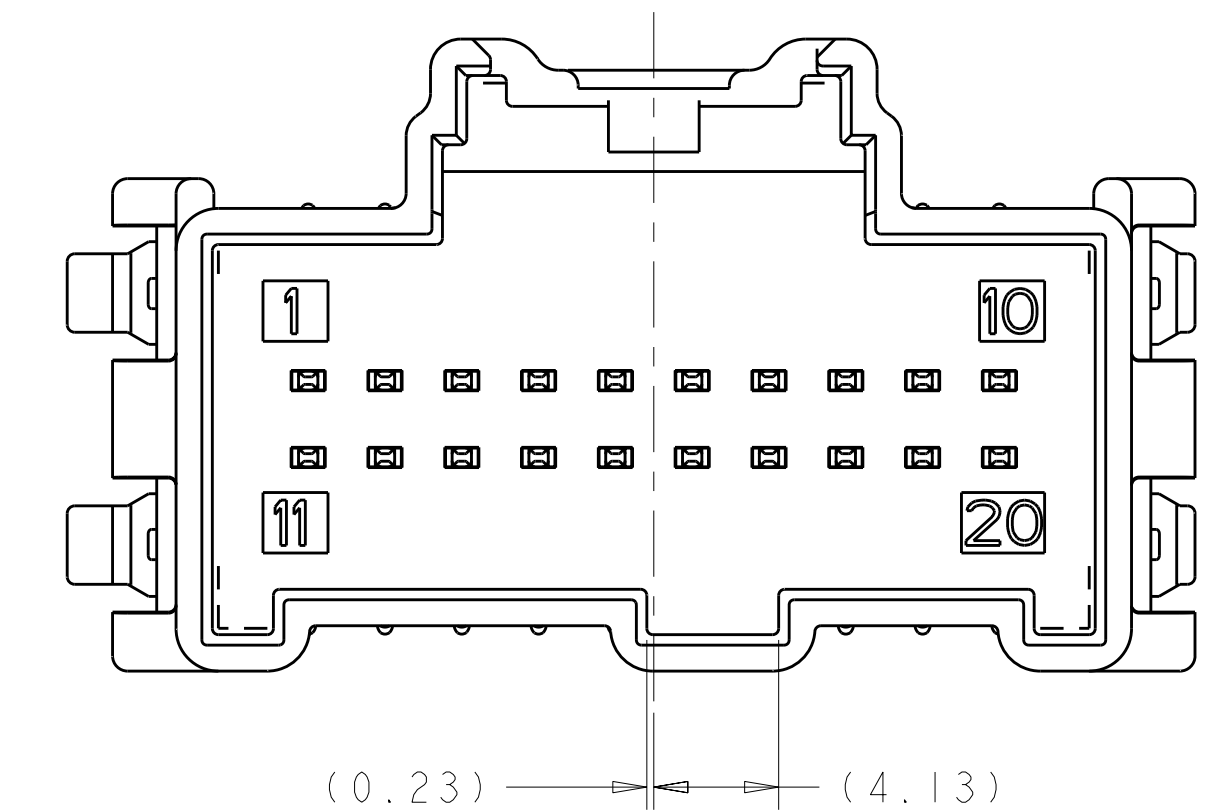
KEYING CODE "C"
SCALE 4:1



KEYING CODE "D"
SCALE 4:1



KEYING CODE "E"
SCALE 4:1



KEYING CODE "F"
SCALE 4:1

<small>THIS DRAWING IS UNPUBLISHED. RELEASED FOR PUBLICATION 20 © COPYRIGHT 20 BY TYCO ELECTRONICS CORPORATION, ALL RIGHTS RESERVED.</small>		DWN H. MOLL 3FEB2005 CHK D. FRY 15MAR2005 APVD D. FRY 15MAR2005	Tyco Electronics Harrisburg, PA 17105-3608
DIMENSIONS: mm 	TOLERANCES UNLESS OTHERWISE SPECIFIED: 0 PLC ± 1 PLC ± 2 PLC ± 3 PLC ± 4 PLC ± ANGLES ± FINISH ±	NAME PRODUCT SPEC APPLICATION SPEC WEIGHT CUSTOMER DRAWING	Tyco Electronics Harrisburg, PA 17105-3608 HEADER ASSEMBLY, 2x10, UNSEALED, VERTICAL, SURFACE MOUNT, USCAR SIZE CAGE CODE DRAWING NO RESTRICTED TO A100779C=1438981 SCALE 4:1 SHEET 2 OF 2 REV A1