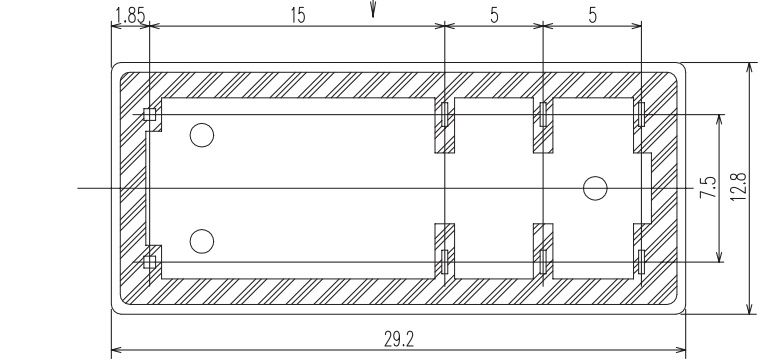
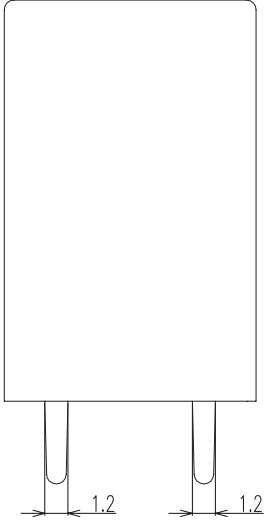
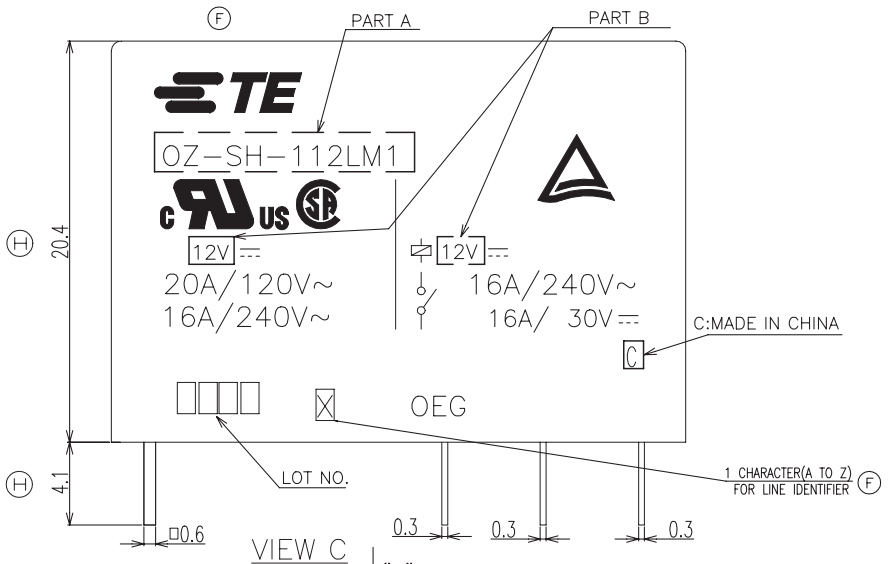
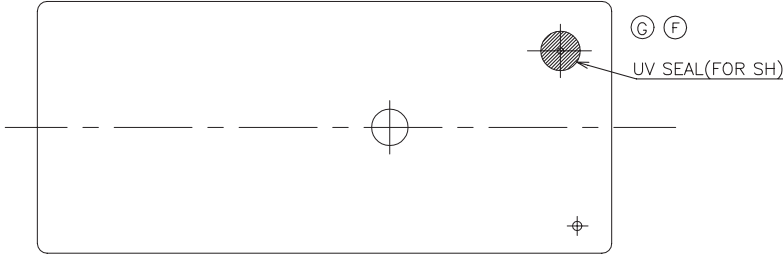
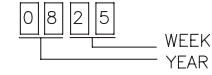


REVISIONS					
P	LTR	DESCRIPTION	DATE	DWN	APVD
	H	DIMENSION CHANGE	ECO-21-004260	10-JUN-21	X.R.L K.T



- NOTES:
1. TERMINAL DIMENSION IS NOT INCLUDING SOLDER TIP.
2. LOT NUMBER SYSTEM AS FOLLOWS:



3. GENERAL TOLERANCE AS FOLLOWS:

TOLERANCE	
0~0.99mm	±0.1
1mm~2.99mm	±0.2
3mm MIN.	±0.3

4. FOR THE TIN-PLATING OF THE PINS:
+0.1mm FOR WIDTH, THICKNESS AND DIAMETER.
+0.5mm FOR LENGTH.

THIS DRAWING IS A CONTROLLED DOCUMENT.		DWN SHIMING.CHEN	TE Connectivity Ltd.		
DIMENSIONS: mm		CHK WAYNE.PENG	-		
TOLERANCES UNLESS OTHERWISE SPECIFIED:		APVD FUNAYAMA.NAOYA	-		
0 PLC ±-		PRODUCT SPEC	-		
1 PLC ±-		APPLICATION SPEC	-		
2 PLC ±-		WEIGHT	-		
3 PLC ±-		SIZE A3	CAGE CODE 00779	DRAWING NO C=1440002-4	RESTRICTED TO
4 PLC ±-		MATERIAL	-		
ANGLES ±-		FINISH	-		
-		CUSTOMER DRAWING		SCALE 4:1	SHEET 1 OF 2

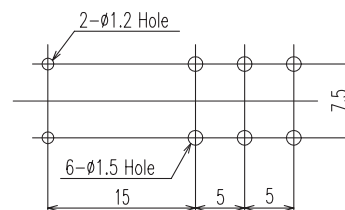
REVISIONS

P	LTR	DESCRIPTION	DATE	DWN	APVD
-	-	SEE SHEET 1	-	-	-

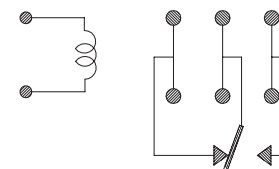
1-1440002-1	OZ-SH-124L	24V	OZ-SH-124L
1440002-9	OZ-SH-124D	24V	OZ-SH-124D
1461252-1	OZ-SH-148L	48V	OZ-SH-148L
1440002-6	OZ-SH-112D	12V	OZ-SH-112D
1440002-4	OZ-SH-105D	5V	OZ-SH-105D
1461354-1	OZ-SS-118D	18V	OZ-SS-118D
3-1440002-1	OZ-SS-148L	48V	OZ-SS-148L
2-1440002-8	OZ-SS-124L	24V	OZ-SS-124L
2-1440002-5	OZ-SS-124D	24V	OZ-SS-124D
2-1440002-3	OZ-SS-112L	12V	OZ-SS-112L
2-1440002-1	OZ-SS-112D	12V	OZ-SS-112D
1-1440002-9	OZ-SS-109L	9V	OZ-SS-109L
1-1440002-8	OZ-SS-109D	9V	OZ-SS-109D
1-1440002-6	OZ-SS-106L	6V	OZ-SS-106L
1-1440002-4	OZ-SS-106D	6V	OZ-SS-106D
1-1440002-3	OZ-SS-105L	5V	OZ-SS-105L
1-1440002-2	OZ-SS-105D	5V	OZ-SS-105D
1461717-1	OZ-SH-112L	12V	OZ-SH-112L
1-1461250-8	OZ-SH-148L	48V	OZ-SH-148L
1-1461250-6	OZ-SH-148D	48V	OZ-SH-148D
1-1461250-2	OZ-SH-109L	9V	OZ-SH-109L
1-1461250-0	OZ-SH-109D	9V	OZ-SH-109D
0-1461250-8	OZ-SH-106L	6V	OZ-SH-106L
0-1461250-6	OZ-SH-106D	6V	OZ-SH-106D
0-1461250-5	OZ-SH-105L	5V	OZ-SH-105L
0-1461250-3	OZ-SH-105D	5V	OZ-SH-105D
0-1461250-2	OZ-SH-124L	24V	OZ-SH-124L
0-1461250-1	OZ-SH-112D	12V	OZ-SH-112D
0-1440002-7	OZ-SH-112L	12V	OZ-SH-112L
PART NO	EC TYPE NAME	PART B	PART A

RELAY TYPE

CIRCUIT DIAGRAM(2/1)
(BOTTOM VIEW)



DRILLING DIAGRAM
(BOTTOM VIEW)



THIS DRAWING IS A CONTROLLED DOCUMENT.		DWN SHIMING.CHEN	TE Connectivity Ltd.		
DIMENSIONS: mm		CHK WAYNE.PENG	NAME -		
		APVD FUNAYAMA.NAOYA	PRODUCT SPEC -		
TOLERANCES UNLESS OTHERWISE SPECIFIED: 0 PLC ±- 1 PLC ±- 2 PLC ±- 3 PLC ±- 4 PLC ±- ANGLES ±-		APPLICATION SPEC -	SIZE A3	CAGE CODE 00779	DRAWING NO C=1440002-4
MATERIAL -		FINISH -	WEIGHT -	RESTRICTED TO -	SCALE 4:1
CUSTOMER DRAWING			SHEET 2 of 2	REV H	