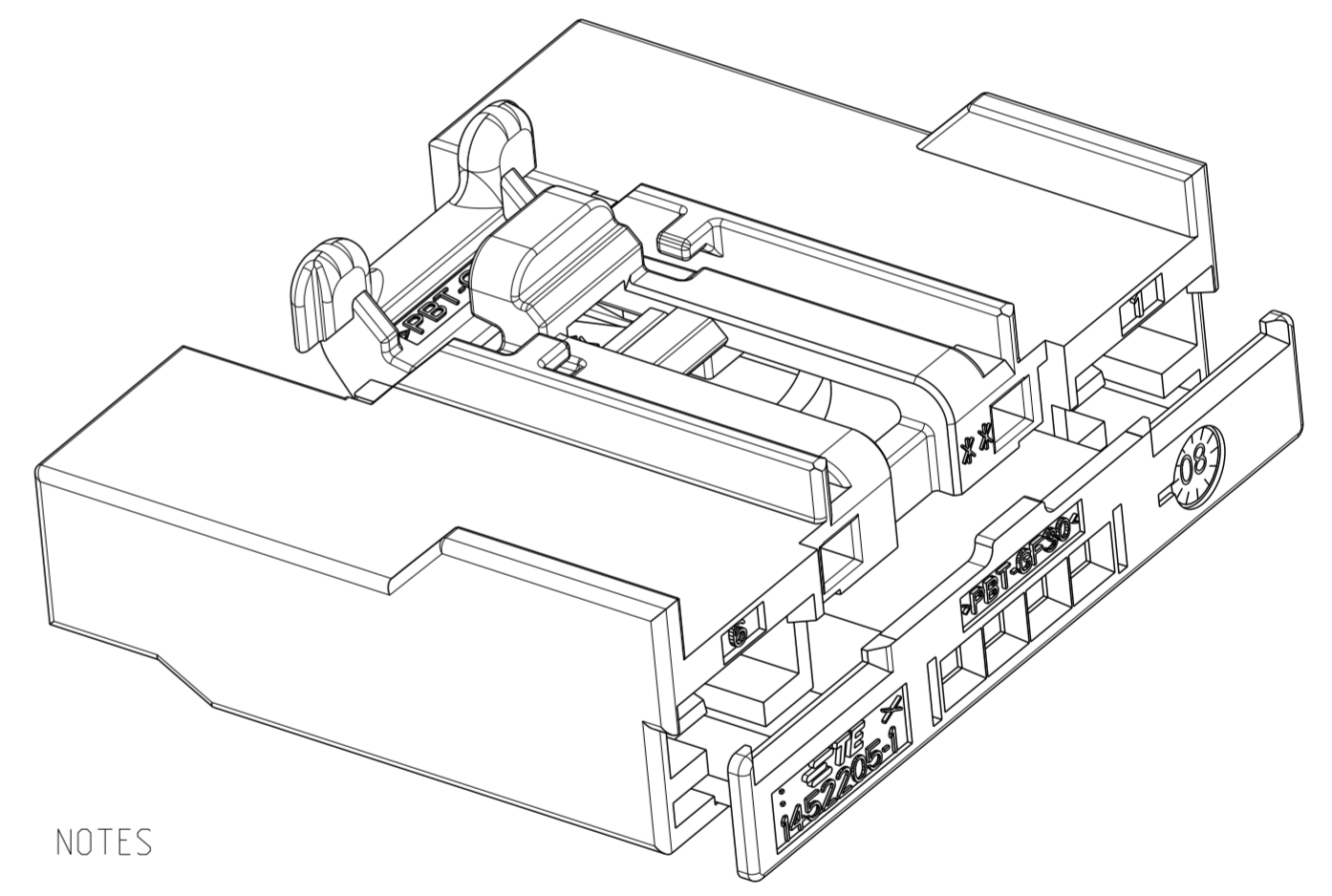
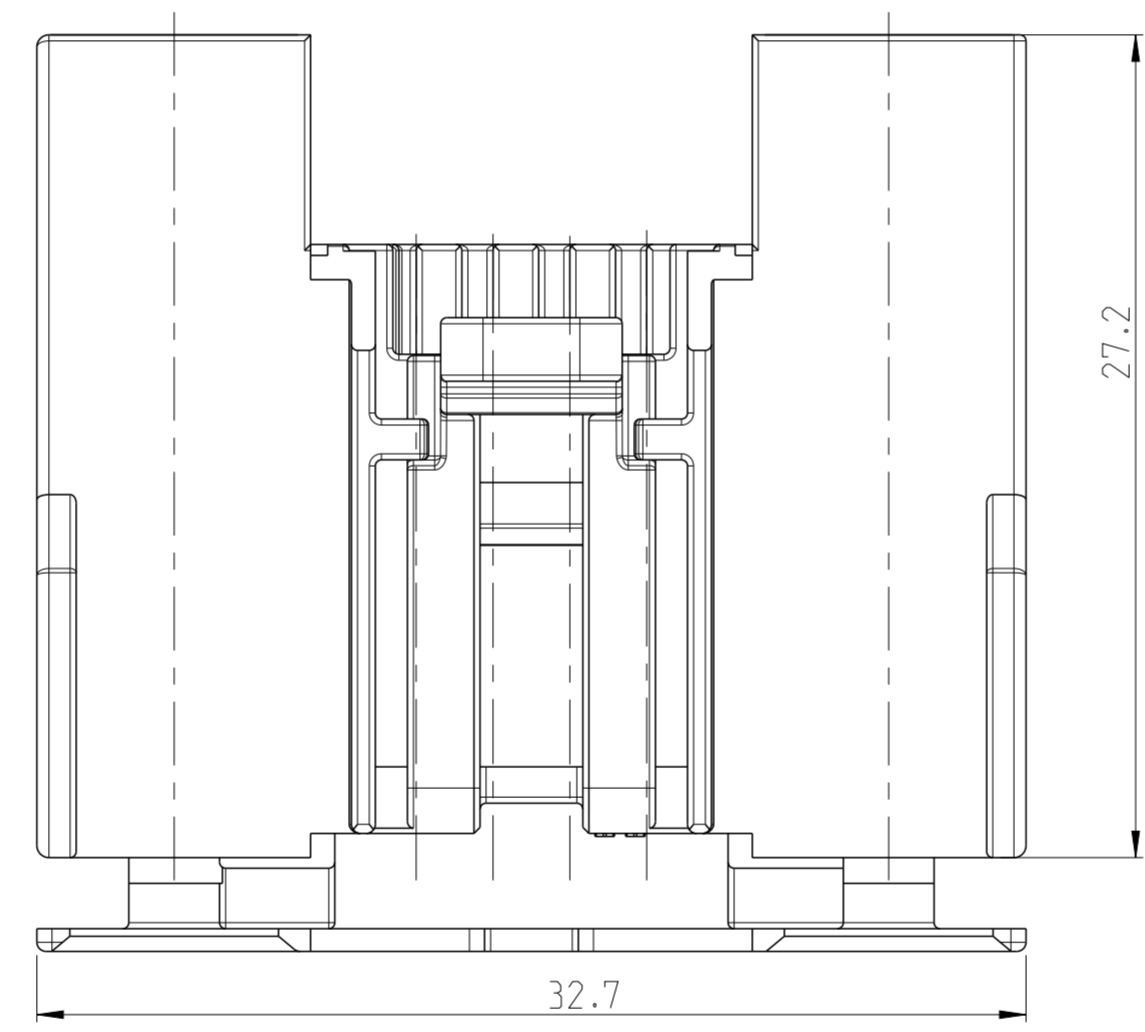
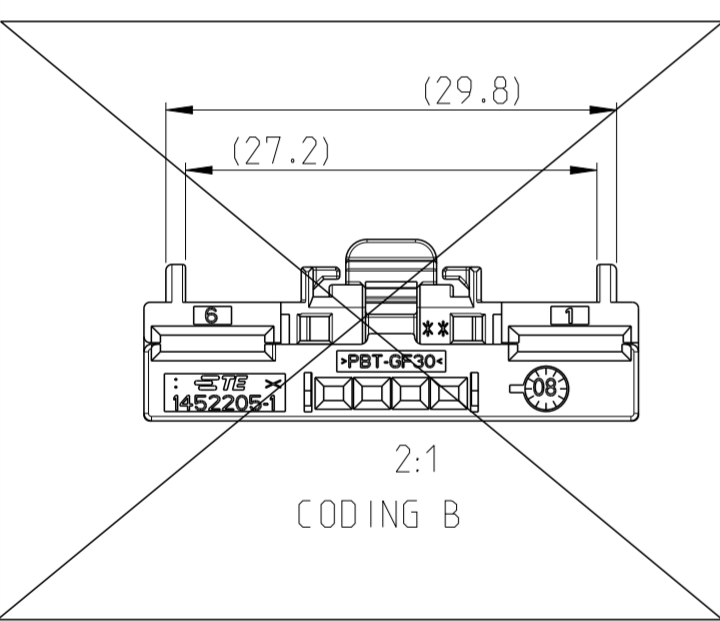
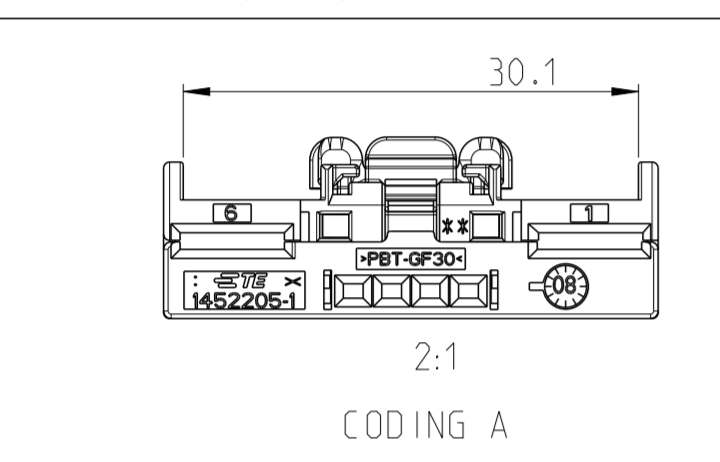
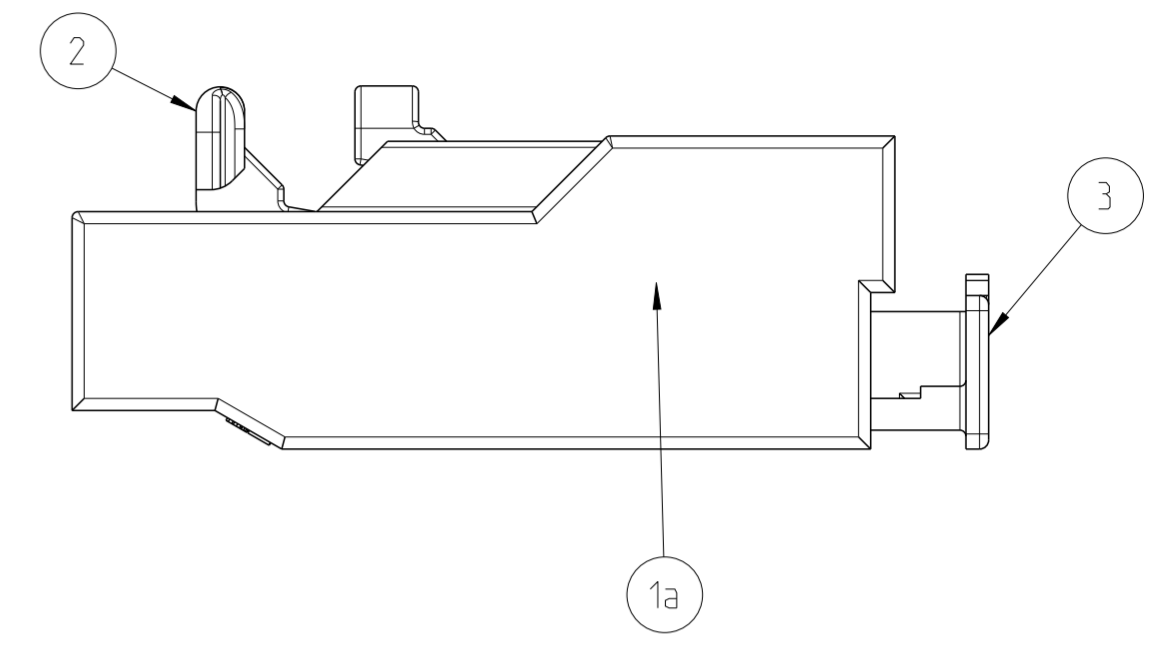
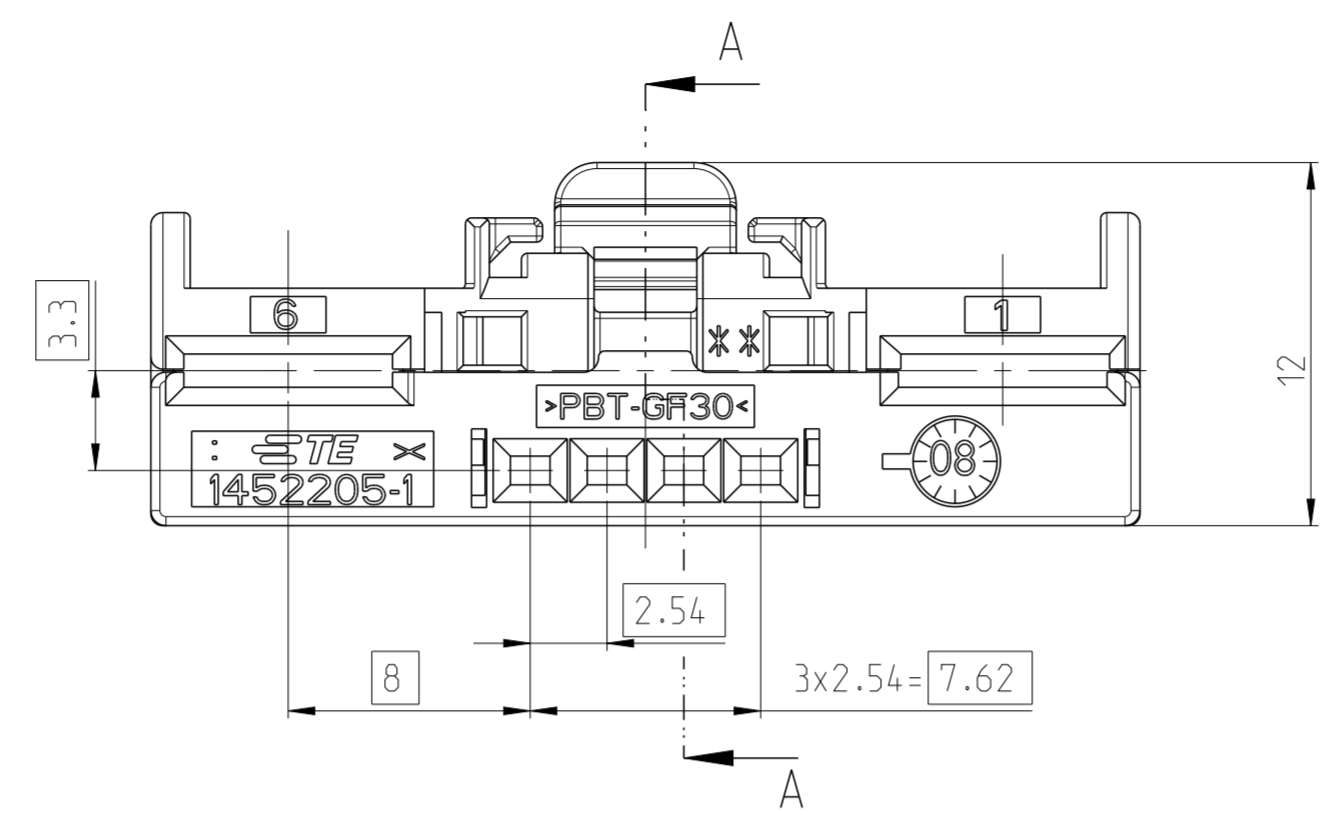
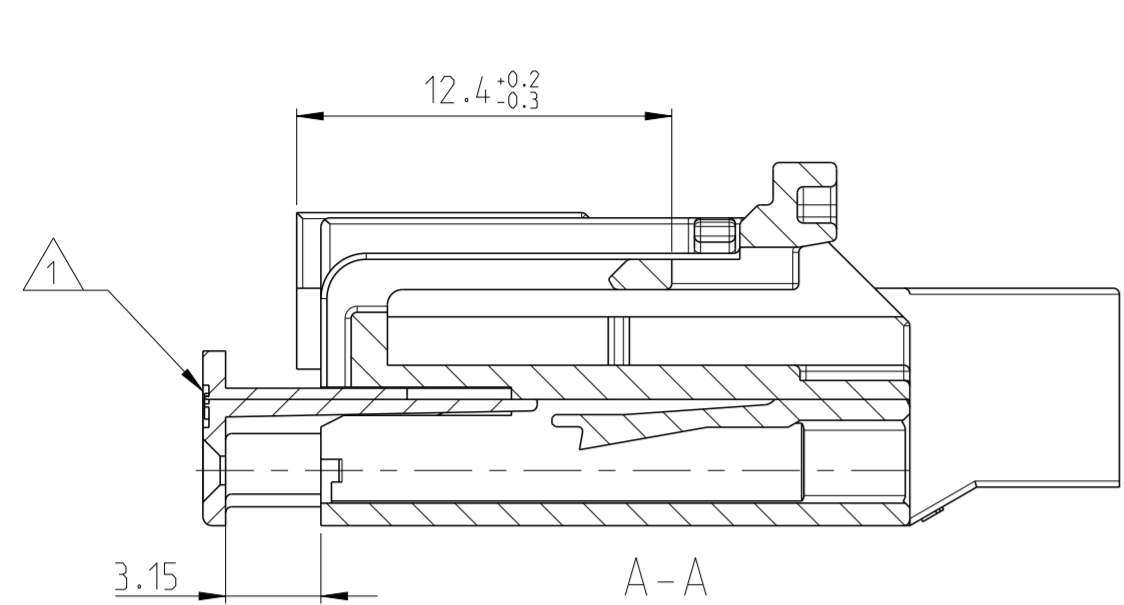


© 2019 TE Connectivity. All Rights Reserved.

REVISIONS					
P	LTR	DESCRIPTION	DATE	DWN	APVD
D2		REVISED PER ECO-11-005150	30MAR2011	RK	HMR
D3		ACTIVATION OF PN 1-1452203-1	17JUN2019	RS	PT



NOTES

- 1 SPACER IN PRE-ASSEMBLED POSITION
- 2 INTERFACE SPECIFICATION, SEE DRAWING 114-18469
- 3 PACKING: CONNECTOR ASSEMBLIES BULK PACKED INTO CORRUGATED BOXES WITH PLASTIC BAG
- D3 4 ONLY FOR BRAZIL

ORDER NUMBER	CODING OPTIONS				QTY	ITEM	DESCRIPTION	MATERIAL	COLOR
	A		B						
	1452203-1	1	1	1					
1-1452203-1	1	-	1	1	2	CPA	PBT-GF20	RED	
	-	1	1	1	1b	SOCKET HOUSING COD. B	PA66-GF35	BLACK	
	1	-	-	-	1a	SOCKET HOUSING COD. A	PA66-GF35	BLACK	

THIS DRAWING IS A CONTROLLED DOCUMENT.

DWN: M. DAUBER 10JUL2001

CHK: -

APVD: -

PRODUCT SPEC: -

APPLICATION SPEC: -

WEIGHT: -

CUSTOMER DRAWING

SCALE: 4:1

SHEET: 1 OF 1

REV: D3

NAME: 6 POS. HYBRID CONNECTOR; 4 X GET TERMINAL AND 2 X 6.3 YAZAKI TERMINAL

SIZE: A2

CAGE CODE: 00779

DRAWING NO: C-1452203

RESTRICTED TO: -