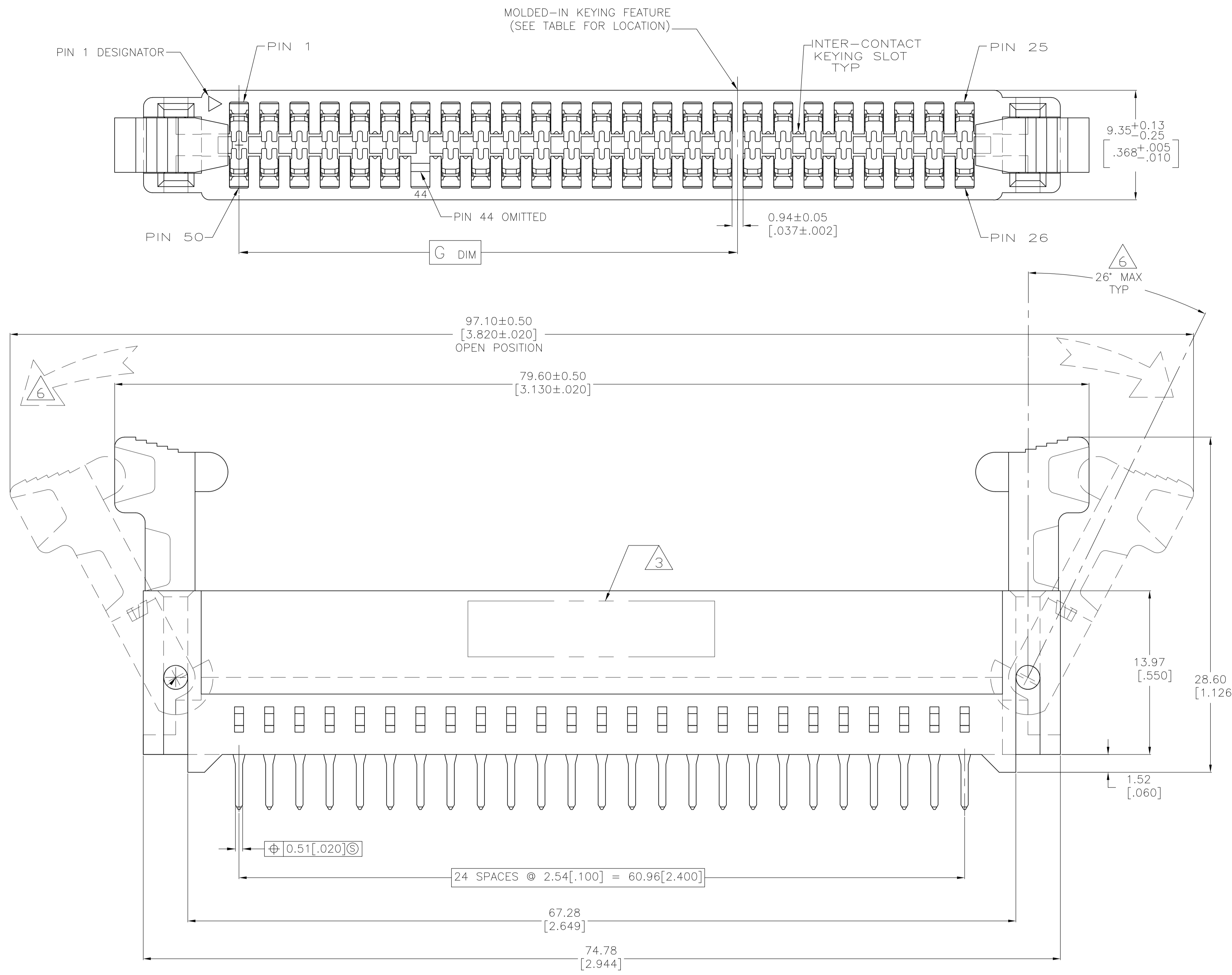
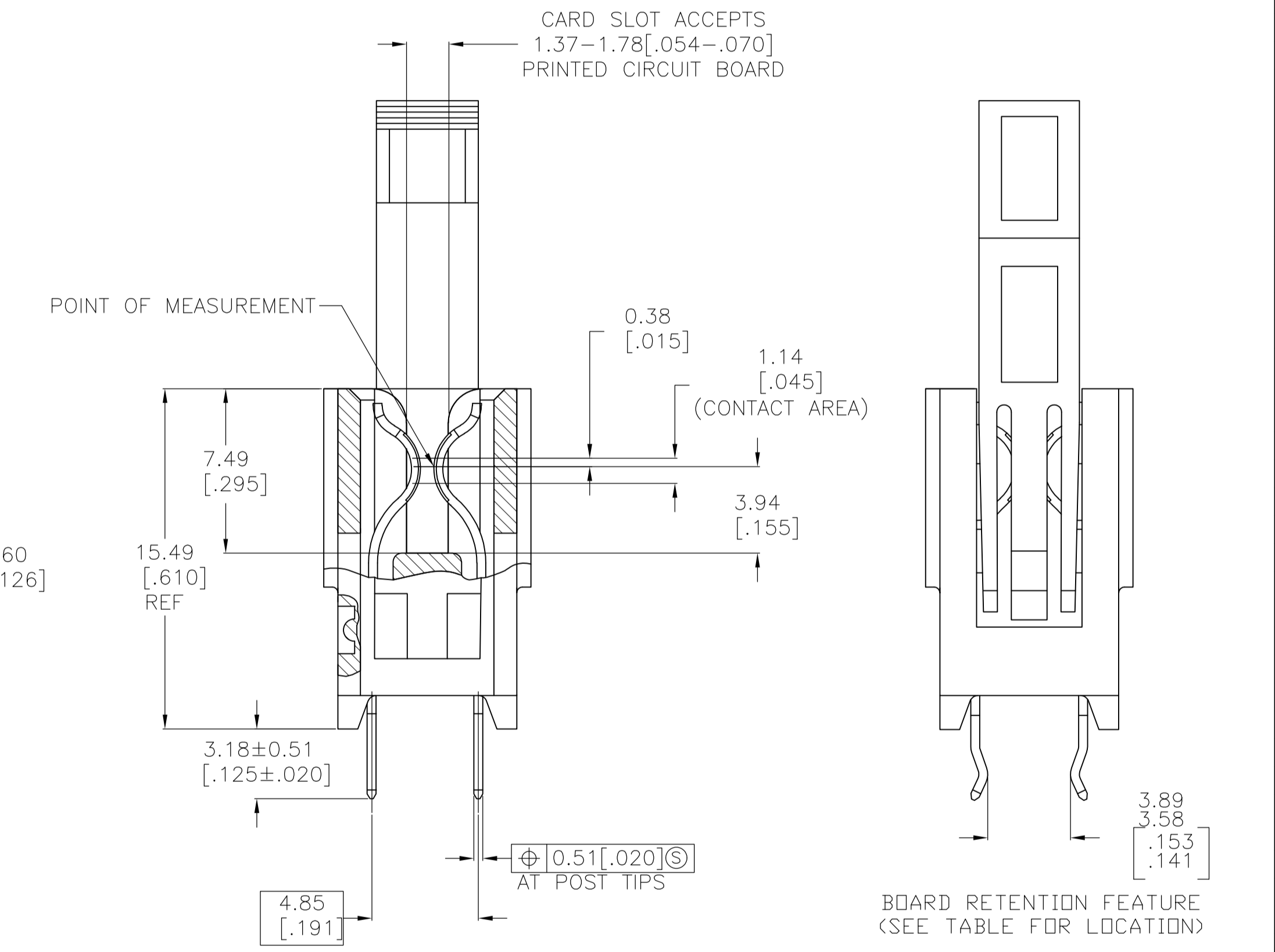


LOC		DIST		REVISIONS			
P	LTR	DESCRIPTION	DATE	DMN	APVD		
P		ECO-07-026535	06MAR2008	LAM	AWF		



- MATERIAL:
HOUSING: GLASS FILLED POLYESTER, COLOR: BLACK.
CONTACT: PHOSPHOR BRONZE
LATCH: GLASS FILLED POLYESTER, COLOR: BLACK
- FINISH:
0.00076[.000030] MIN GOLD PLATE IN CONTACT AREA,
0.00254[.000100] MIN TIN-LEAD ON SOLDER POSTS, ALL
OVER 0.00127[.000050] MIN NICKEL
- AMP LOGO, TE PART NUMBER, DATE CODE AND CSA LOGO INK STAMPED WHITE (HOT STAMPED OR LAZER PRINTED) IN THE APPROXIMATE AREA SHOWN, EITHER SIDE PERMISSABLE, WHEN HOUSING SIZE PERMITS
- DATUMS AND BASIC DIMENSIONS ESTABLISHED BY CUSTOMER
- CONNECTORS SHOWN ARE USED IN APPLICATIONS WITH VRM MODULES WEIGHING 3 OUNCES OR LESS. ALTERNATE CONNECTOR AND LATCH METHOD IS AVAILABLE FOR VRM MODULES WEIGHING UP TO 6 OUNCES.
- CAUTION: LATCHES ARE INTENDED FOR RETENTION OF PC BOARD TO CONNECTOR, DO NOT ATTEMPT TO FULLY EJECT PC BOARD FROM CONNECTOR WHILE DISENGAGING LATCHES. DAMAGE TO LATCHES AND OR CONNECTOR MAY OCCUR



OBSELETE	9-145432-0
OBSELETE	145432-7
OBSELETE	145432-6
OBSELETE	145432-5
OBSELETE	145432-4
OBSELETE	145432-3

PART NUMBER

21 & 22	11.25 [.443]	54.43 [2.143]	52.07 [2.050]	2,3,23,24, 27,28,48,49	25	145432-8
17 & 18	21.41 [.843]	44.27 [1.743]	41.91 [1.650]	2,3,23,24, 27,28,48,49	25	145432-2
MOLDED-IN KEYING FEATURE LOCATED BETWEEN PINS	P	N	G	RETENTION FEATURE LOCATION	NO OF DUAL POSN	PART NUMBER

THIS DRAWING IS A CONTROLLED DOCUMENT.

AWF/L.A.MAYER
A.W.FRANTUM
S.FLICKINGER

Tyco Electronics Corporation
Harrisburg, PA 17105-3608

CONNECTOR ASSEMBLY,
STANDARD EDGE II, DUAL POSITION,
2.54[.100] CENTERLINE

108-9039

114-13018

SIZE: A1 CAGE CODE: 00779 DRAWING NO: 145432

RESTRICTED TO: P

CUSTOMER DRAWING SCALE: 5:1 SHEET: 1 OF 2 REV: P

