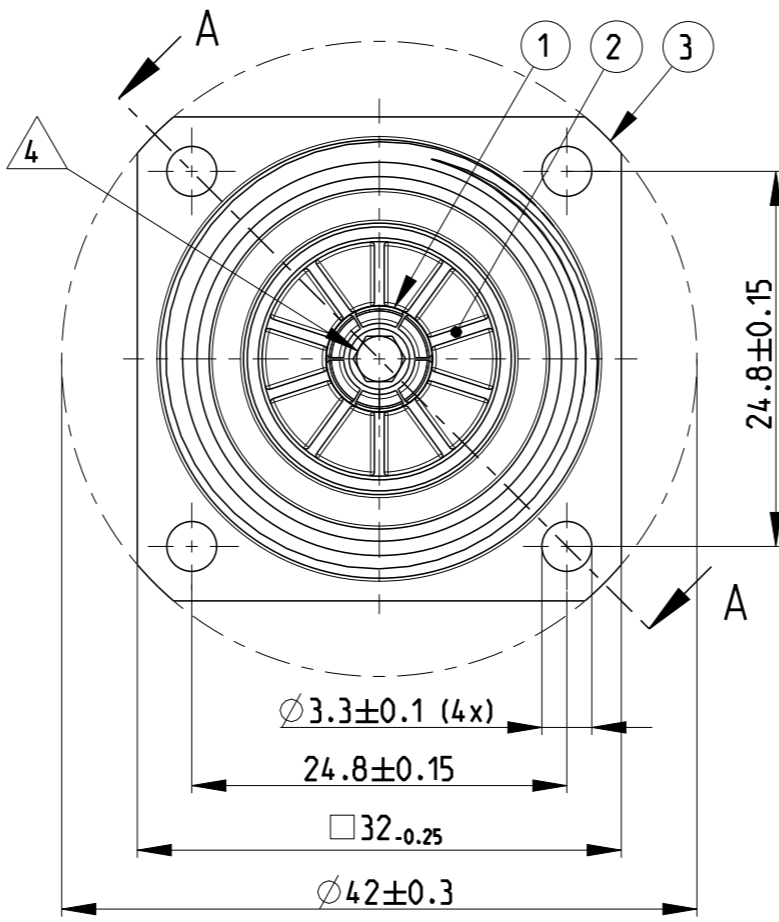
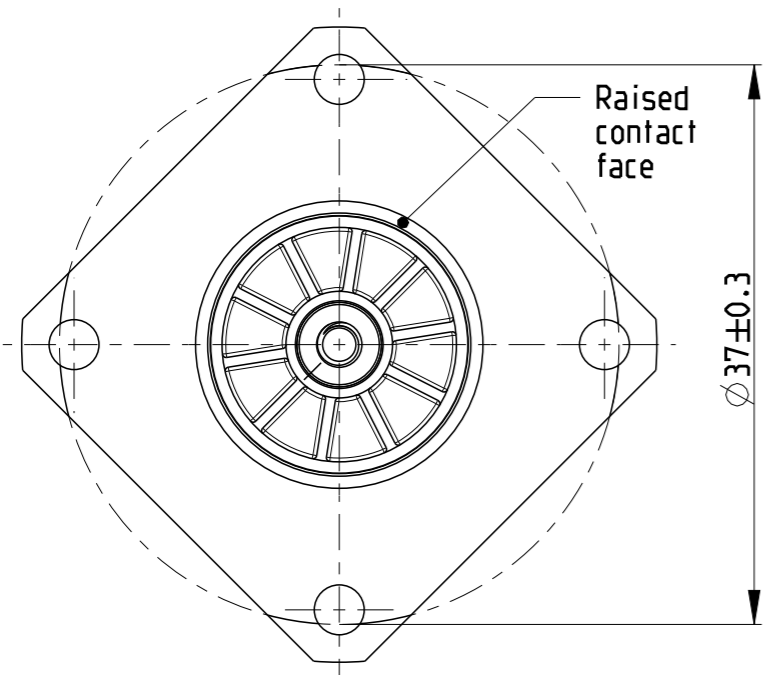


LOC IS

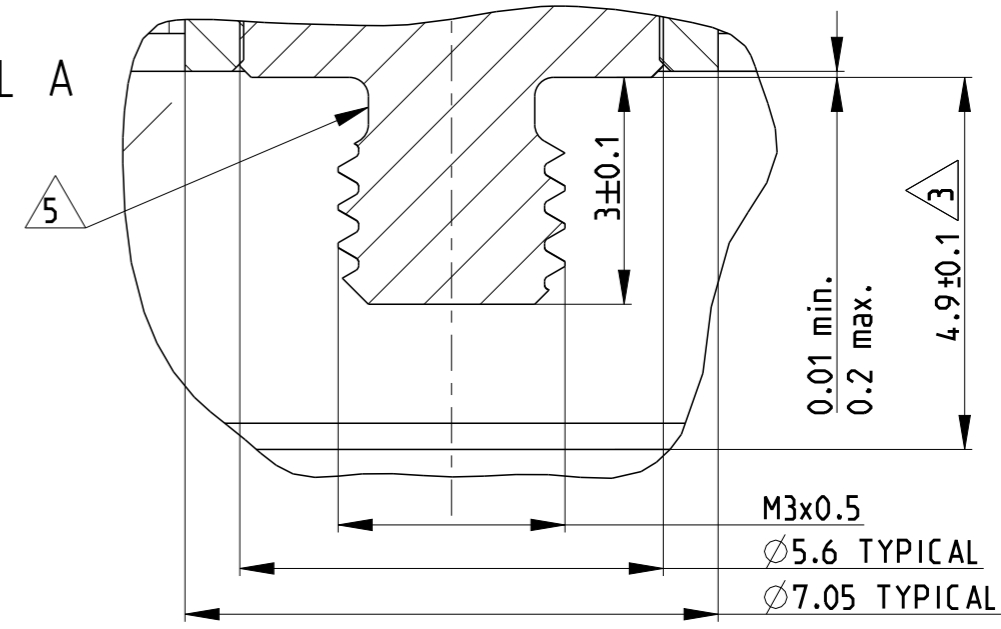
DIST -

REVISIONS

P	LTR	DESCRIPTION	DATE	DWN	APVD
E		First Issue	28Jul2006	MG	DB
F		Added PTFE Dielectric	30AUG2011	MS	MG

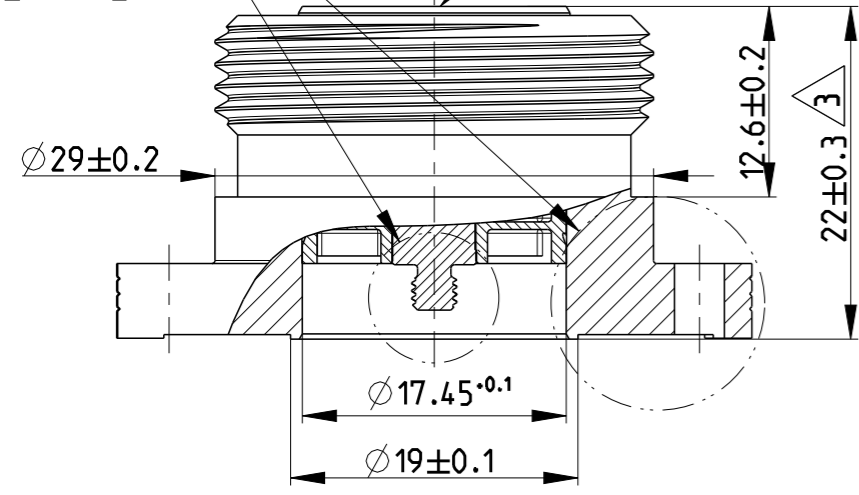


DETAIL A 10:1

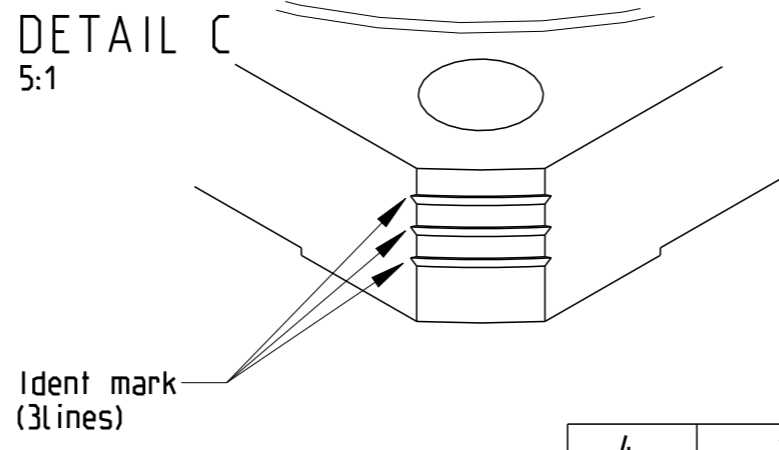


DETAIL B

A-A (Partial)

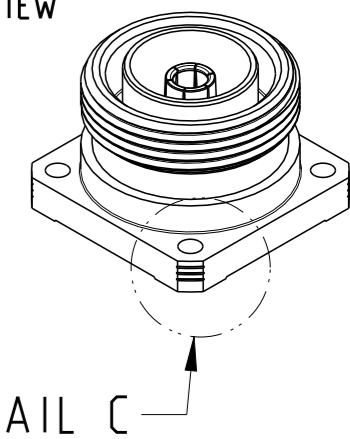


DETAIL C 5:1

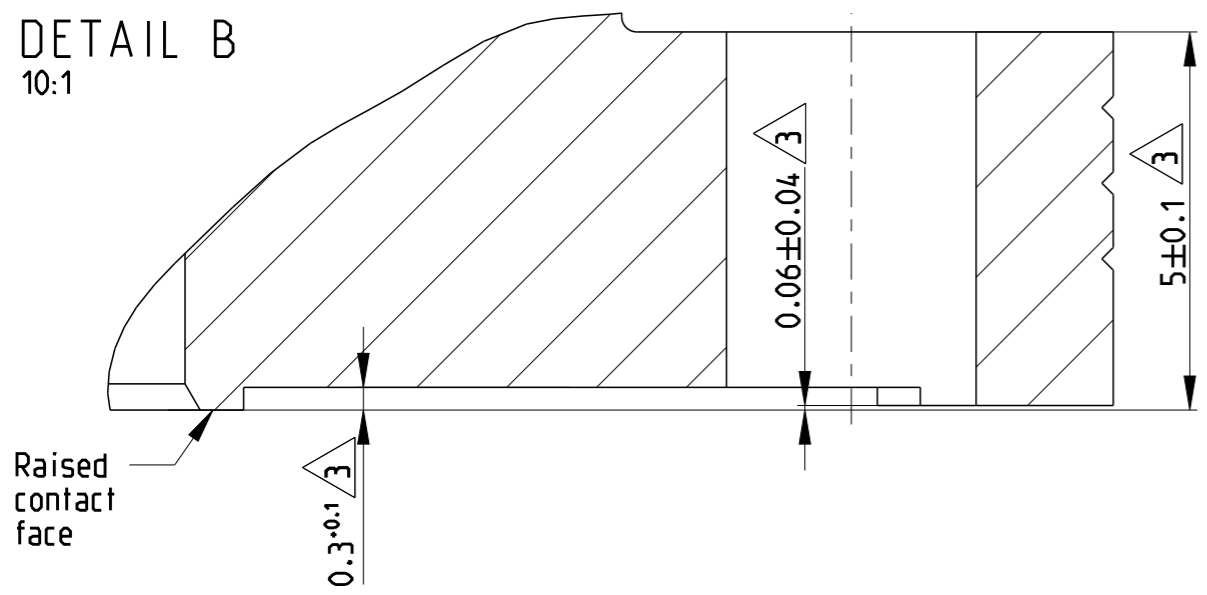


- 1) Interface according to IEC 169-4.
- 2) Item nr. 4 not visible in drawing.
- 3) Dimension to raised contact face.
- 4) Inner profile for 3mm HEX key.
- 5) Layout in accordance with DIN 76.
- 6) Radial orientation of item nr. 2 not important
- 7) POM Dielectric is shown

3D VIEW 1:1



DETAIL B 10:1



ITEM NR	1460052-1	1460052-2	DESCRIPTION	MATERIAL	PLATING
4	1	1	DUST CAP	PP / VINYL / PBT	NONE
3	1	1	BODY	BRASS	2-4 μ m White Bronze
2	1	-	DIELECTRIC	PTFE	NONE
2	-	1	DIELECTRIC	POM	NONE
1	1	1	CENTER CONDUCTOR	BeCu or equivalent	min. 4 μ m Ag

THIS DRAWING IS A CONTROLLED DOCUMENT.

DIMENSIONS:	TOLERANCES UNLESS OTHERWISE SPECIFIED:
mm	
0 PLC	±
1 PLC	±
2 PLC	±
3 PLC	±
4 PLC	±
ANGLES	±1°
FINISH	see table
MATERIAL	see table

DWN	F. Hellin	19 JUL 2001
CHK	F. Hellin	19 JUL 2001
APVD	R. Leeman	20 JUL 2001
PRODUCT SPEC	108-90020	
APPLICATION SPEC		
WEIGHT	±75g	

STE TE Connectivity

NAME: 7/16 Panel Socket

SIZE: A3 CAGE CODE: 00779 DRAWING NO: C-1460052

RESTRICTED TO: -

SCALE: 2:1 SHEET: 1 OF 1 REV: F