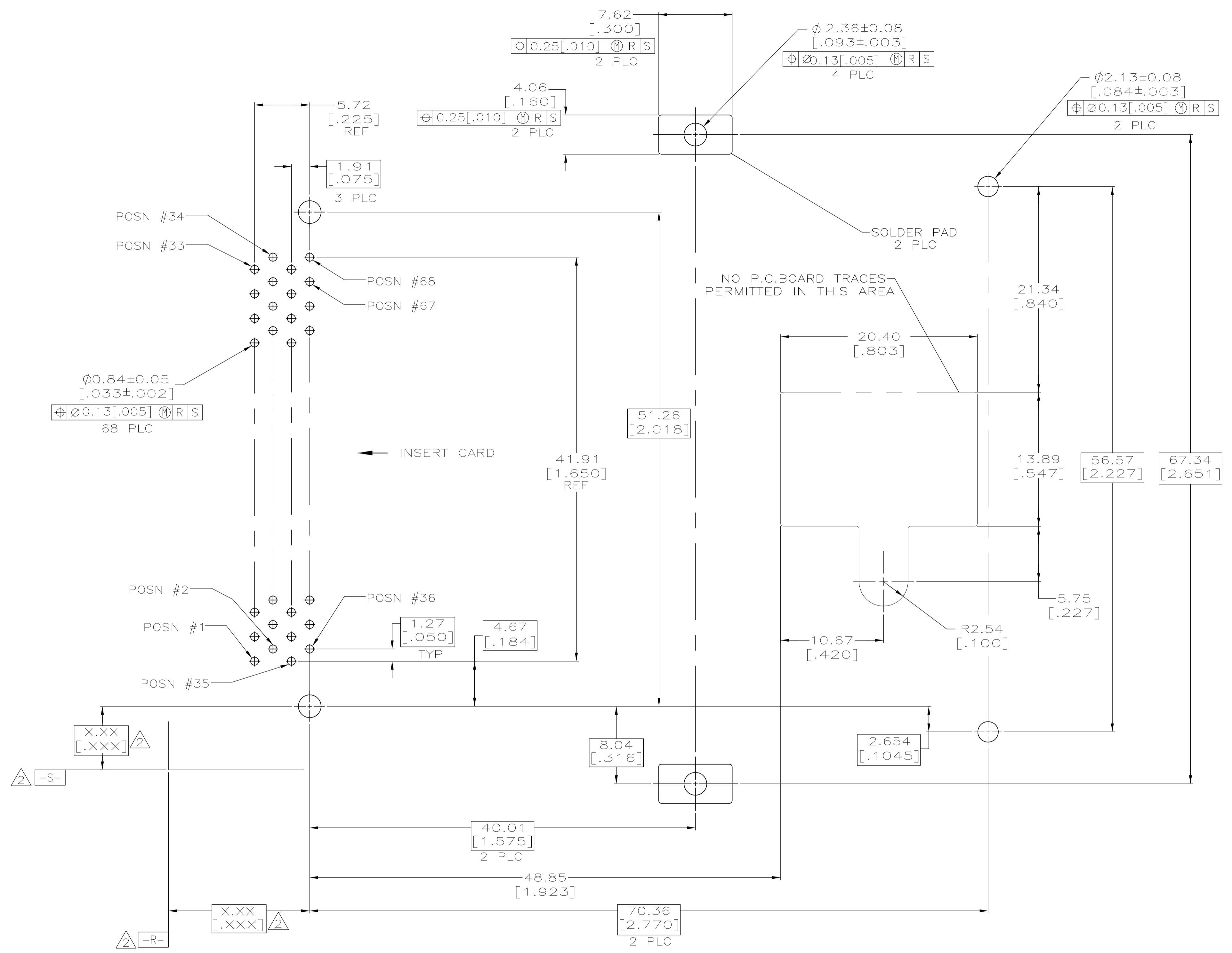


YES	1,17,34 35,51,68	ALL OTHER PINS	36,67	1-146023-1
NO	1,17,34 35,51,68	ALL OTHER PINS	36,67	146023-1
HEADER HOLD DOWN	5.0 [.197]	4.25 [.167]	3.5 [.138]	

"L" (PIN LENGTH) AND LOCATION

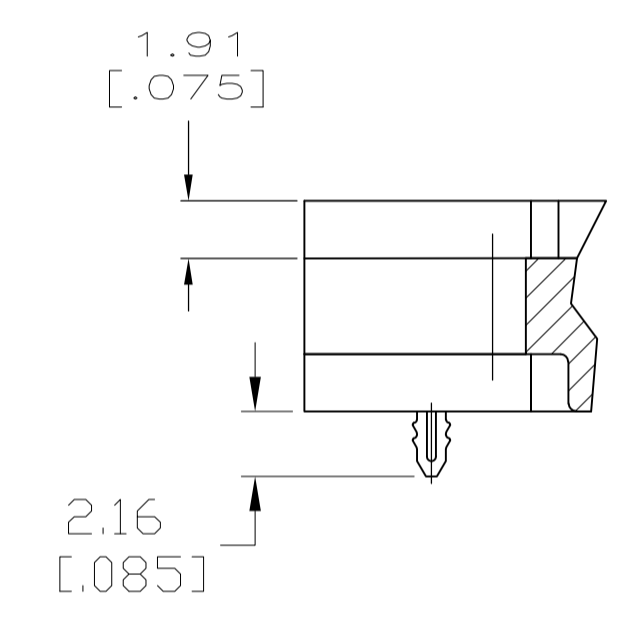
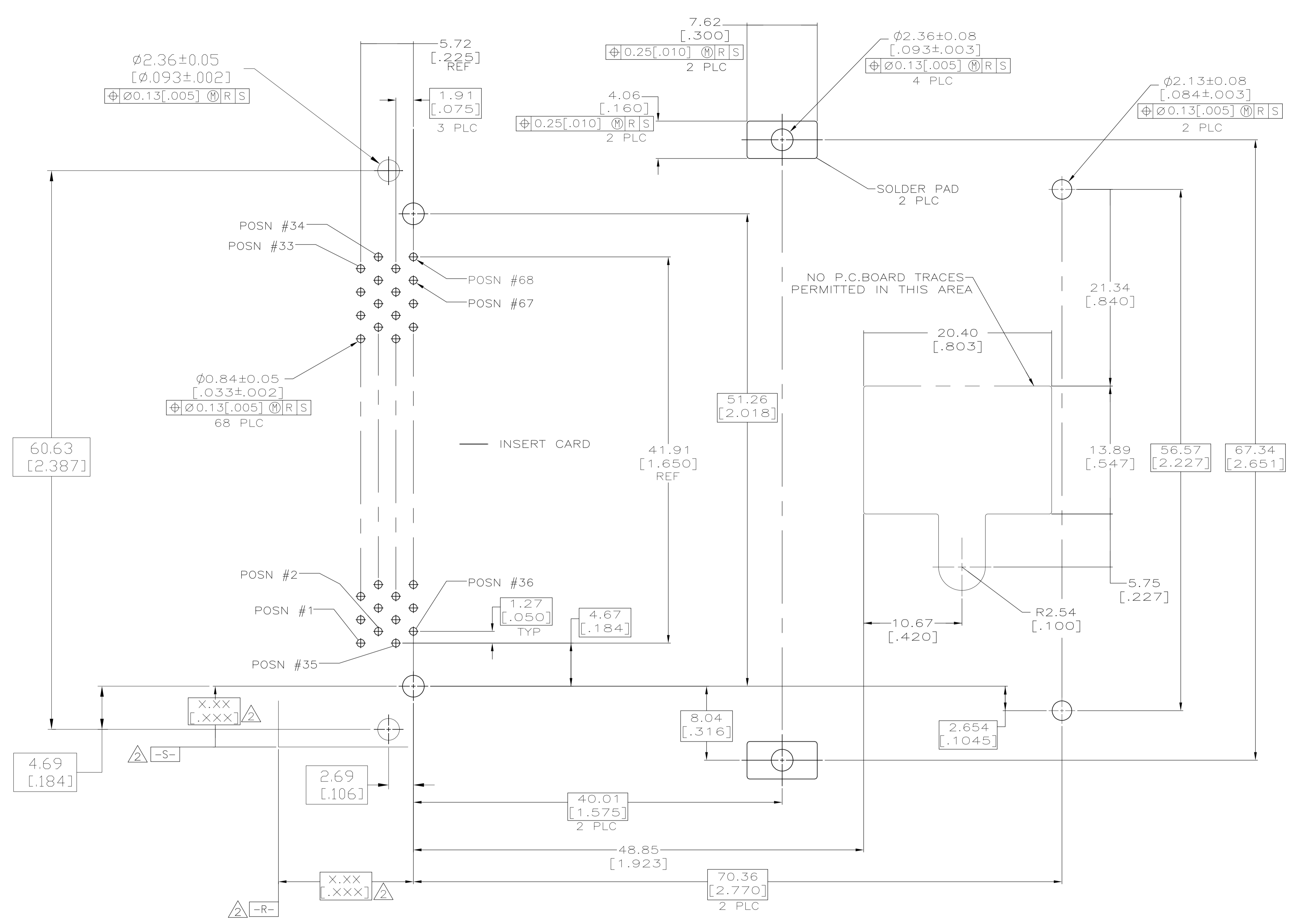
THIS DRAWING IS A CONTROLLED DOCUMENT.		DIN J MOSER 8/30/93	TE Connectivity
DIMENSIONS: mm [INCHES]		APVD B FLICKER 8/30/93	
TOLERANCES UNLESS OTHERWISE SPECIFIED:		NAME B FLICKER	CONNECTOR ASSY, PIN HEADER WITH LH EJECTOR, 68 POSN, TOP BD MTG, THRU-HOLE, AMP MEMORY CARD
0 PLC ± - 1 PLC ± - 2 PLC ± 0.13 [005] 3 PLC ± - 4 PLC ± - ANGLES ± -		PRODUCT SPEC	
MATERIAL 5		FINISH 1	SIZE A1
WEIGHT 24.4 GRAMS		CAGE CODE 00779	DRAWING NO. 146023
CUSTOMER DRAWING		SCALE 4:1	SHEET 1 OF 3 REV C



RECOMMENDED BOARD LAYOUT
146023-1

- 1. PIN FINISH: 0.00076[.000030] MINIMUM GOLD IN CONTACT AREA, 0.00381[.000150] MIN TIN-LEAD ON SOLDER TAILS, ALL OVER 0.00127[.000050] MINIMUM NICKEL.
- 2. DATUMS AND BASIC DIMENSIONS ESTABLISHED BY CUSTOMER.
- 3. CONNECTOR REQUIRES USE OF 4 - SIZE 2M SCREWS FOR FASTENING TO PRINTED CIRCUIT BOARD.
- 4. RECESSED AMP AND CSA LOGOS LOCATED ON BOTH SIDES OF HOUSING.
- 5. HOUSING MATERIAL: LCP, BLACK
GUIDE MATERIAL: LCP, BLACK
SHROUD MATERIAL: LCP, BLACK
BUTTON MATERIAL: LCP, BLACK
ORGANIZER MATERIAL: LCP, BLACK
PIN MATERIAL: BRASS
EJECTOR MATERIAL: STAINLESS STEEL
RAIL PLATE MATERIAL: STAINLESS STEEL
LEVER MATERIAL: STAINLESS STEEL.

THIS DRAWING IS A CONTROLLED DOCUMENT.		OWN: J. MOSER 8/30/93	TE Connectivity																				
DIMENSIONS: mm [INCHES]		CHK: B. ELICKER 8/30/93																					
TOLERANCES UNLESS OTHERWISE SPECIFIED:		APVD: B. ELICKER 8/30/93	NAME: CONNECTOR ASSY, PIN HEADER WITH LH EJECTOR, 68 POSN, TOP BD MTG, THRU-HOLE, AMP MEMORY CARD																				
<table border="1"> <tr><td>0 PLC</td><td>±</td><td>-</td></tr> <tr><td>1 PLC</td><td>±</td><td>-</td></tr> <tr><td>2 PLC</td><td>±</td><td>0.13 [0.005]</td></tr> <tr><td>3 PLC</td><td>±</td><td>-</td></tr> <tr><td>4 PLC</td><td>±</td><td>-</td></tr> <tr><td>ANGLES</td><td>-</td><td>-</td></tr> <tr><td>FINISH</td><td>-</td><td>-</td></tr> </table>		0 PLC		±	-	1 PLC	±	-	2 PLC	±	0.13 [0.005]	3 PLC	±	-	4 PLC	±	-	ANGLES	-	-	FINISH	-	-
0 PLC	±	-																					
1 PLC	±	-																					
2 PLC	±	0.13 [0.005]																					
3 PLC	±	-																					
4 PLC	±	-																					
ANGLES	-	-																					
FINISH	-	-																					
MATERIAL: -		APPLICATION SPEC: -	RESTRICTED TO: -																				
WEIGHT: -		SIZE: A1	CAGE CODE: 00779																				
CUSTOMER DRAWING		DRAWING NO: 146023	SCALE: 4:1																				
		SHEET: 2 OF 3	REV: C																				



RECOMMENDED BOARD LAYOUT
1-146023-1

THIS DRAWING IS A CONTROLLED DOCUMENT.		OWN J. MOSER 8/30/93	TE Connectivity																					
DIMENSIONS: mm [INCHES]		CHK B. ELICKER 8/30/93																						
TOLERANCES UNLESS OTHERWISE SPECIFIED:		APVD B. ELICKER 8/30/93	NAME CONNECTOR ASSY, PIN HEADER WITH LH EJECTOR, 68 POSN, TOP BD MTG, THRU-HOLE, AMP MEMORY CARD																					
<table border="1"> <tr><td>0 PLC</td><td>±</td><td>-</td></tr> <tr><td>1 PLC</td><td>±</td><td>-</td></tr> <tr><td>2 PLC</td><td>±</td><td>0.13 [0.005]</td></tr> <tr><td>3 PLC</td><td>±</td><td>-</td></tr> <tr><td>4 PLC</td><td>±</td><td>-</td></tr> <tr><td>ANGLES</td><td>±</td><td>-</td></tr> <tr><td>FINISH</td><td>-</td><td>-</td></tr> </table>		0 PLC	±	-	1 PLC	±	-	2 PLC	±	0.13 [0.005]	3 PLC	±	-	4 PLC	±	-	ANGLES	±	-	FINISH	-	-	PRODUCT SPEC APPLICATION SPEC	RESTRICTED TO
0 PLC	±	-																						
1 PLC	±	-																						
2 PLC	±	0.13 [0.005]																						
3 PLC	±	-																						
4 PLC	±	-																						
ANGLES	±	-																						
FINISH	-	-																						
MATERIAL		WEIGHT	SIZE A1																					
		CUSTOMER DRAWING	SCALE 4:1 SHEET 3 OF 3 REV C																					